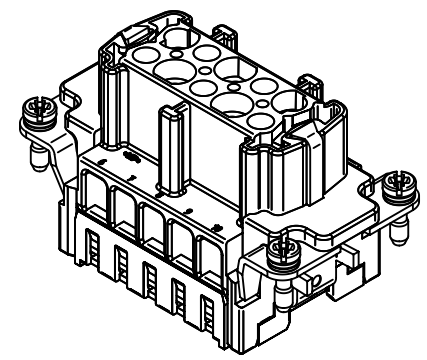
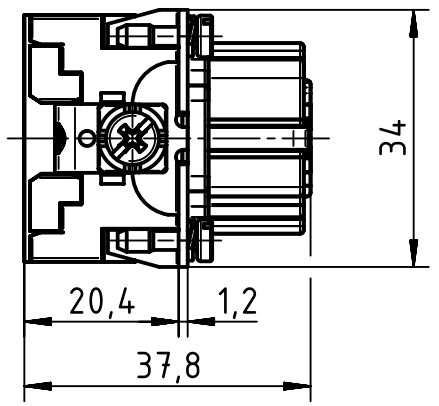
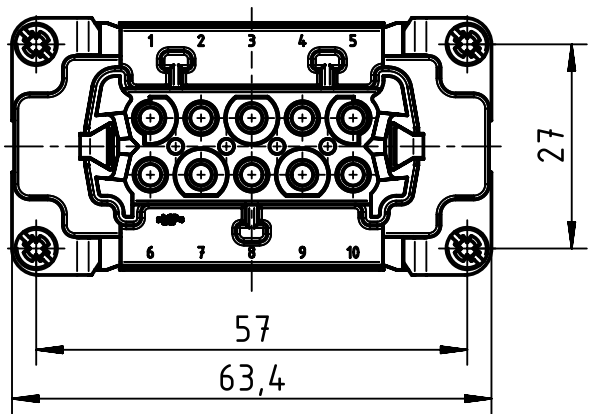


A

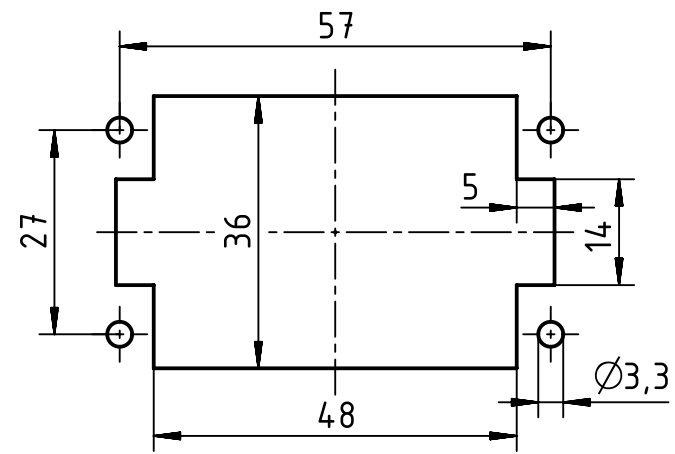
B

C

D



panel cut out



	All Dimensions in mm Original Size DIN A4		Scale 1:1	Free size tol.		Ref.
	All rights reserved Department EL PD - DE		Created by HOLLERT	Inspected by PRIESTER	Standardisation TIEMANNA	Sub.
HARTING Electric GmbH & Co. KG D-32339 Espelkamp			Title Han High Temp 10E Crimp Female			Date 2016-08-31
			Type TB	Number 09 33 810 2704		State Final Release
						Doc-Key / ECM-Nr. 100627362/UGD/001/A 500000105233
						Rev. A
						Page 1/1