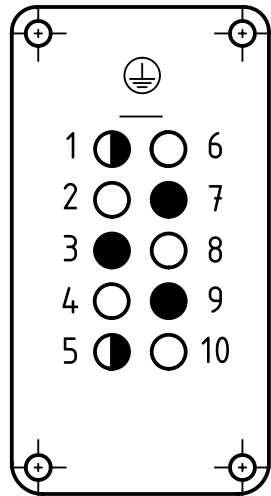
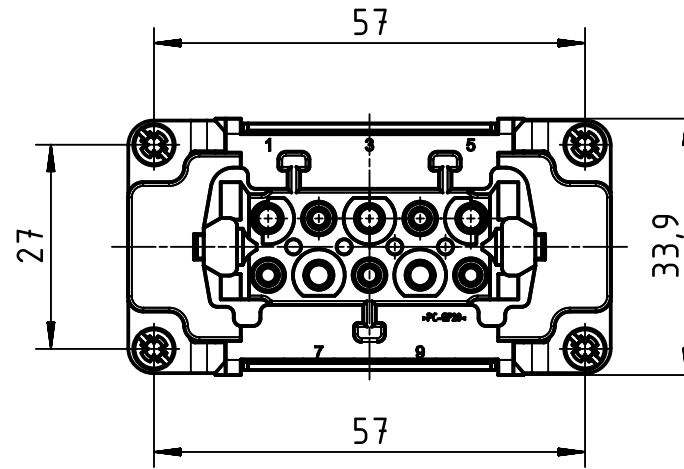


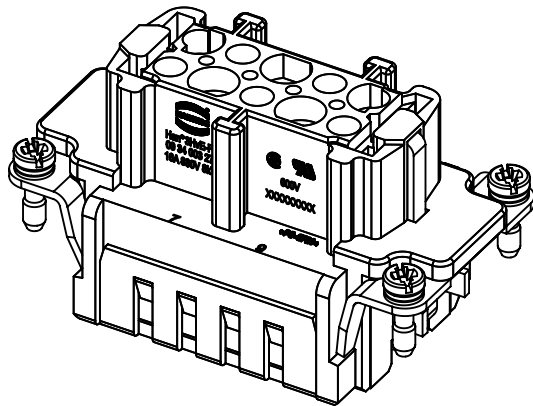
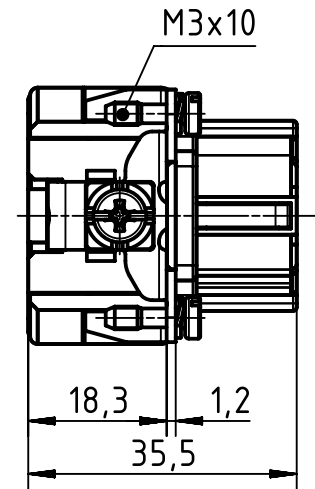
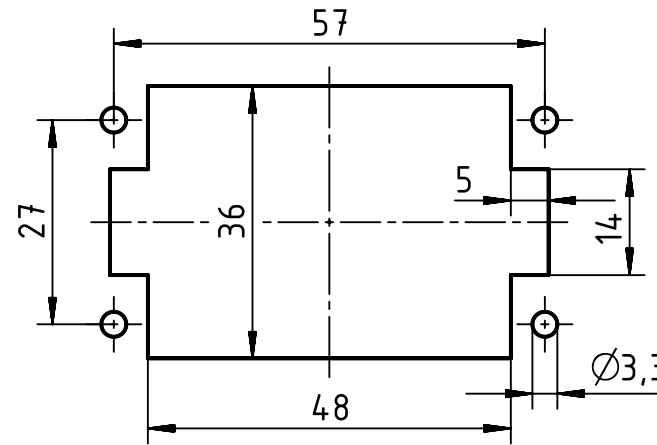
contact arrangement
(view from terminal side)



- working contacts
- ◐ relay contacts
- without contacts



panel cut out



	All rights reserved Department EL PD - DE	All Dimensions in mm Original Size DIN A4		Scale 1:1	Free size tol.	Ref.
		HARTING Electric GmbH & Co. KG D-32339 Espelkamp	Created by HELLMANN	Inspected by NICHTERLEIN	Standardisation TIEMANNA	Date 2017-09-05
Title Han 3HvE-F-c						Doc-Key / ECM-Nr. 100117903/UGD/005/A 500000124505
Type TB				Number 09 34 003 2702		Rev. A
						Page 1/1