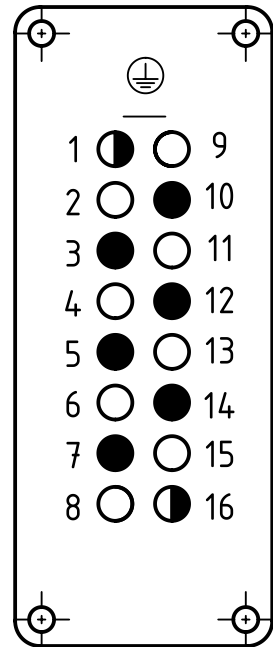
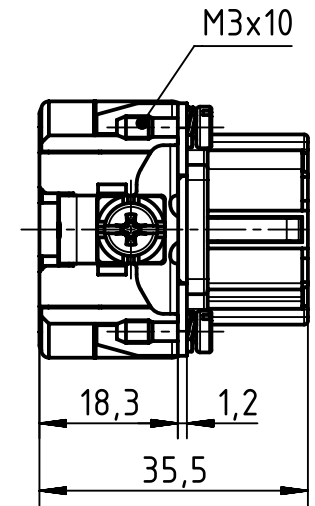
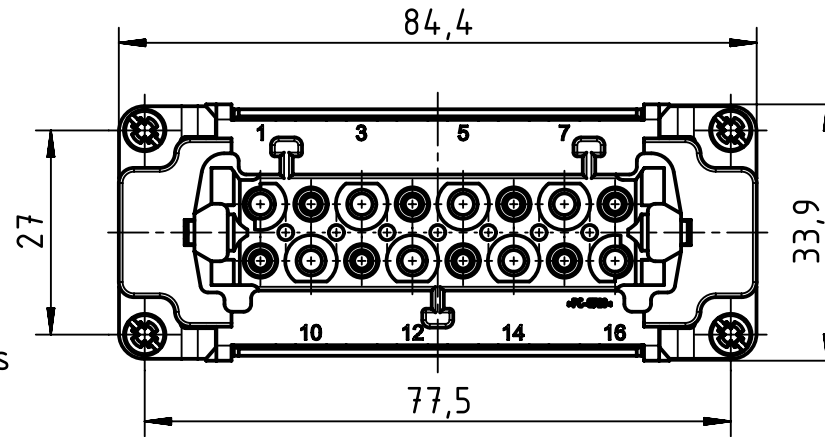


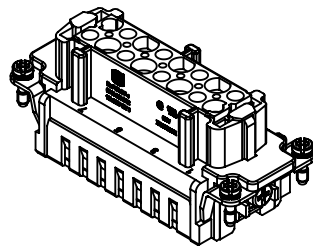
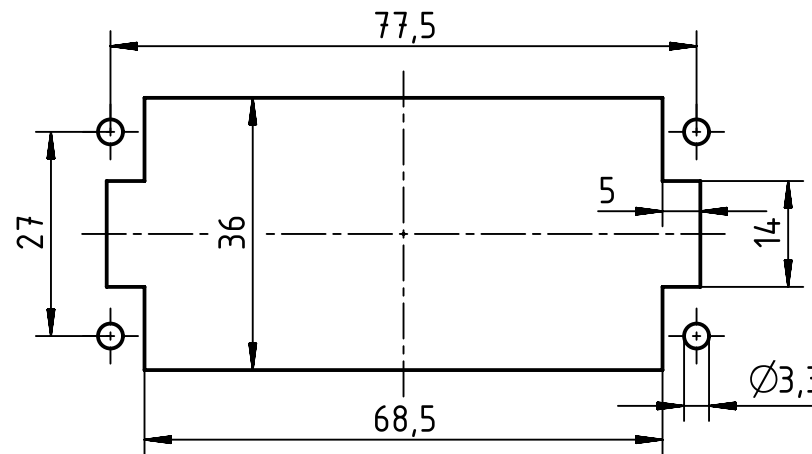
contact arrangement
(view from terminal side)



- working contacts
- ◐ relay contacts
- without contacts



panel cut out



	All rights reserved Department EL PD - DE	All Dimensions in mm Original Size DIN A4		Scale 1:1	Free size tol.	Ref.
		Created by KLASSENP	Inspected by NICHTERLEIN	Standardisation TIEMANNA	Date 2017-08-29	State Final Release
HARTING Electric GmbH & Co. KG D-32339 Espelkamp		Title Han 6HvE-F-c			Doc-Key / ECM-Nr. 100124725/UGD/005/B 500000124613	
		Type TB	Number 09 34 006 2702		Rev. B	Page 1/1