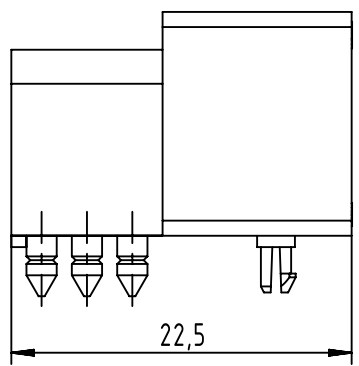
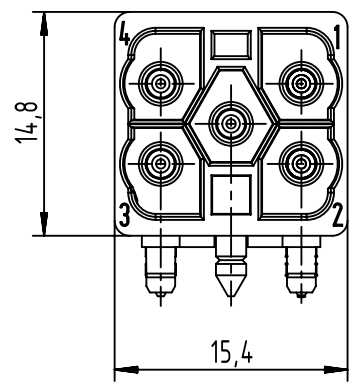


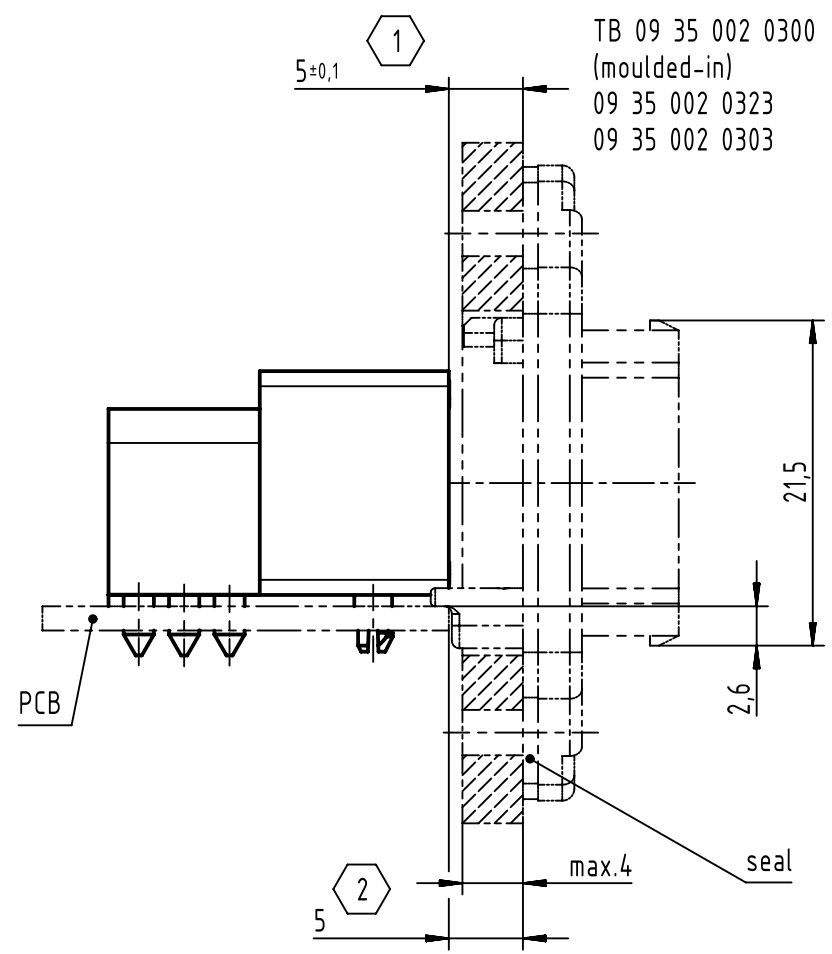
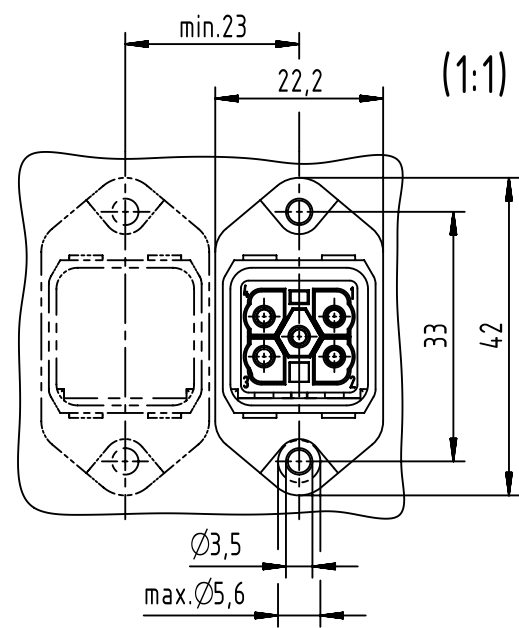
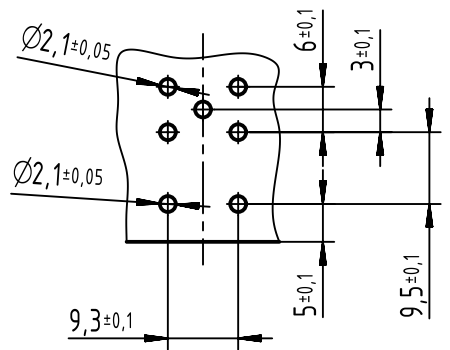
1 2 3 4 5 6

A



B

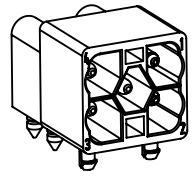
PCB-layout
(1:1)



TB 09 35 002 0300
(moulded-in)
09 35 002 0323
09 35 002 0303

D

1 related to ISK
2 related to PCB



	All Dimensions in mm Original Size DIN A4		Scale 2:1	Free size tol.		Ref. Sub. TB 09 35 002 3003 / 35946 / 09.12.2009		
	All rights reserved Department EC PD - DE		Created by ELLERMANN	Inspected by TADJE	Standardisation HOFFMANN	Date 2015-07-06	State Final Release	
HARTING Electronics GmbH D-32339 Espelkamp			Title Han PP V14 Power 4_0 male insert solder angled				Doc-Key / ECM-Nr. 100184.022/UGD/001/B 500000091195	
			Type TB	Number 09350023003			Rev. B	Page 1/1