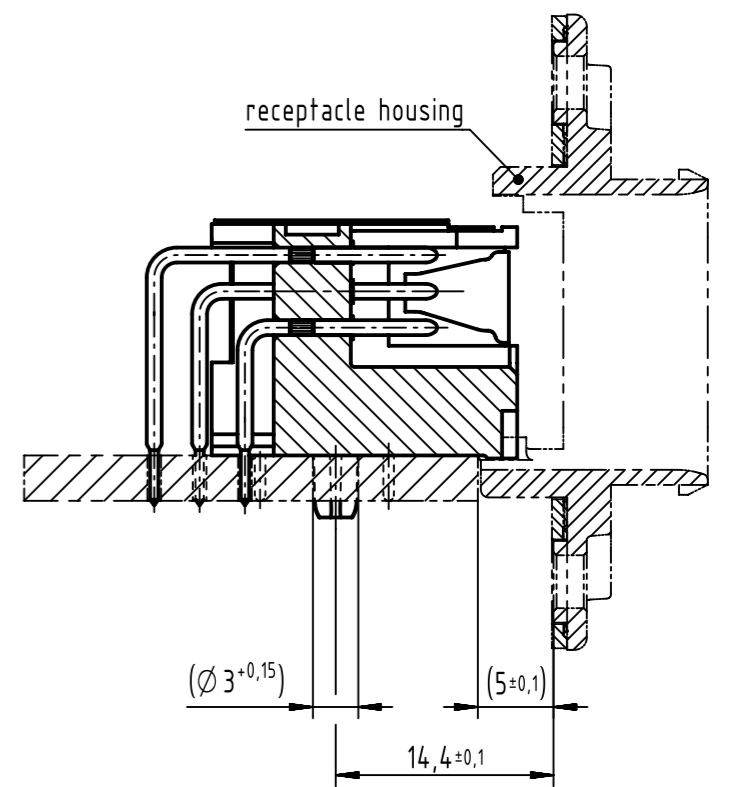
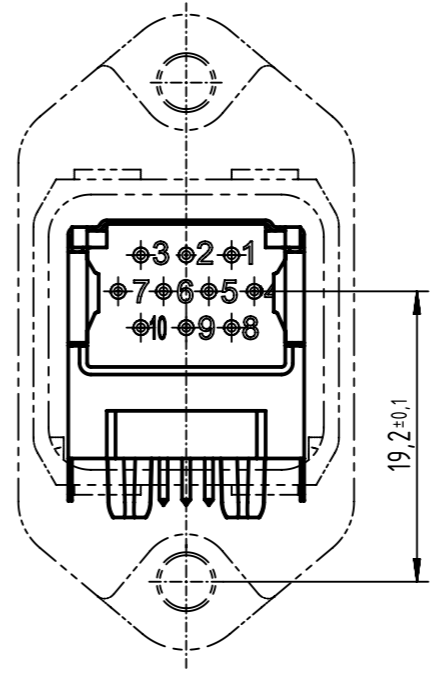
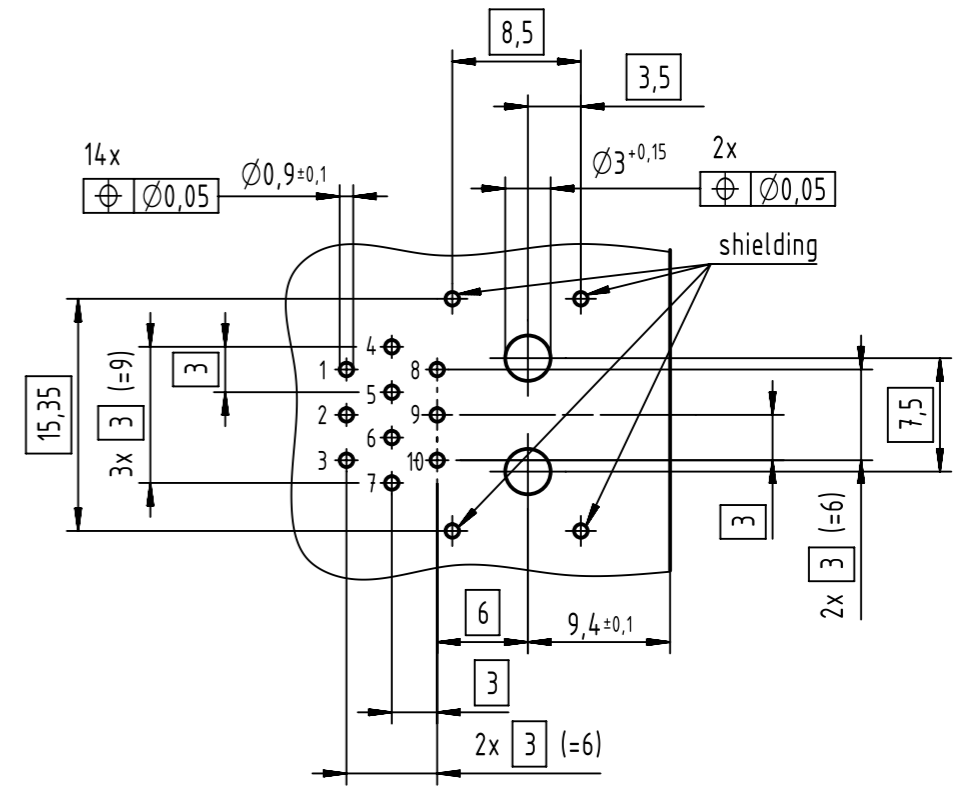


PCB layout (top side)



further information see: DS 09450000901

	All rights reserved Department EC PD - DE	Created by HASELOH	Inspected by LUETTERMANN	Standardisation HOFFMANN	Date 2015-06-09	State Final Release	Ref. Sub. TB 09350026001 / ECM 500000081019 / 2015-02-10
	HARTING Electronics GmbH D-32339 Espelkamp	Title Han PP V14 Signal THT insert 10-pole angled			Type TB	Number 09350026001	Doc-Key / ECM-Nr. 100548726/UGD/005/F 500000089932
						Rev. F	Page 1/1