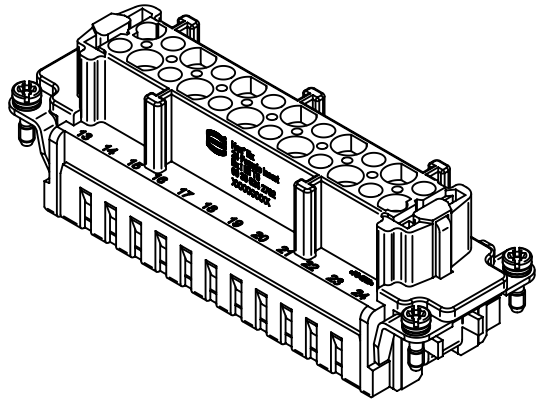
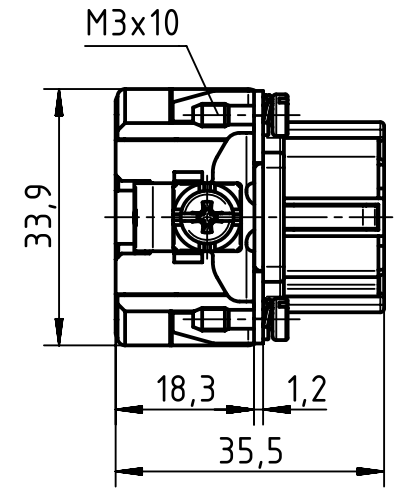
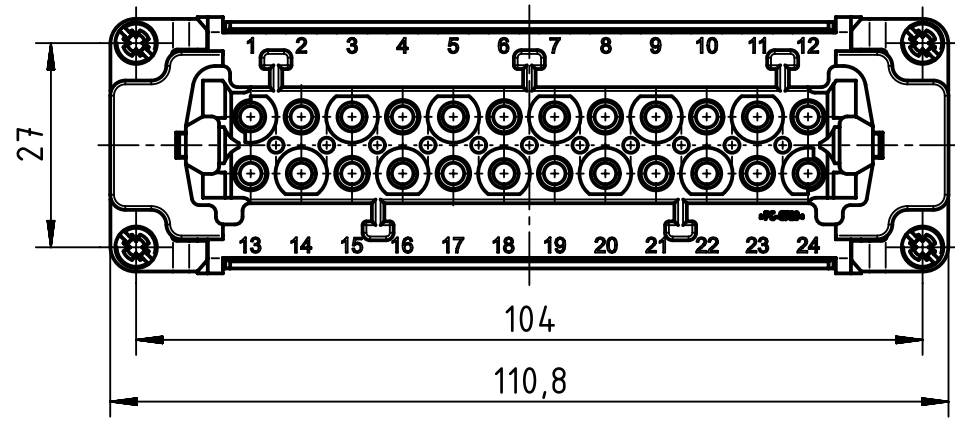
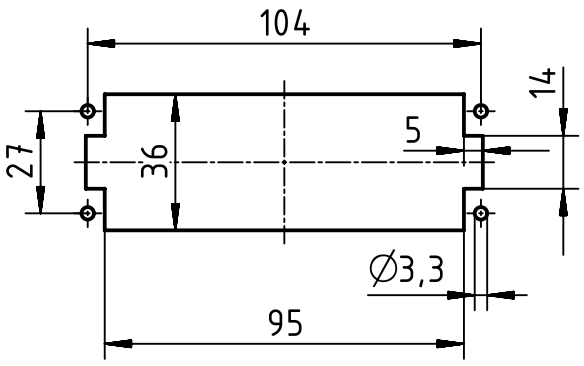


1 2 3 4 5 6

panel cut out (1:2)



	All Dimensions in mm Original Size DIN A4	Scale 1:1			Free size tol.		Ref.
		Created by KLASSEN P			Inspected by BERGHORN	Standardisation RUETERA	Date 2017-04-13
	All rights reserved Department EL PD - DE	Title Han 24Ex-F-c				Doc-Key / ECM-Nr. 100620395/UGD/001/B 500000117434	
		HARTING Electric GmbH & Co. KG D-32339 Espelkamp		Type TB	Number 09 36 024 2702		Rev. B