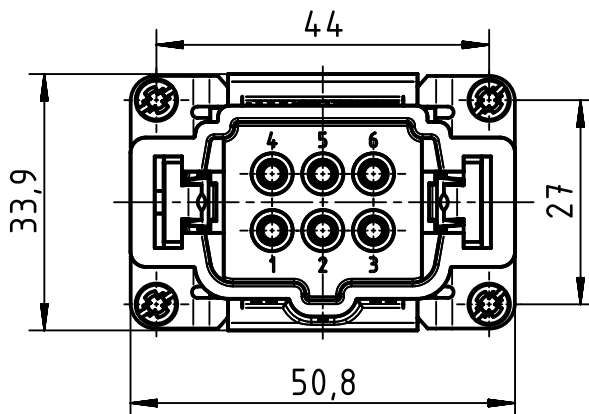


M3x10

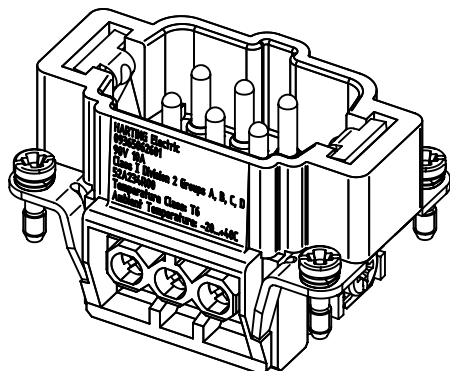
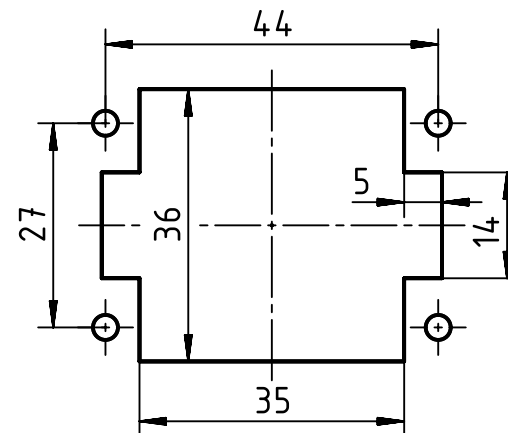


FOR USE WITH HAN 6E SCREW: AWG 14  
 FOR USE WITH Cable Type:  
 PLTC, PLTC-ER, ITC, ITC-ER, MC, MV, AND TC  
 FOR USE IN CLASS I, DIVISION 2 GROUPS A, B, C AND D  
 HAZARDOUS LOCATIONS OR UNCLASSIFIED LOCATIONS

THE INSTALLATION MUST BE IN ACCORDANCE WITH THE ASSOCIATED LOCATION RESTRICTIONS OF THE NATIONAL ELECTRICAL CODE OR CANADIAN ELECTRICAL CODE AS APPLICABLE, INCLUDING ISSUES SUCH AS THE ROUTING, SUPPORT AND LENGTH OF THE INVOLVED CORD OR CABLE.

WARNING  
 EXPLOSION HAZARD  
 DO NOT CONNECT  
 OR DISCONNECT  
 UNDER LOAD!

panel cut out



|   |  |  |                         |                          |                             |  |
|---|--|--|-------------------------|--------------------------|-----------------------------|--|
|   | All Dimensions in mm<br>Original Size DIN A4 |  | Scale<br>1:1            | Free size tol.           |                             | Ref.   |
|   |  |  |                         |                          |                             | Sub.   |
|   | All rights reserved                          |  | Created by<br>FINKEV    | Inspected by<br>BERGHORN | Standardisation<br>TIEMANNA | Date<br>2016-05-13                                       |
|   | Department EL PD - DE                        |  |                         |                          |                             | State<br>Final Release                                   |
| HARTING Electric GmbH & Co. KG<br>D-32339 Espelkamp |  |  | Title<br>Han 6EX UL-M-S |                          |                             | Doc-Key / ECM-Nr.<br>100669622/UGD/002/B<br>500000104404 |
|   |  |  | Type<br>TB              | Number<br>09 36 506 2601 |                             | Rev. B<br>Page 1/1                                       |