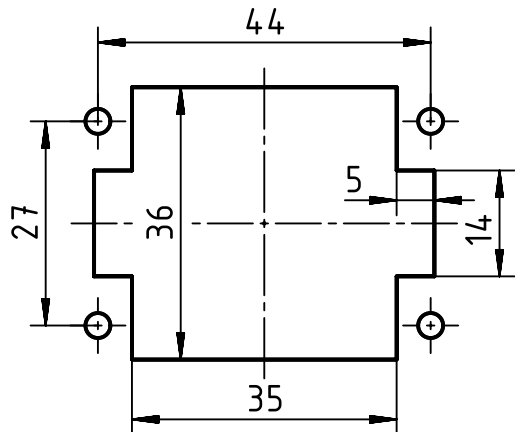


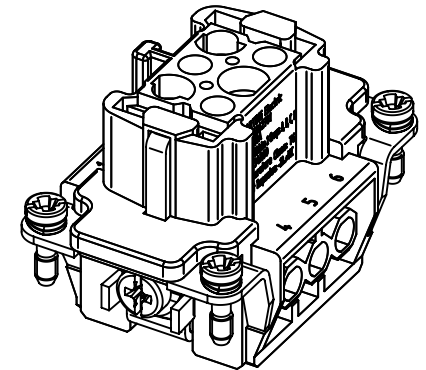
panel cut out



FOR USE WITH HAN 6E SCREW: AWG 14
 FOR USE WITH Cable Type:
 PLTC, PLTC-ER, ITC, ITC-ER, MC, MV, AND TC
 FOR USE IN CLASS I, DIVISION 2 GROUPS A, B, C AND D
 HAZARDOUS LOCATIONS OR UNCLASSIFIED LOCATIONS

THE INSTALLATION MUST BE IN ACCORDANCE WITH THE ASSOCIATED LOCATION RESTRICTIONS OF THE NATIONAL ELECTRICAL CODE OR CANADIAN ELECTRICAL CODE AS APPLICABLE, INCLUDING ISSUES SUCH AS THE ROUTING, SUPPORT AND LENGTH OF THE INVOLVED CORD OR CABLE.

**WARNING
 EXPLOSION HAZARD
 DO NOT CONNECT
 OR DISCONNECT
 UNDER LOAD!**



	All Dimensions in mm Original Size DIN A4	Scale 1:1	Free size tol.		Ref.	
	All rights reserved Department EL PD - DE	Created by FINKEV	Inspected by BERGHORN	Standardisation TIEMANNA	Date 2016-05-13	State Final Release
HARTING Electric GmbH & Co. KG D-32339 Espelkamp		Title Han 6Ex UL-F-s			Doc-Key / ECM-Nr. 100669978/UGD/002/B 500000104404	
		Type TB	Number 09 36 506 2701		Rev. B	Page 1/1