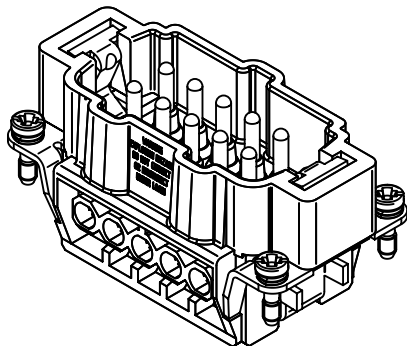
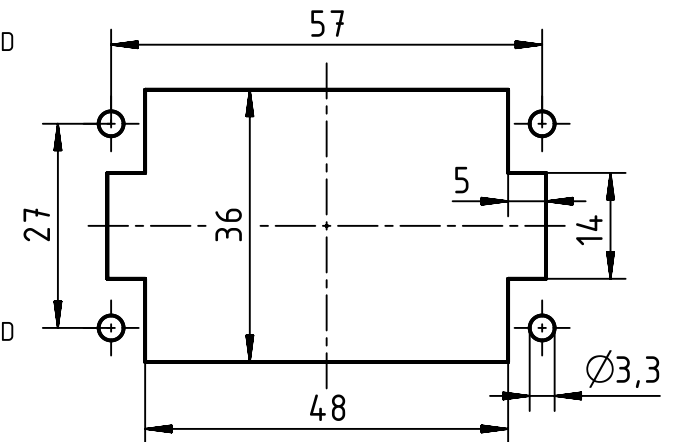


FOR USE WITH HAN 10E SCREW: AWG 14
 FOR USE WITH Cable Type:
 PLTC, PLTC-ER, ITC, ITC-ER, MC, MV, AND TC
 FOR USE IN CLASS I, DIVISION 2 GROUPS A, B, C AND D
 HAZARDOUS LOCATIONS OR UNCLASSIFIED LOCATIONS

THE INSTALLATION MUST BE IN ACCORDANCE WITH THE ASSOCIATED LOCATION RESTRICTIONS OF THE NATIONAL ELECTRICAL CODE OR CANADIAN ELECTRICAL CODE AS APPLICABLE, INCLUDING ISSUES SUCH AS THE ROUTING, SUPPORT AND LENGTH OF THE INVOLVED CORD OR CABLE.

WARNING
 EXPLOSION HAZARD
 DO NOT CONNECT
 OR DISCONNECT
 UNDER LOAD!

panel cut out



	All Dimensions in mm Original Size DIN A4		Scale 1:1	Free size tol.		Ref.
	All rights reserved Department EL PD - DE		Created by FINKEV	Inspected by BERGHORN	Standardisation RUETERA	Date 2017-12-01
HARTING Electric GmbH & Co. KG D-32339 Espelkamp		Title Han 10Ex UL-M-s			Doc-Key / ECM-Nr. 100669628/UGD/001/D 500000128705	
		Type TB	Number 09 36 510 2601		Rev. D	Page 1/1