

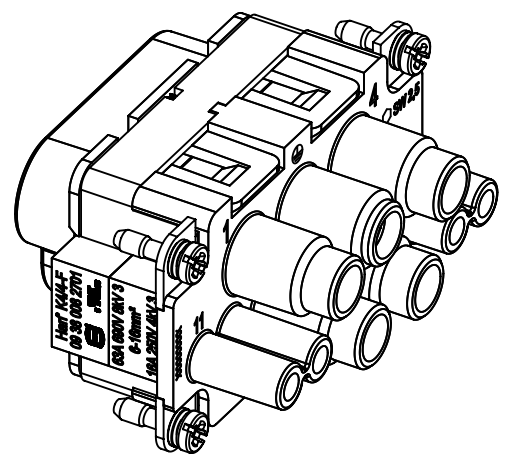
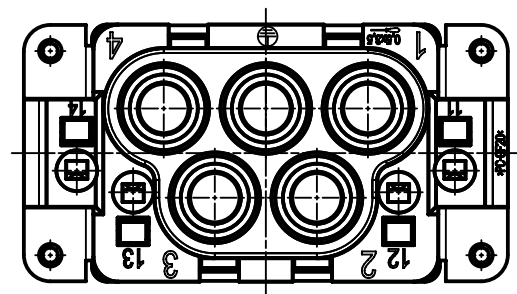
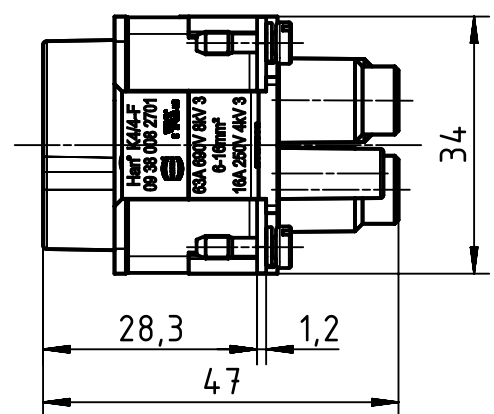
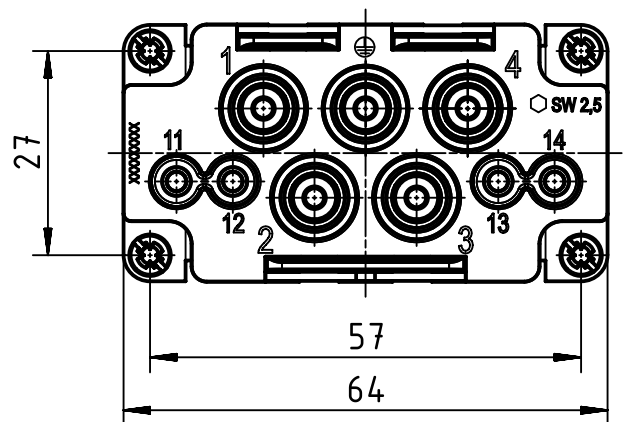
1 2 3 4 5 6

A

B

C

D



	All Dimensions in mm Original Size DIN A4	Scale 1:1		Free size tol.		Ref.	
						Sub.	
	All rights reserved Department EL PD - DE	Created by HELLMANN	Inspected by NICHTERLEIN	Standardisation SCHMIDTM	Date 2017-06-30	State Final Release	
		Title Han K4/4-F 6-16mm ² Finger prot					Doc-Key / ECM-Nr. 100169813/UGD/004/C 500000121121
HARTING Electric GmbH & Co. KG D-32339 Espelkamp		Type TB	Number 09 38 008 2701			Rev. C	Page 1/1