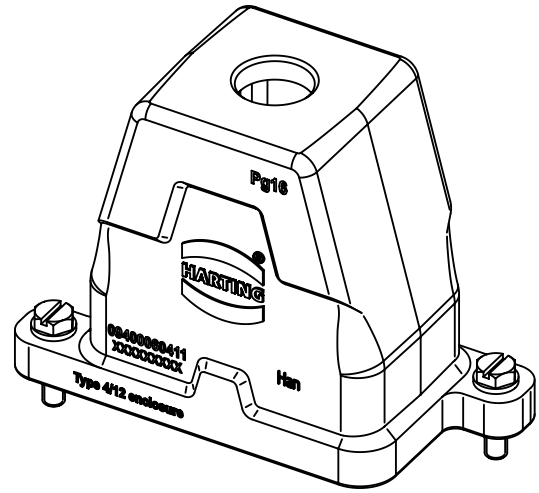
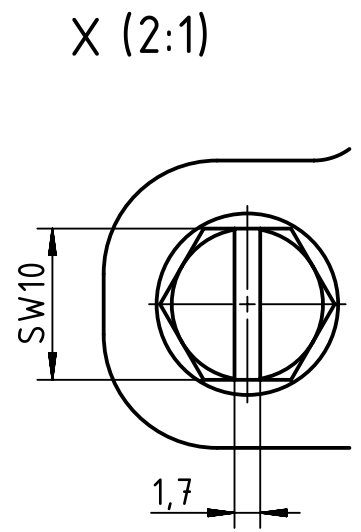
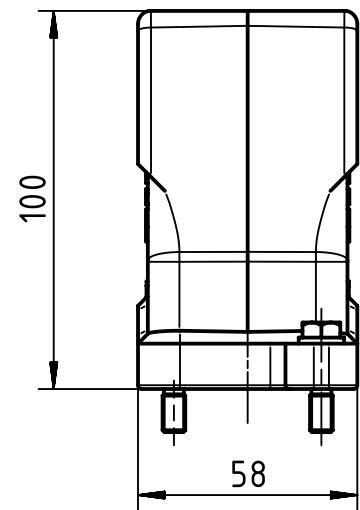
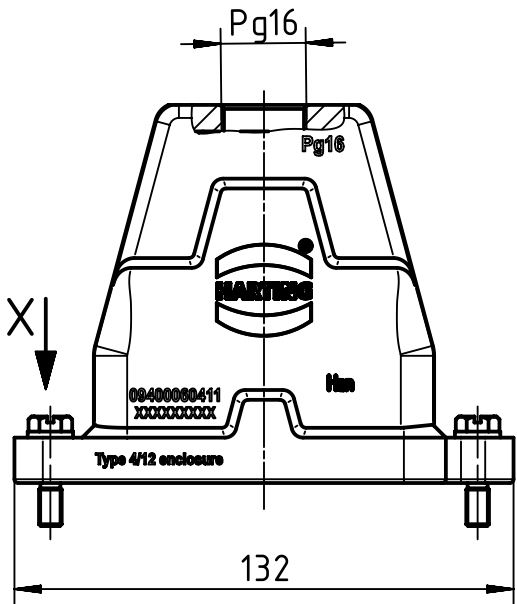


A

B

C

D



	All Dimensions in mm Original Size DIN A4		Scale 1:2	Free size tol.		Ref.	
						Sub.	
	All rights reserved		Created by FINKEV	Inspected by GERB	Standardisation TIEMANNA	Date 2015-11-13	State Final Release
	Department EL PD - DE		Title Han 6HPR-gg-SV-16			Doc-Key / ECM-Nr. 100208589/UGD/004/B 500000094.074	
HARTING Electric GmbH & Co. KG D-32339 Espelkamp			Type TB	Number 09 40 006 0411		Rev. B	Page 1/1