

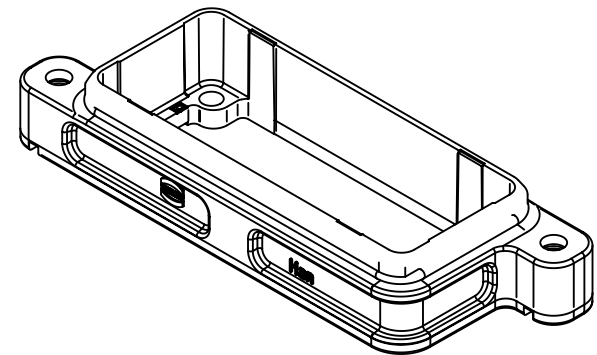
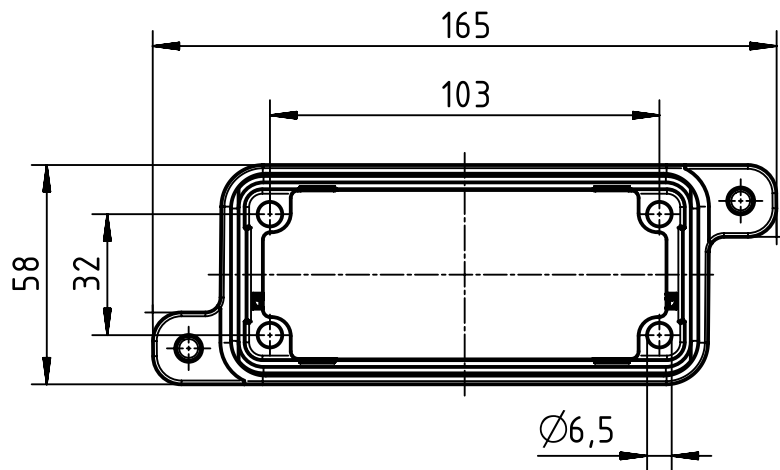
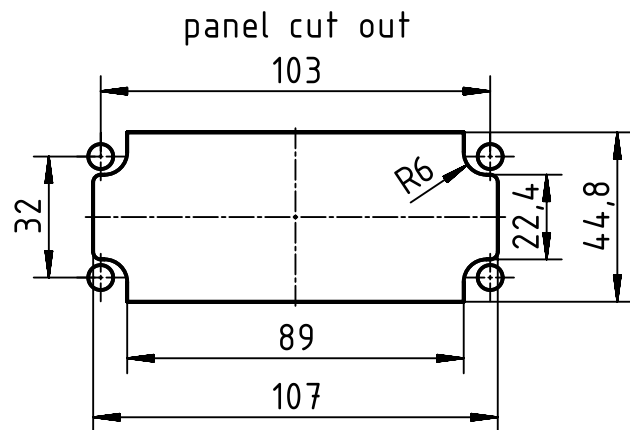
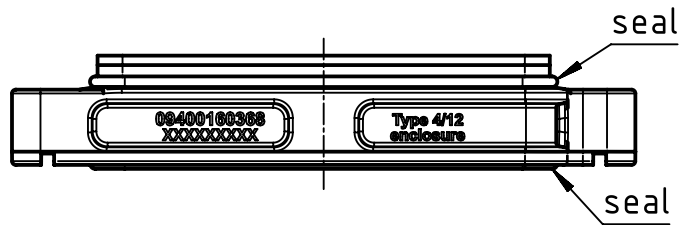
1 2 3 4 5 6

A

B

C

D



	All Dimensions in mm Original Size DIN A4		Scale 1:2	Free size tol.		Ref.	
						Sub.	
	All rights reserved		Created by FINKEV	Inspected by BERGHORN	Standardisation RUETERA	Date 2018-02-02	State Final Release
	Department EL PD - DE		Title Han 16HPR-enlarged-HBM-SL			Doc-Key / ECM-Nr. 100209321/UGD/004/C 500000130904	
HARTING Electric GmbH & Co. KG D-32339 Espelkamp			Type TB	Number 09 40 016 0368		Rev. C	Page 1/1