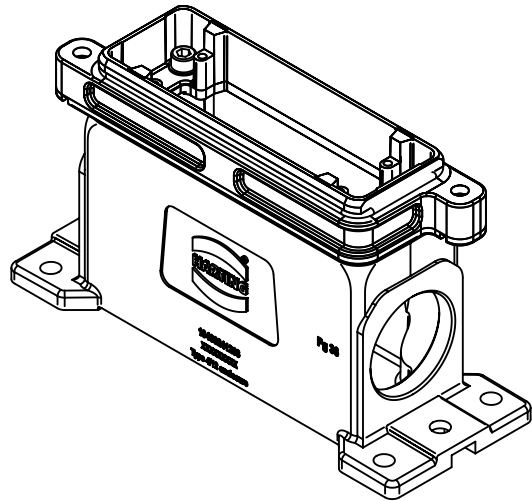
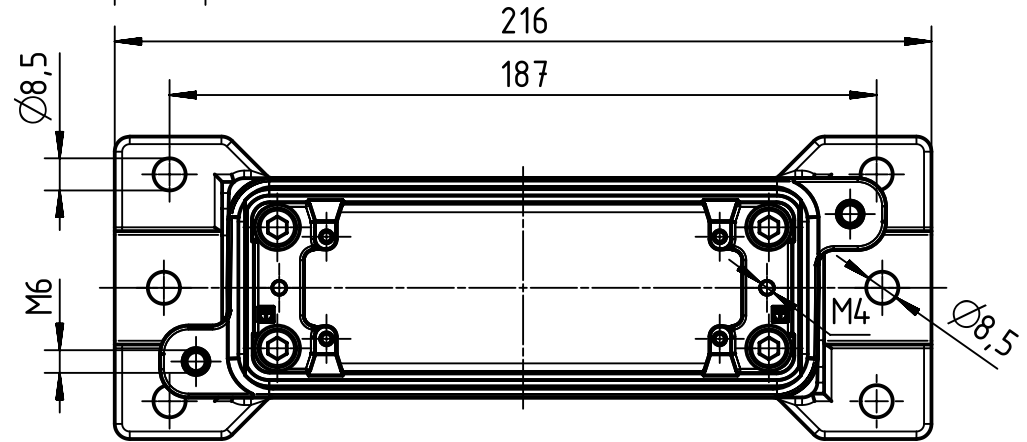
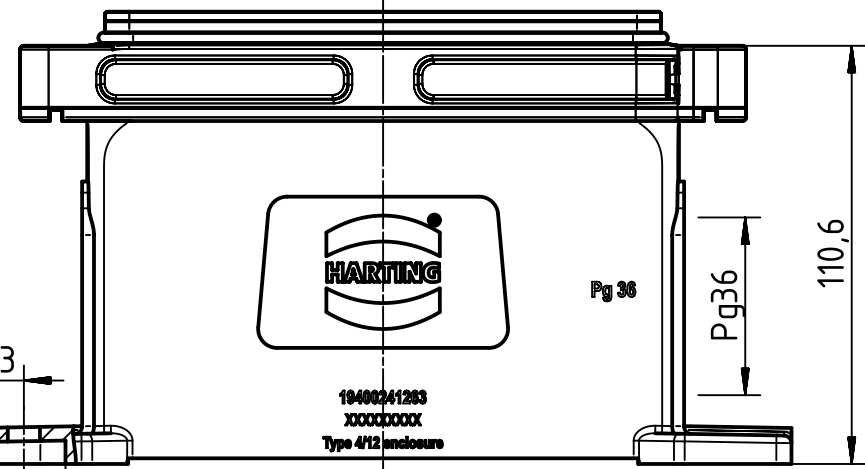
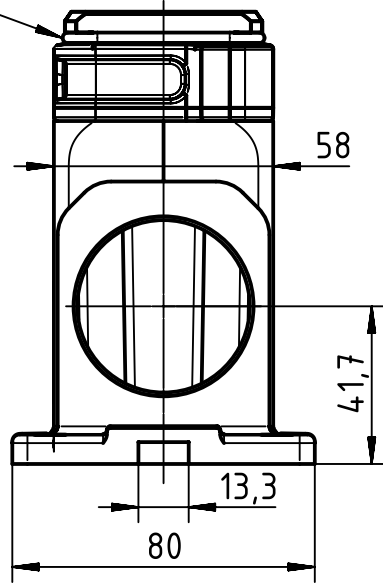


seal



| | | | | | | | |
|---|--|--|--|---------------------------|-----------------------------|--------------------|--|
| | All Dimensions in mm Original Size DIN A4 | | Scale 1:2 | Free size tol. | | Ref. | |
| | | | | | | Sub. | |
| | All rights reserved | | Created by GERB | Inspected by SCHNIEDER | Standardisation TIEMANNA | Date 2016-12-12 | State Final Release |
| | Department EL PD - DE | | Title Han 24HPR-HSM-1x36-Screw Lock | | | | Doc-Key / ECM-Nr. 100212736/UGD/004/D 500000110618 |
| HARTING Electric GmbH & Co. KG D-32339 Espelkamp | | | Type TB | Number 09 40 024 1263 | | Rev. D | Page 1/1 |