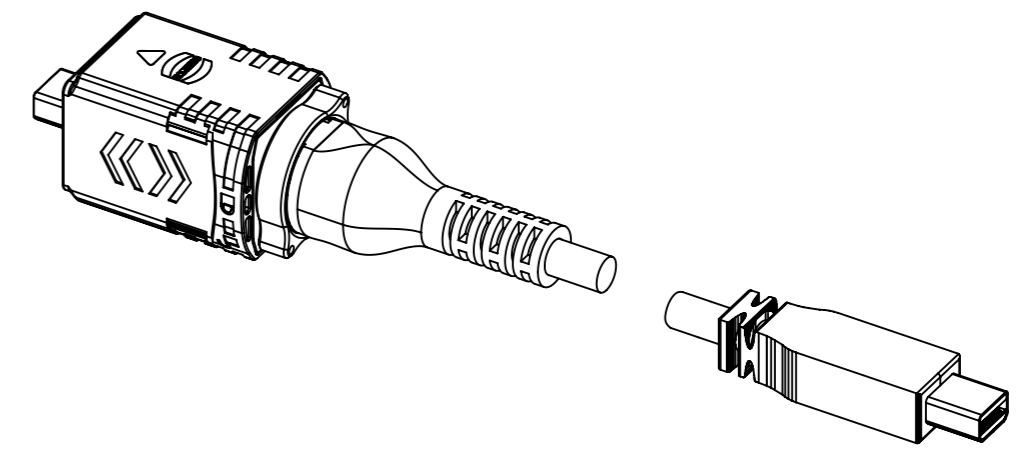
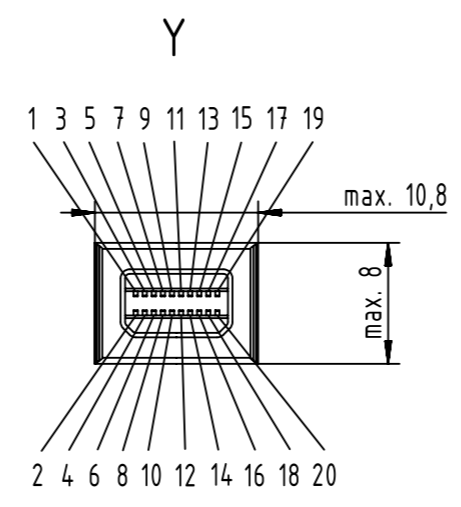
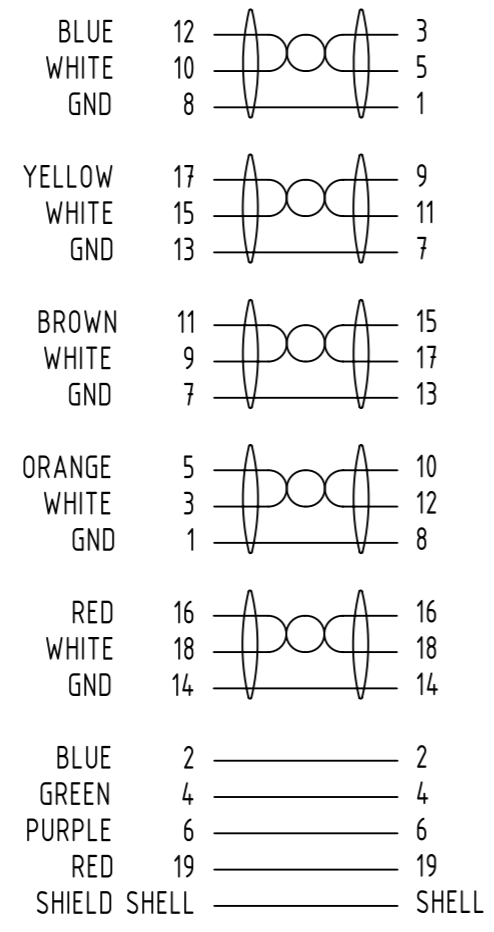


loading plan



further information see: DS 0945000001

no.	part number	description	length a [mm]
5	09451451014	HARTING PushPull Mini DisplayPort cable, PushPull - IP20, 3.0m	3000 ± 50
4	09451451013	HARTING PushPull Mini DisplayPort cable, PushPull - IP20, 2.0m	2000 ± 50
3	09451451012	HARTING PushPull Mini DisplayPort cable, PushPull - IP20, 1.5m	1500 ± 50
2	09451451011	HARTING PushPull Mini DisplayPort cable, PushPull - IP20, 1.0m	1000 ± 50
1	09451451010	HARTING PushPull Mini DisplayPort cable, PushPull - IP20, 0.5m	500 ± 30

	All rights reserved	Created by ZWAHR	Inspected by ELLERMANN	Standardisation HOFFMANN	Date 2018-05-02	State Final Release
	Department EL PD	Title HARTING PushPull Mini DisplayPort cable, PP - IP20				Doc-Key / ECM-Nr. 100688321/UGD/003/E 500000133616
HARTING Electronics GmbH D-32339 Espelkamp		Type TB	Number 0945145101X		Rev. E	Page 1/1