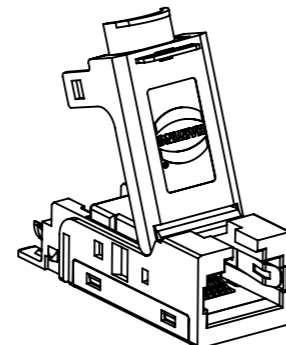
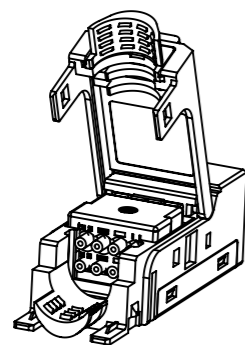
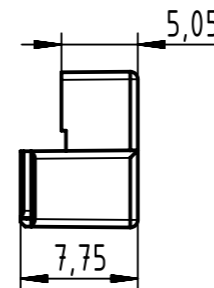
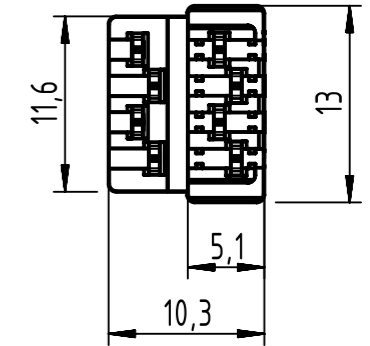
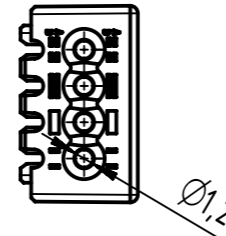
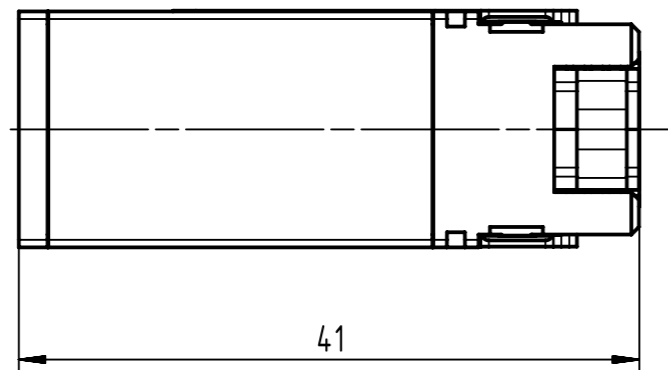
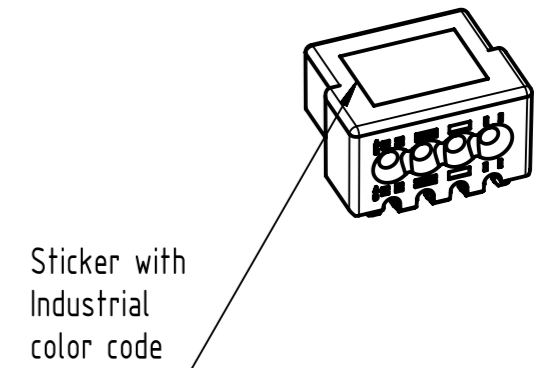
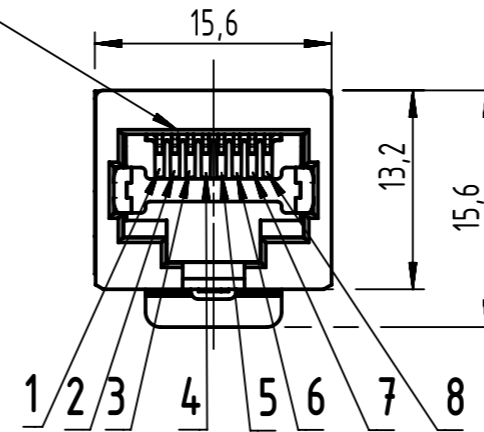


RJ45 mating face according to IEC 60603-7



	All rights reserved Department EL PD HARTING Electronics GmbH D-32339 Espelkamp	All Dimensions in mm Original Size DIN A3		Scale 2:1	Free size tol.	Ref. Sub.
		Created by FARCASIU	Inspected by TAMAS	Standardisation HOFFMANN	Date 2018-08-14	State Final Release
		Title RJ45 10G Cat.6, 8p jack IDC AWG28-24				Doc-Key / ECM-Nr. 10029920/UGD/003/D 500000138791
		Type TB	Number 09455451561		Rev. D	Page 1/1