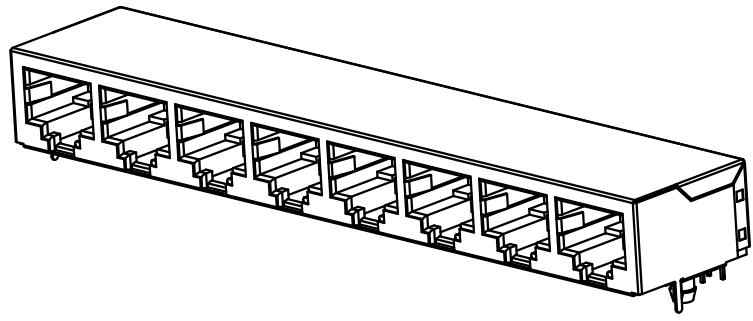
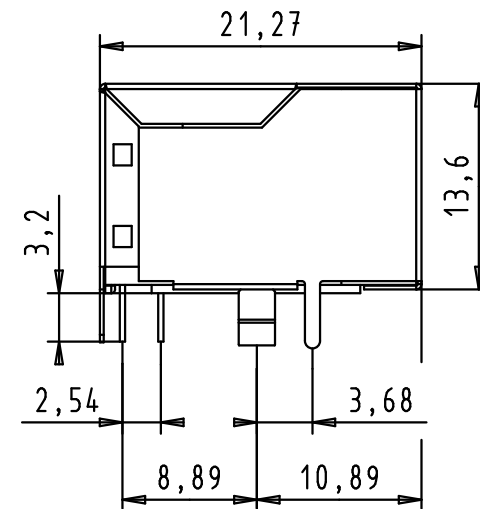
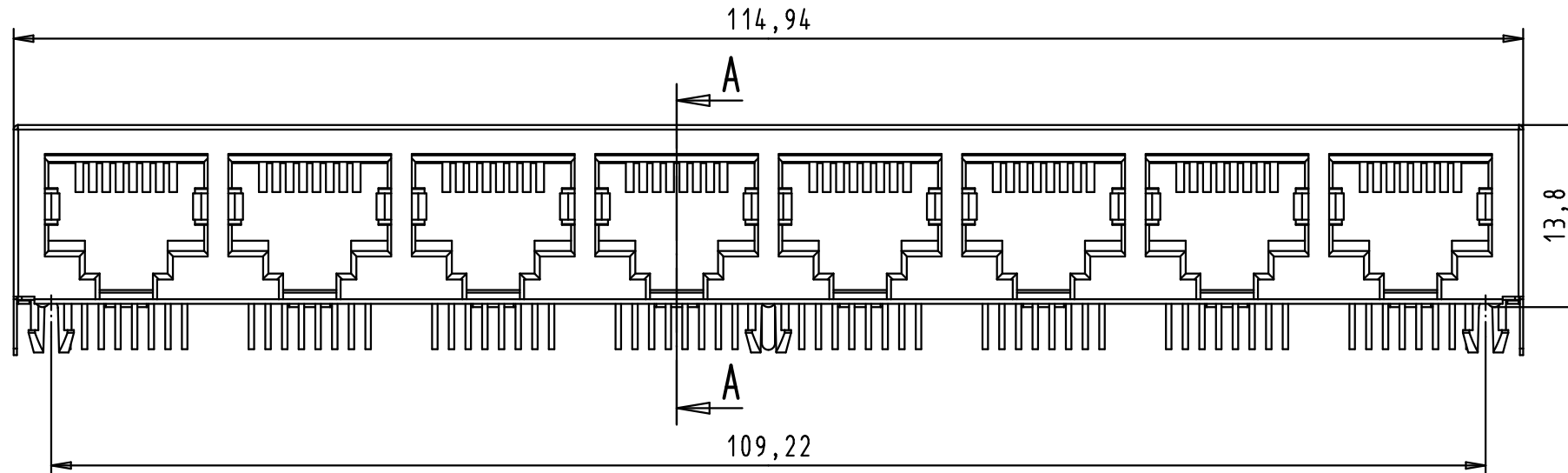
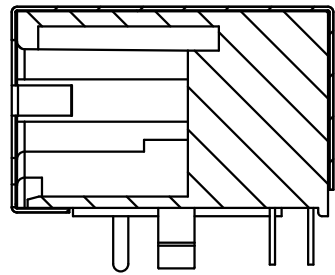
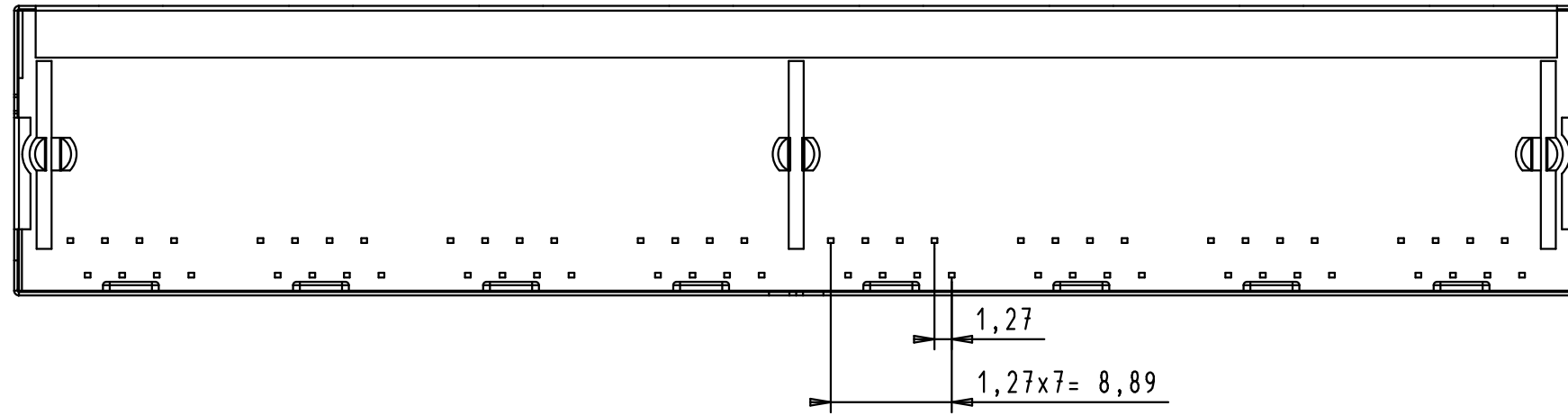
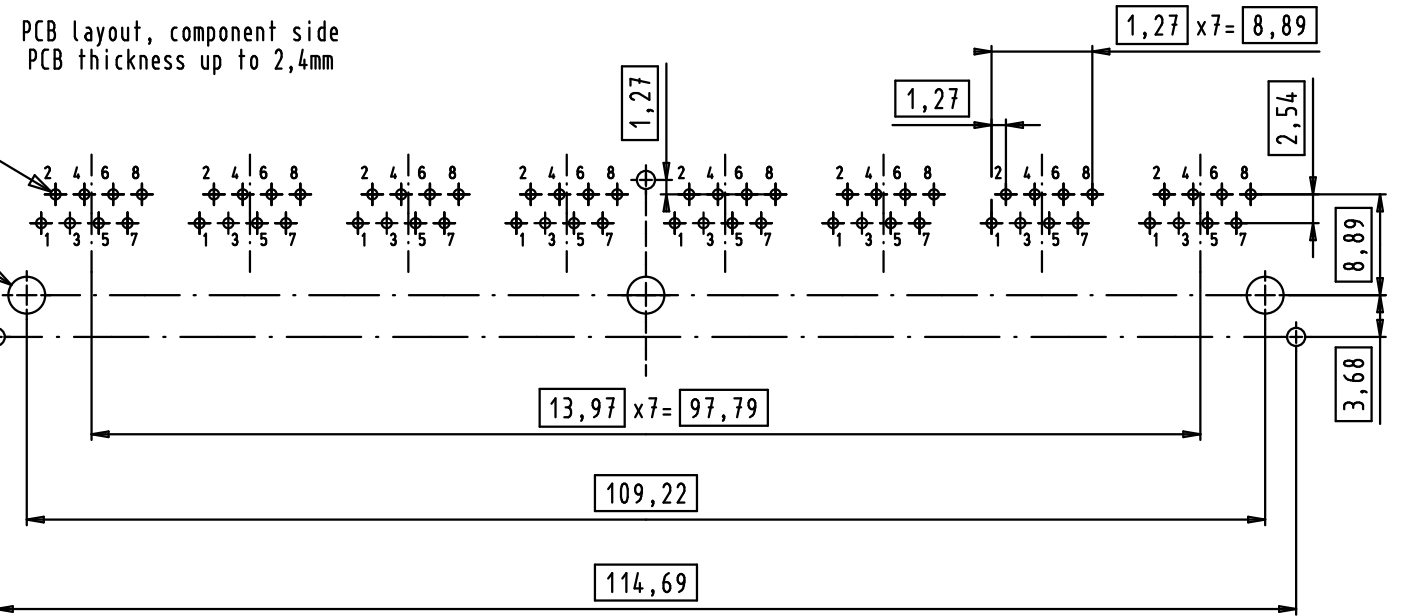


Alle Rechte vorbehalten/ All rights reserved



PCB layout, component side
PCB thickness up to 2,4mm

- 64 x $\varnothing 0,9 \pm 0,1$
 $\varnothing 0,05$
- 3 x $\varnothing 3,25 \pm 0,05$
 $\varnothing 0,05$
- 3 x $\varnothing 1,6 \pm 0,1$
 $\varnothing 0,05$



Material:
Shielding: brass plating nickel alloy
Insert: Thermoplastic, UL-94-V0, black
Contact: -Phosphor Bronze, selective gold plating
 -15u" over nickel in contact area
 -Tin plating over nickel in solder area

All Dimensions in mm Original Size DIN A 3			Techn. Character.			Nicht tolerierte Maßel Free size tolerances			
			Dat.	Name	Maßstab/Scale	HARTING RJ Industrial® 8-ports modular RJ 45 Jack with 8x8 signal solder pins and 3 grounding solder pins			
			Detail.	09/DEC/11					BH
			Insp.	12/JAN/11					JB
36299	20/04/12	SD	Stand.		2:1	TB 09 45 551 1128 Sub.			
EC04229	12/JAN/11	BH							
EC03766									
Mod.	Dat.	Name	HARTING EURL F-95972 Paris						