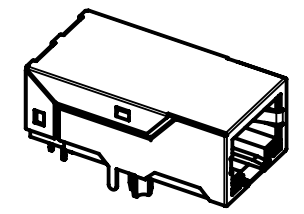
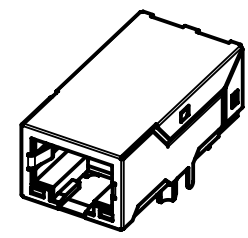
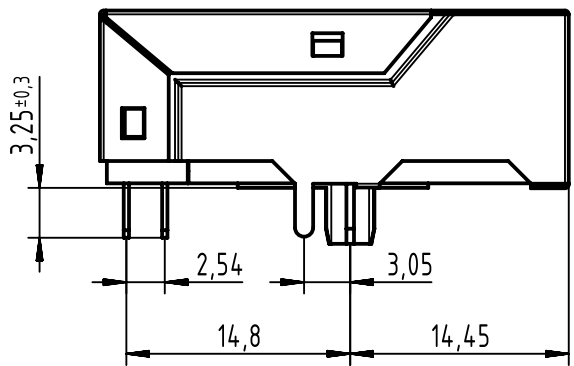
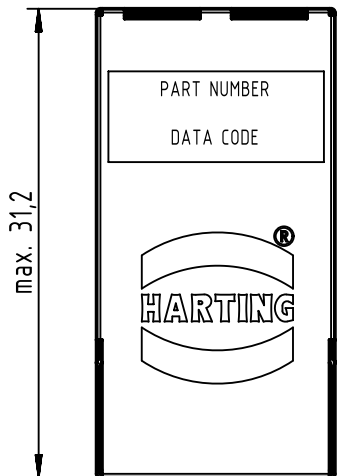
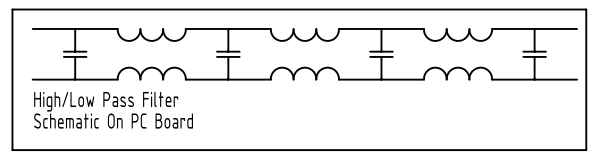
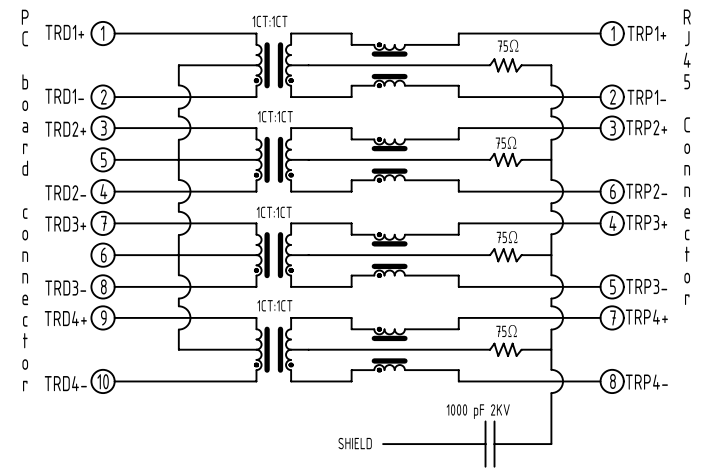


Mating face  
acc. to IEC 60603-7

Light pipe



SCHEMATIC

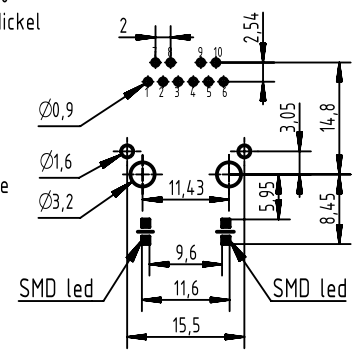


**Material:**  
Housing material: POLYESTER or HIGH Temp UL94V-0  
Shield material: 0.25mm THICKNESS BRASS Plating Nickel  
Contact material: Phosphor Bronze T=0.30mm  
Plating contact: gold plating over nickel

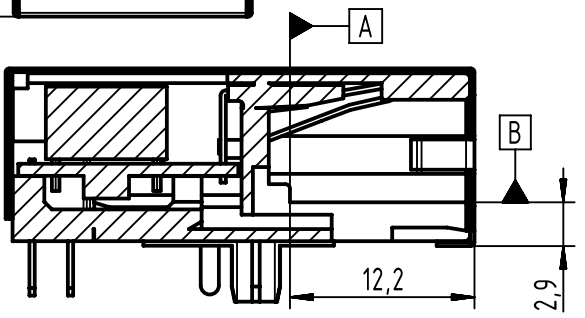
**Technical data:**  
In accordance with IEEE 802.3u & TIA 1096A  
For 10/100/1000 base transmission over UTP-5 cable  
Storage: -40°C to 85°C  
Operation: -25°C to 70°C  
Operating lifetime: 750 cycles min

**Packaging:**  
56 pieces per tray and 13 trays per carton

JACK LAYOUT



A-A



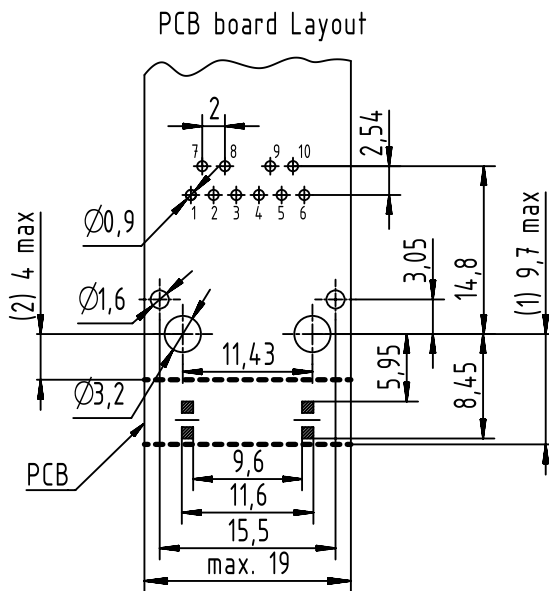
	All Dimensions in mm Original Size DIN A4		Scale 2:1	Free size tol.		Ref.	
	All rights reserved Department EC PD - RO		Created by TAMAS	Inspected by AVRAM	Standardisation HOFFMANN	Date 2016-02-18	State Final Release
HARTING Electronics GmbH D-32339 Espelkamp			Title RJ45 jack 1Gbit LV			Doc-Key / ECM-Nr. 100656483/UGD/001/A 500000100319	
			Type TB	Number 09455511540		Rev. A	Page 1/4





MOUNTING INSTRUCTION FOR HAN PUSH/PULL RJ45 HOUSING  
09 35 002 0301

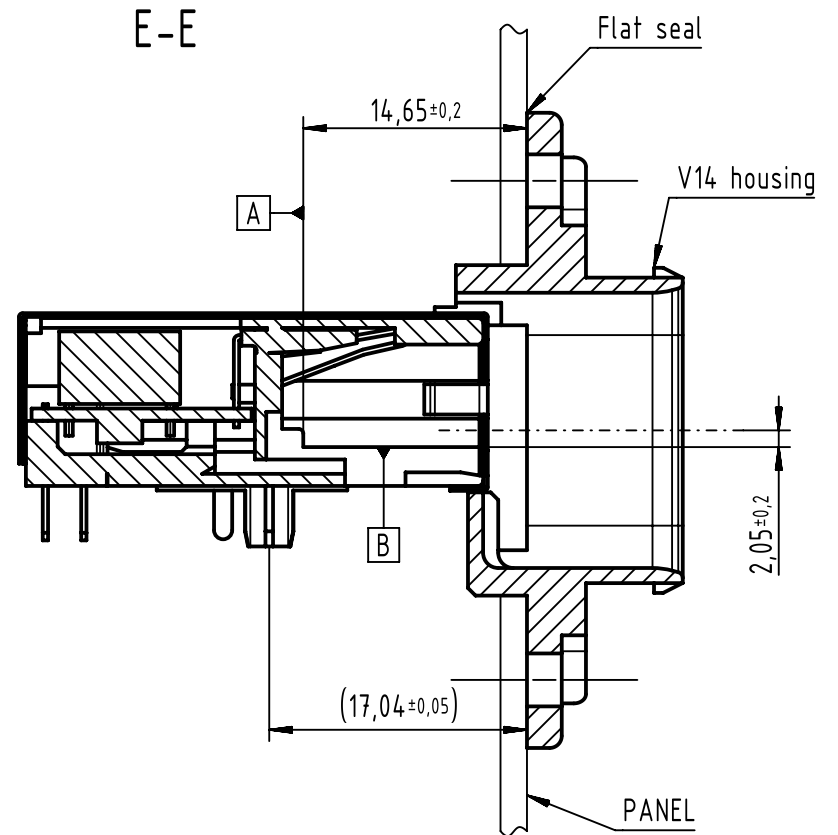
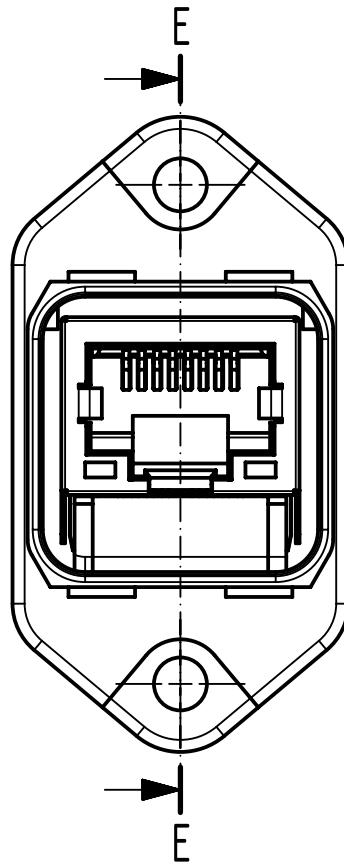
Receptacle mating side according to  
DIN EN 61076-3-117



PCB thickness: 1.6mm +/-0.1

(1) maxi PCB front side position if SMD led used

(2) maxi PCB front side position if SMD led NOT used



	All Dimensions in mm Original Size DIN A4		Scale 2:1	Free size tol.		Ref.	
	All rights reserved Department EC PD - RO		Created by TAMAS	Inspected by AVRAM	Standardisation HOFFMANN	Date 2016-02-18	State Final Release
HARTING Electronics GmbH D-32339 Espelkamp			Title RJ45 jack 1Gbit LV			Doc-Key / ECM-Nr. 100656483/UGD/001/A 500000100319	
			Type TB	Number 09455511540		Rev. A	Page 4/4