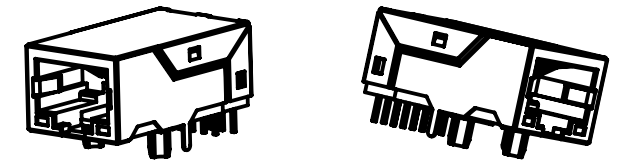
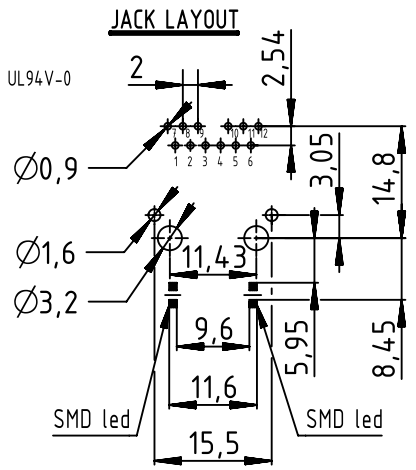


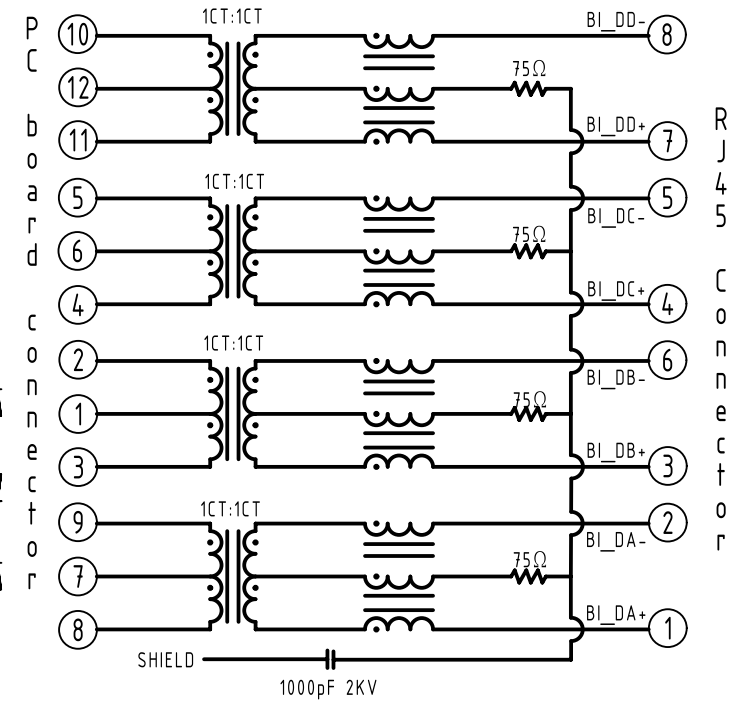
Material:
 Housing and insert material: High Temperature BK UL94V-0
 Shield material: Brass C2680 H. Plating Nickel
 Contact material: Phosphor Bronze t=0.35mm
 Plating contact: gold plating over nickel

Technical data:
 In accordance with IEEE 802.3u & TIA 1096A
 For 1000 base transmission over UTP-5 cable
 Storage: -40°C to 85°C
 Operation: -25°C to 70°C
 Operating lifetime: 750 cycles min
 Wave soldering temperature: 255 to 265°C
 (5 to 10 seconds)

Packaging:
 56 pieces per tray and 13 trays per carton



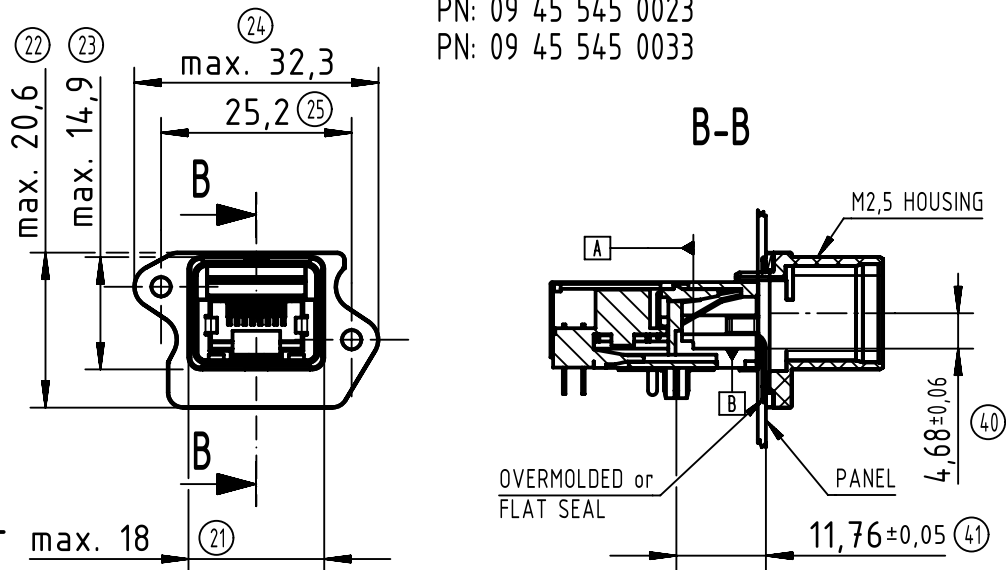
SCHEMATIC



	All Dimensions in mm Original Size DIN A4		Scale 2:1	Free size tol. 2768-FH		Ref. Sub.	
	All rights reserved Department HCS - RO		Created by POPESCUD	Inspected by AVRAM	Standardisation AVRAM	Date 2016-10-28	State Final Release
HARTING Customised Solutions D-32427 Minden			Title RJ45 jack w. transformer 10Gbit			Doc-Key / ECM-Nr. 100520343/UGD/001/B 500000110604	
			Type TB	Number 09455511560		Rev. B	Page 1/4

MOUNTING INSTRUCTIONS FOR HARTING PUSHPULL
COMPACT RECEPTACLE HOUSING

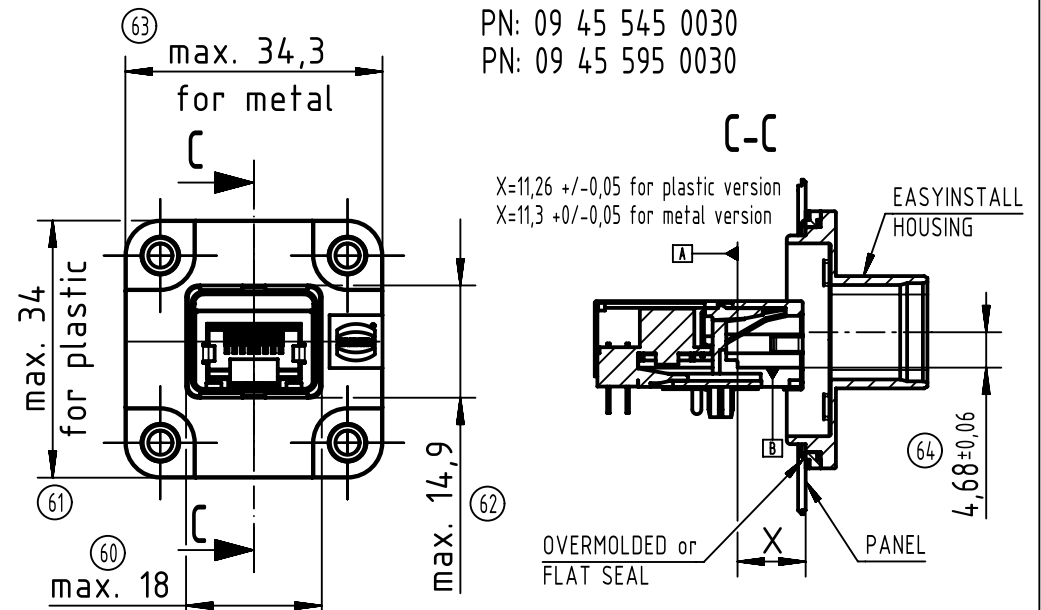
PN: 09 45 545 0023
PN: 09 45 545 0033



Receptacle mating side according to IEC 61076-3-106 variant 4

MOUNTING INSTRUCTIONS FOR HARTING PUSHPULL
EASYINSTALL RECEPTACLE HOUSINGS

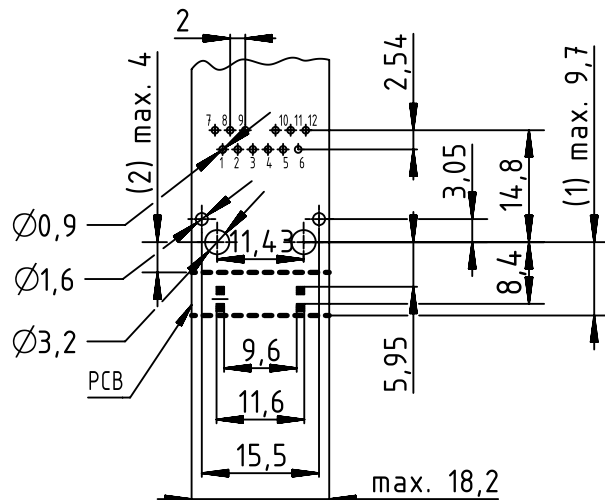
PN: 09 45 545 0030
PN: 09 45 595 0030



Receptacle mating side according to IEC 61076-3-106 variant 4

PCB LAYOUT

PCB thickness: 1.6mm +/-0.1

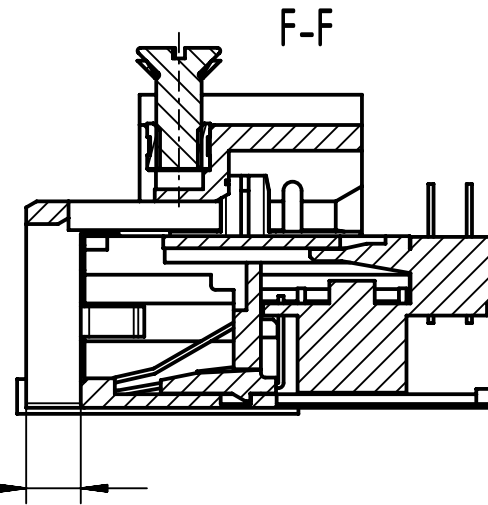
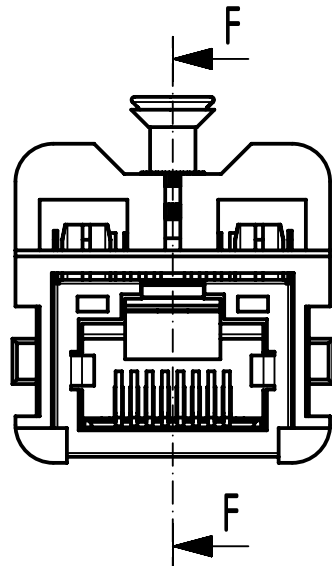


(1) maxi PCB front side position if SMD LED used
If LED used, maxi panel thickness for Pushpull compact
receptacle housing, is 1.5mm

(2) maxi PCB front side position if SMD led NOT used

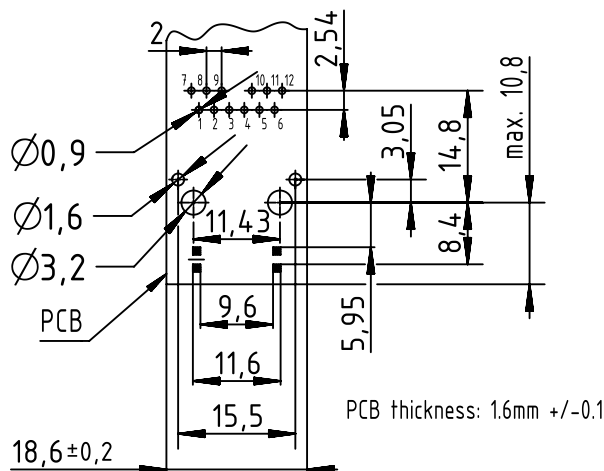
	All rights reserved	Scale 1:1	Free size tol. 2768-FH	Ref.
	Department HCS - RO	Created by POPESCUD	Inspected by AVRAM	Standardisation AVRAM
HARTING Customised Solutions D-32427 Minden	Title RJ45 jack w. transformer 10Gbit			Date 2016-10-28
	Type TB			Number 09455511560
				Doc-Key / ECM-Nr. 100520343/UGD/001/B 500000110604
				Rev. B
				Page 2/4

MOUNTING INSTRUCTION FOR HAN 3A RJ45 HOUSING
 WITH HAN 3A ADAPTER WITHOUT FIXING CLIPS
 09 45 515 0022



(21) 3,6±0,1

PCB LAYOUT



Receptacle mating side according to
 IEC 61076-3-106 variant 5

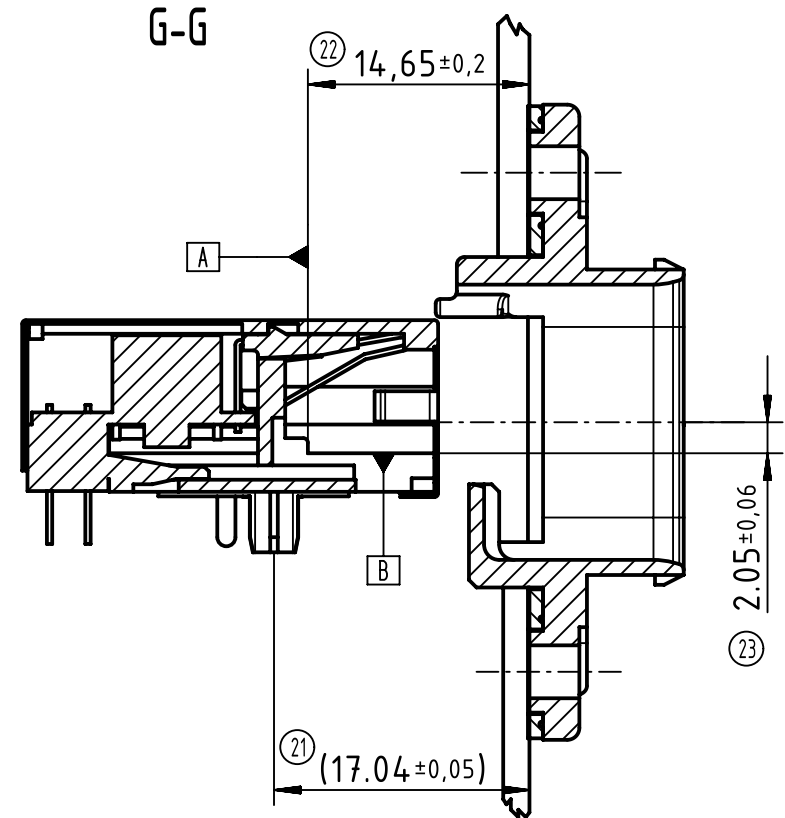
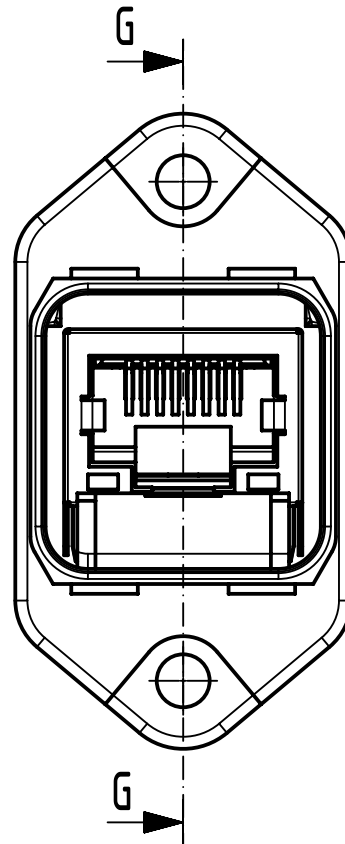
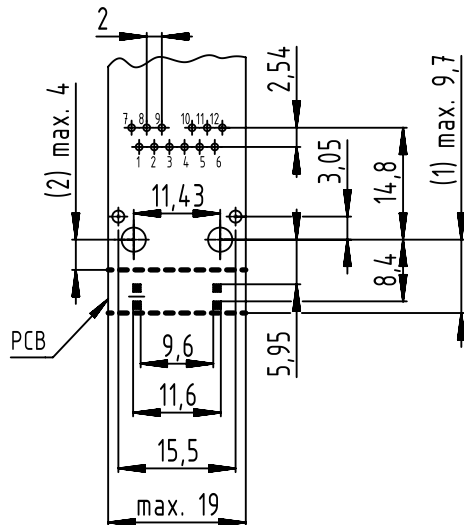
	All rights reserved Department HCS - RO HARTING Customised Solutions D-32427 Minden	All Dimensions in mm Original Size DIN A4		Scale 2:1	Free size tol. ISO 2768-FH	Ref. Sub.
		Created by POPESCUD	Inspected by AVRAM	Standardisation AVRAM	Date 2016-10-28	State Final Release
Title RJ45 jack w. transformer 10Gbit					Doc-Key / ECM-Nr. 100520343/UGD/001/B 500000110604	
Type TB				Number 09455511560		Rev. B
						Page 3/4

MOUNTING INSTRUCTION FOR HAN PUSH/PULL RJ45 HOUSING

09 35 002 0301

Receptacle mating side according to
DIN EN 61076-3-117

PCB LAYOUT



PCB thickness: 1.6mm +/-0.1

(1) maxi PCB front side position if SMD LED used

(2) maxi PCB front side position if SMD led NOT used

	All rights reserved Department HCS - RO HARTING Customised Solutions D-32427 Minden	All Dimensions in mm Original Size DIN A4		Scale 2:1	Free size tol. 2768-FH	Ref. Sub.
		Created by POPESCUD	Inspected by AVRAM	Standardisation AVRAM	Date 2016-10-28	State Final Release
Title RJ45 jack w. transformer 10Gbit					Doc-Key / ECM-Nr. 100520343/UGD/001/B 500000110604	
Type TB				Number 09455511560		Rev. B
						Page 4/4