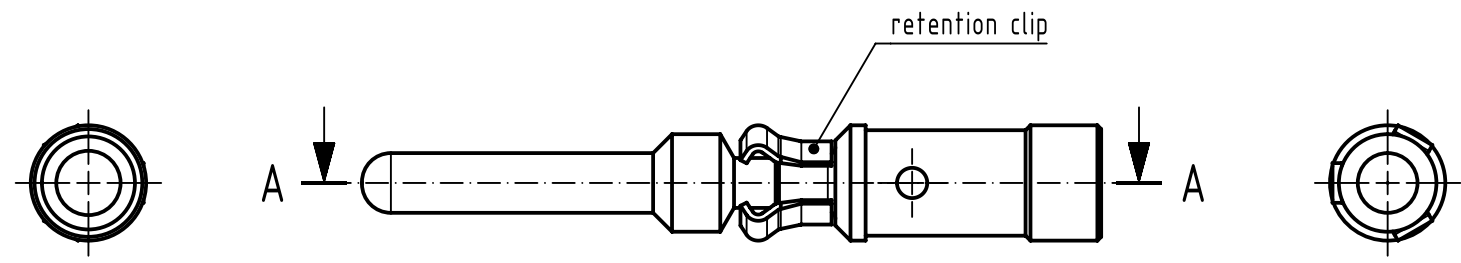
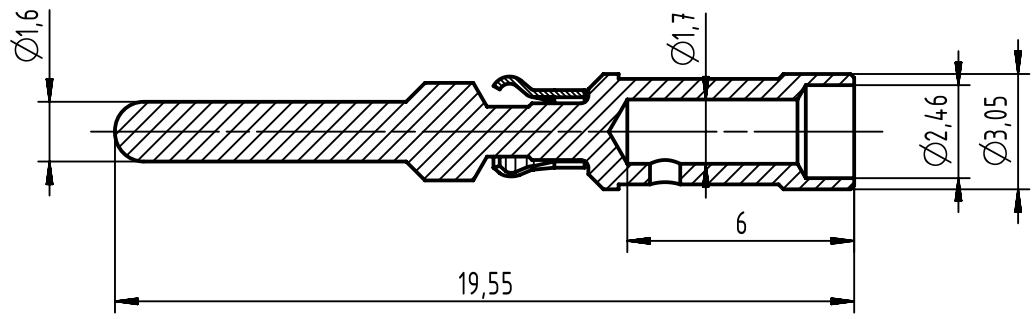


1 2 3 4 5 6

A
B
C
D



A-A

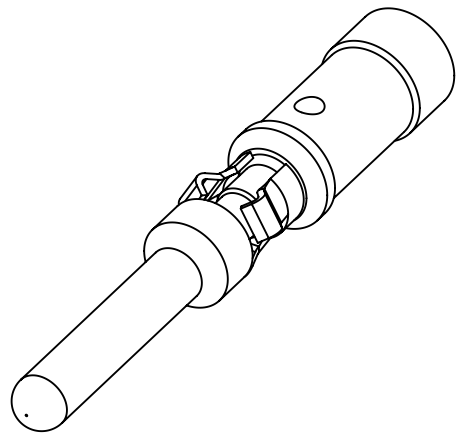



stripping length: 5mm

materials:
 contact body: brass
 retention clip: stainless steel

plating:
 contact body: Ni/Au
 retention clip: w/o.

tools:
 crimping tool: 09 46 800 0000
 contact insertion tool: 09 46 800 0099



	All Dimensions in mm Original Size DIN A4		Scale 5:1	Free size tol.		Ref.	
	All rights reserved Department EL PD		Created by ZWAHR	Inspected by ELLERMANN	Standardisation HOFFMANN	Date 2018-08-27	State Final Release
HARTING Electronics GmbH D-32339 Espelkamp			Title HPP V4 crimp contact male 1mm ² (AWG18)			Doc-Key / ECM-Nr. 100507322/UGD/001/C 500000137418	
			Type TB	Number 09465000407		Rev. C	Page 1/1