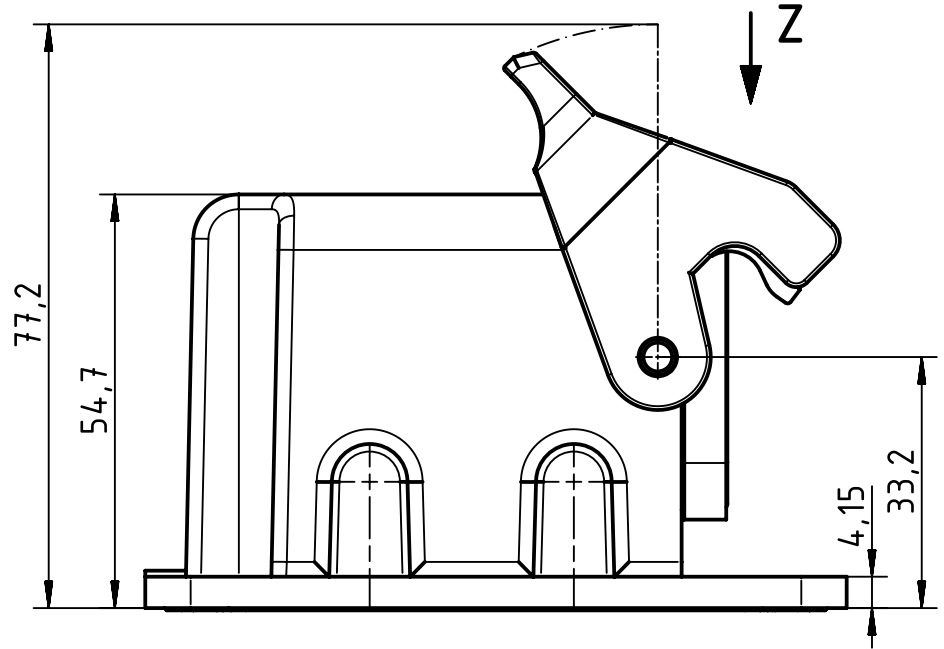
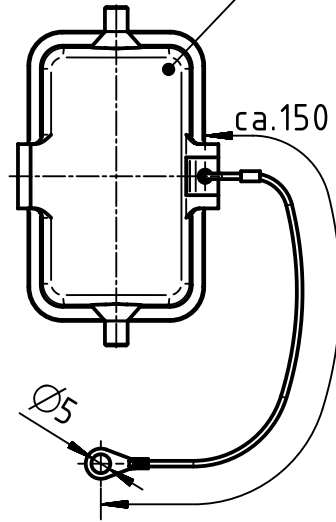
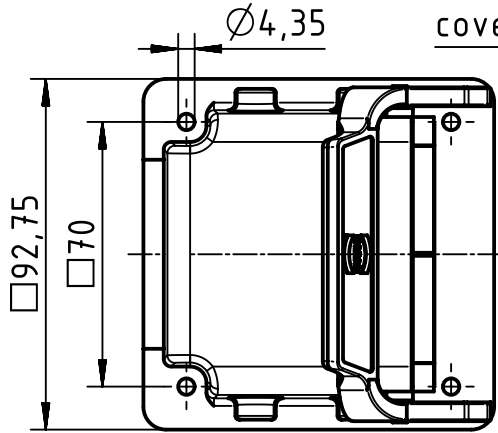
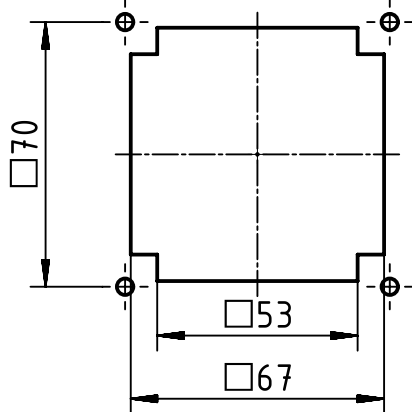


Z(1:2)

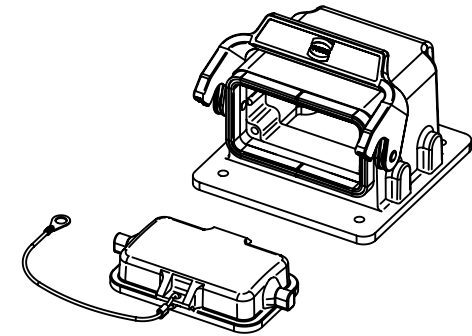
cover separately enclosed




panel cut out (1:2)



housing without coating



	All rights reserved Department EL PD - DE		Created by FINKEV		Inspected by BERGHORN		Standardisation RUETERA		Date 2017-11-17		State Final Release	
	HARTING Electric GmbH & Co. KG D-32339 Espelkamp		Title Terminal housing f. motor Han 10B 1 leve		Number 09 62 810 0974		Doc-Key / ECM-Nr. 100190943/UGD/004/B 500000127219		Rev. B		Page 1/1	