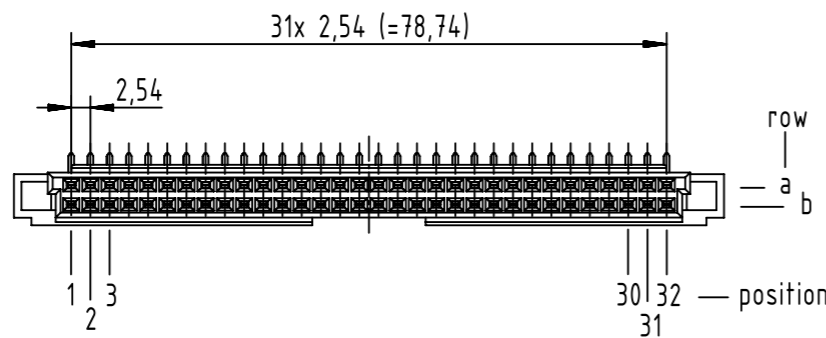
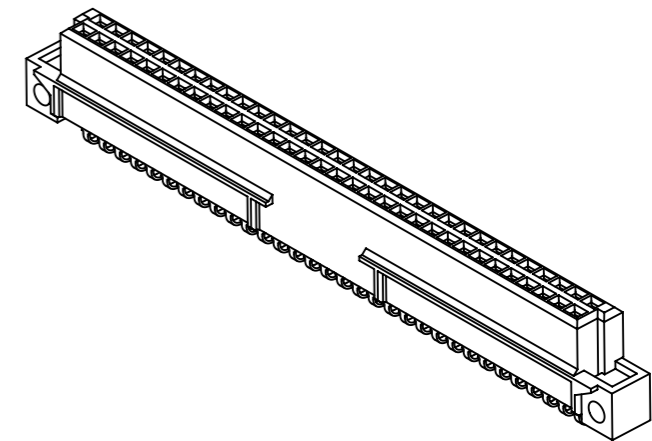
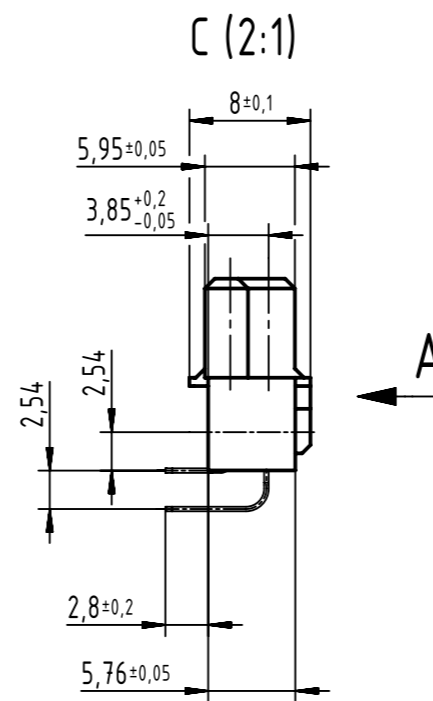
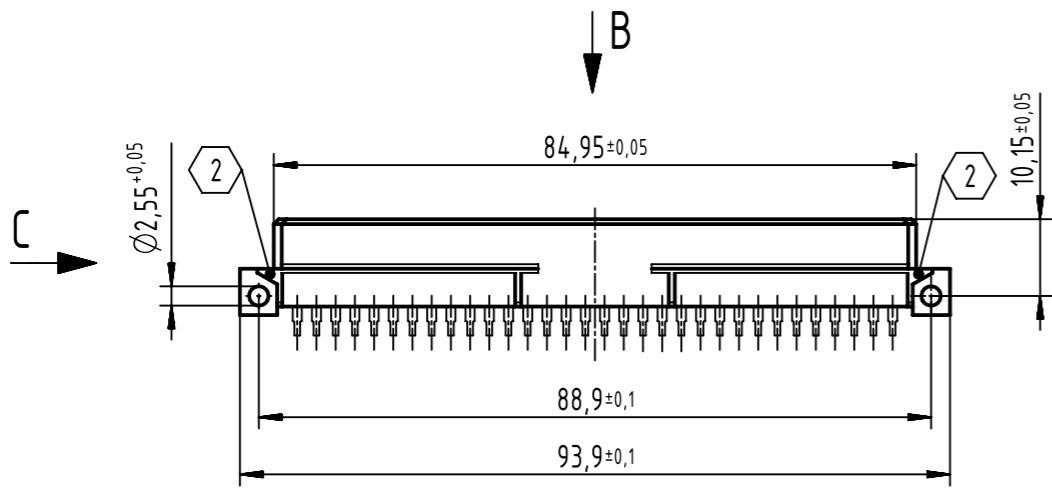


64 signal contacts  
 X = position with contact  
 □ = position without contact



2 production process related cutting area, no functional impact  
 1 further information see: DS 09732200201

09 72 264 6801	2
part no.	performance level 1

	All rights reserved	Created by STORCK	Inspected by LEHNERT	Standardisation HOFFMANN	Date 2019-07-16	State Final Release
	Department EL PD	Title DIN Signal type Q female solder angled 64-pole				Doc-Key / ECM-Nr. 100612646/UGD/005/B 500000154588
HARTING Electronics GmbH D-32339 Espelkamp		Type TB	Number 0972264X801		Rev. B	Page 1/1