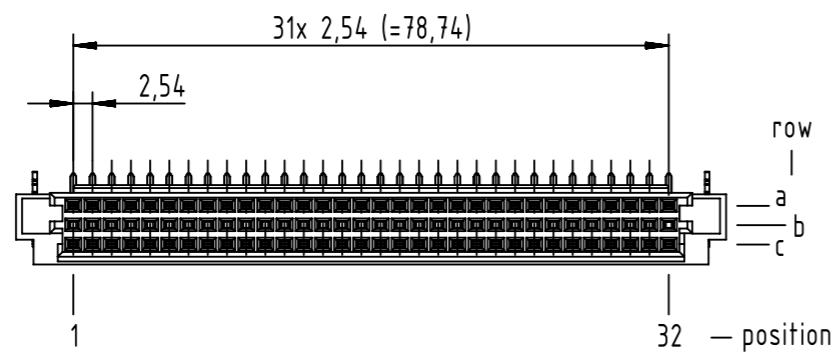
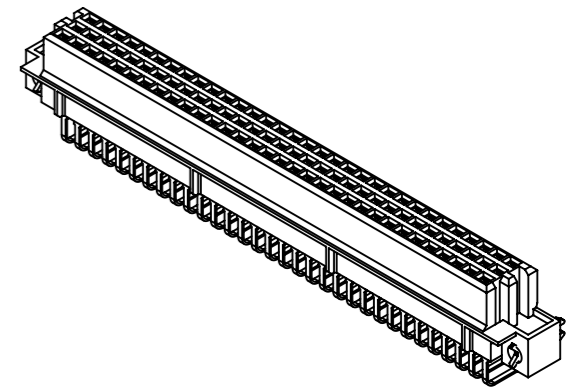
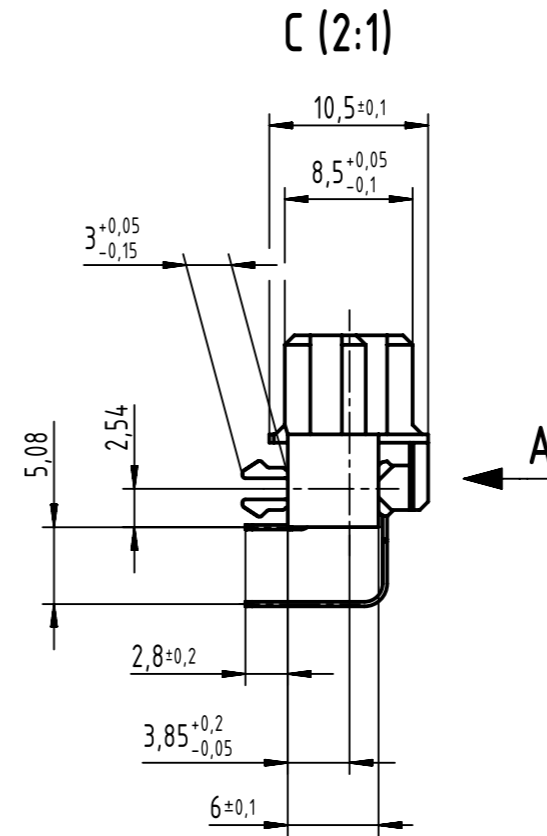
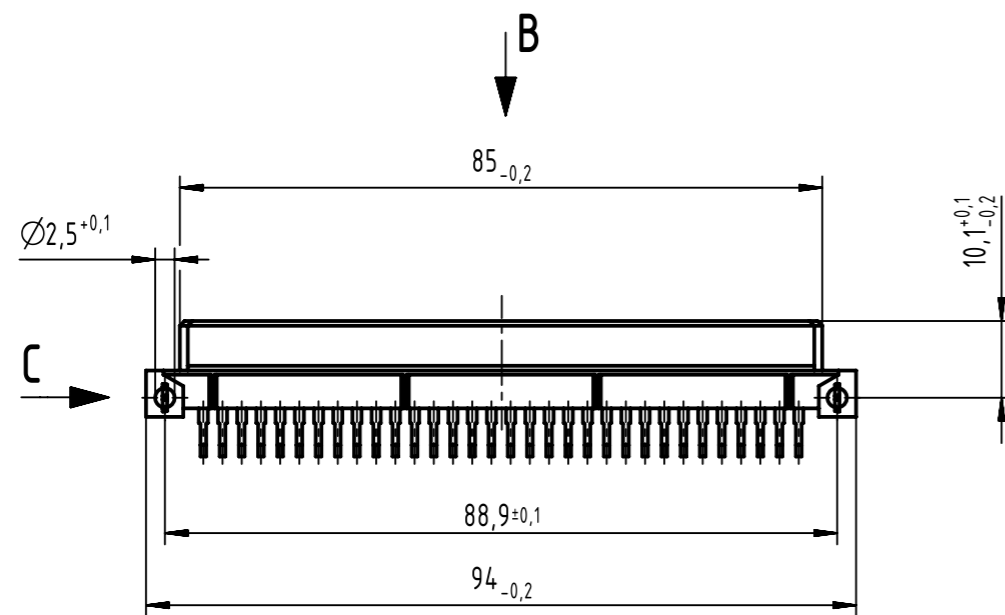


64 signal contacts

⊗ = position with contact

□ = position without contact



09 73 464 6804	2
09 73 464 2804	1
part no.	performance level 1

1 further information see: DS 09732230201

	All Dimensions in mm Original Size DIN A3		Scale 1:1	Free size tol. IEC 60603-2	Ref. Sub. TB 09 73 464 x804 / Mod. 36420 / 18.08.2011	
	All rights reserved Department EC PD - DE		Created by STORCK	Inspected by LEHNERT	Standardisation HOFFMANN	Date 2018-07-17
HARTING Electronics GmbH D-32339 Espelkamp		Title DIN Signal type R female solder angled clip 64-pole THR			Doc-Key / ECM-Nr. 100104712/UGD/084/B 500000137730	
		Type TB	Number 0973464X804		Rev. B	Page 1/1