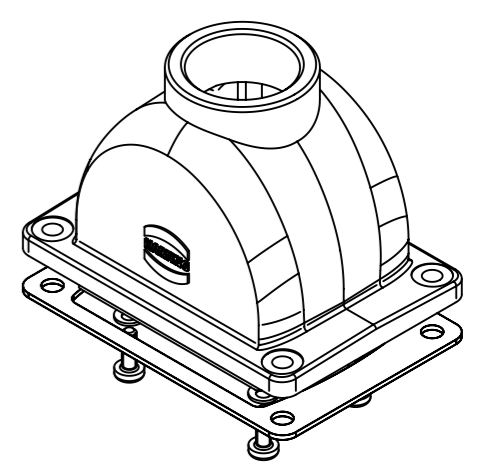
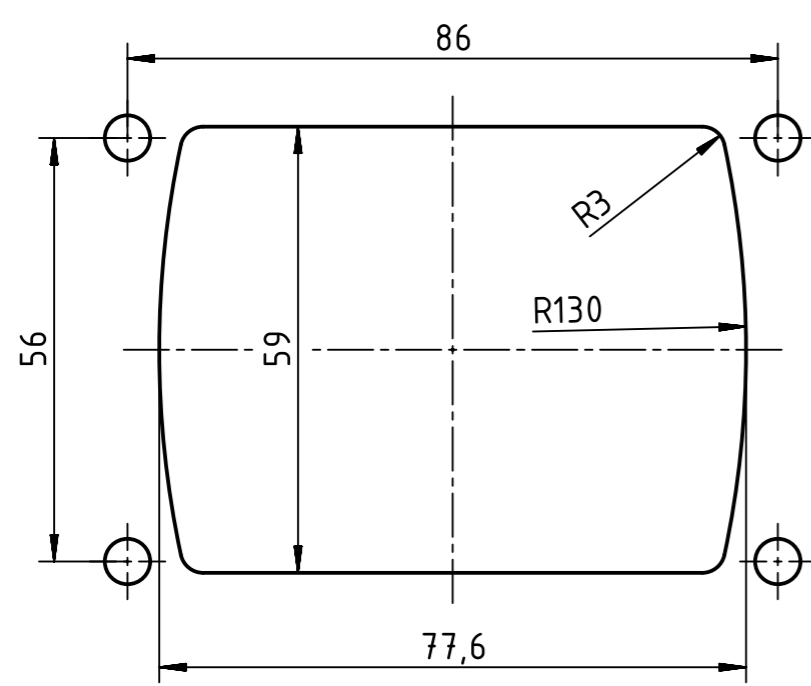


panel cut out



range of delivery: hood with M4 screws, washers and gasket

	All rights reserved Department EL PD - DE HARTING Electric GmbH & Co. KG D-32339 Espelkamp	All Dimensions in mm Original Size DIN A3	Scale 1:1	Free size tol.	Ref. Sub.
		Created by FINKEV	Inspected by SUNDERMEIER	Standardisation TIEMANNA	Date 2014-10-29
Title Han-Yellock 30-feed through hood-M32					Doc-Key / ECM-Nr. 100550751/UGD/002/A 50000080818
Type TB		Number 11 12 300 1702			Rev. A
					Page 1/1