

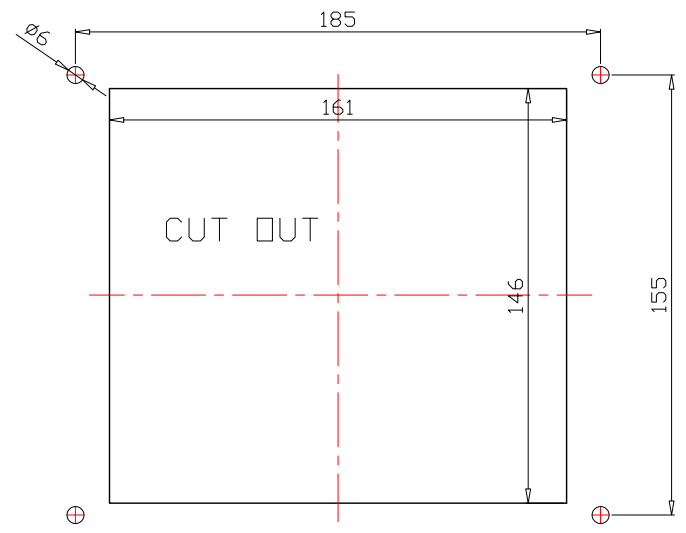
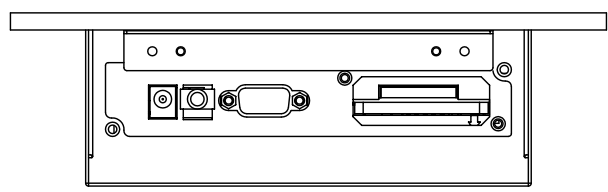
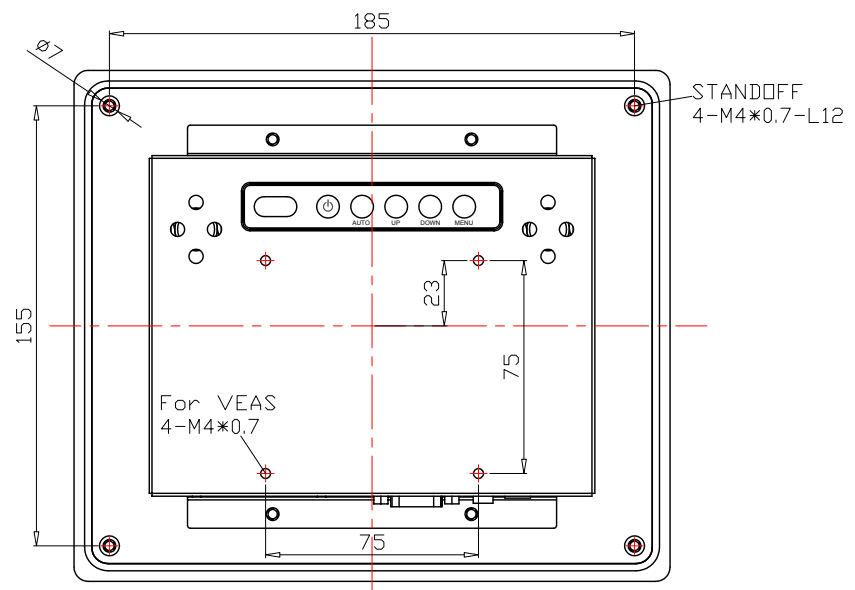
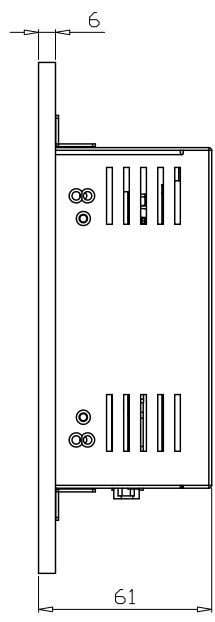
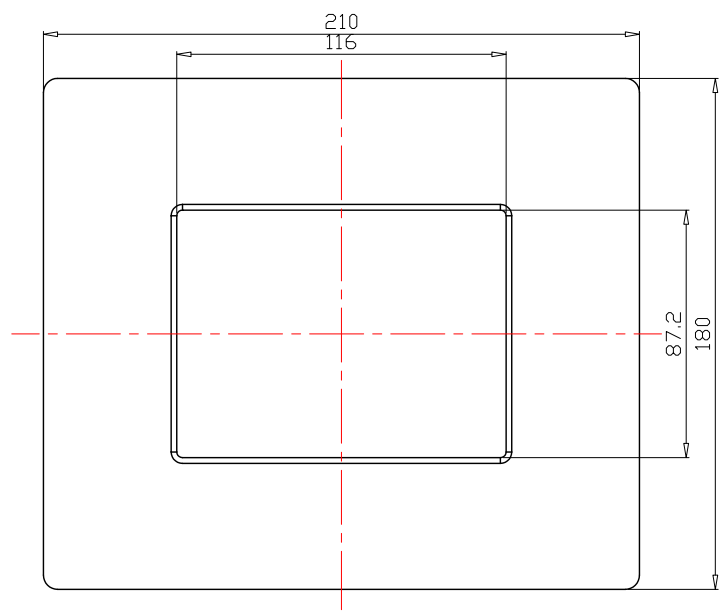
1 2 3 4 5

A

B

C

D



AD/BOARD		MODEL	IPM0576		泓瑜科技有限公司 WINSONIC TECH. CO., LTD.						
INVERTER										PART NAME	Assembly
KEY PAD					VERSION		DATE	2012-Feb-13	APPROVED		DRAWN
PANEL:											
AU-G057VN01_V0		D	MATERIAL								

1 2 3 4 5