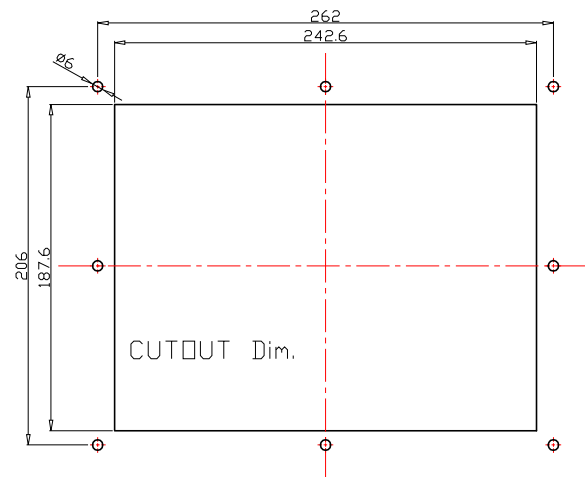


VIEW A



AD/BOARD		MODEL	IPM0846		泓瑜科技有限公司 WINSONIC TECH. CO., LTD.					
INVERTER									PART NAME	
KEY PAD					VERSION		APPROVED		DRAWN	JACK
PANEL:		D	MATERIAL	DATE	2012-Mar-09					