

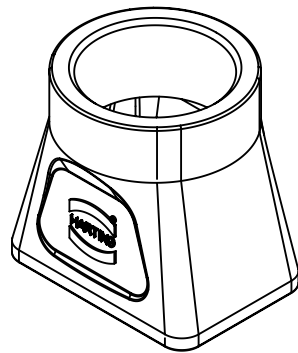
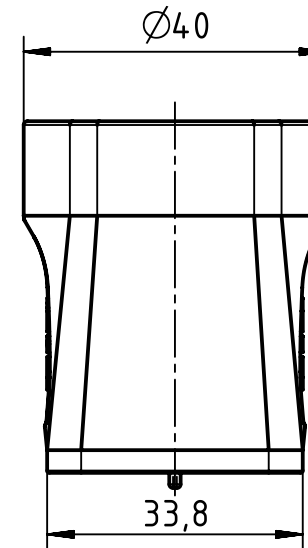
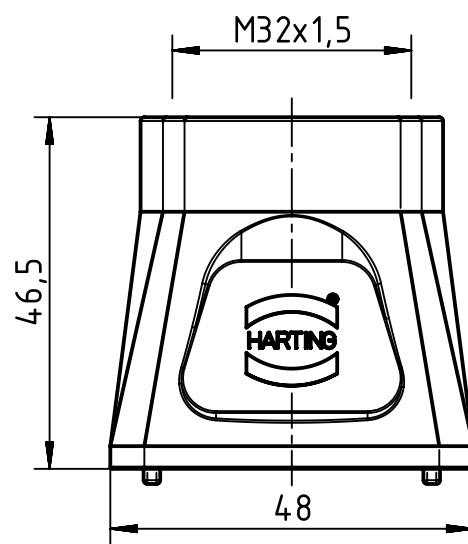
1 2 3 4 5 6


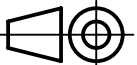
A

B

C

D



	All rights reserved		Created by HOLLERT		Inspected by RIEPE		Standardisation TIEMANNA		Date 2016-02-12		State Final Release	
	Department EL PD - DE		Title Han 1Mod-gg-M32 M4		Number 19 14 001 0409		Doc-Key / ECM-Nr. 100650817/UGD/002/A 500000097634		Rev. A		Page 1/1	
HARTING Electric GmbH & Co. KG D-32339 Espelkamp			Scale 1:1		Free size tol.		Ref.		Sub.			
					All Dimensions in mm Original Size DIN A4							