

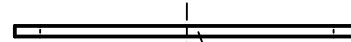
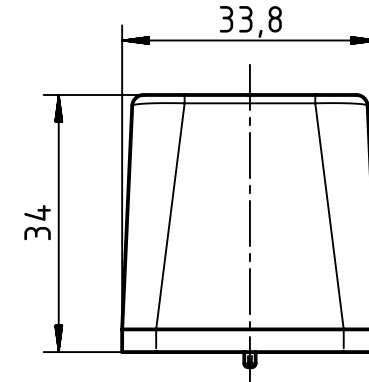
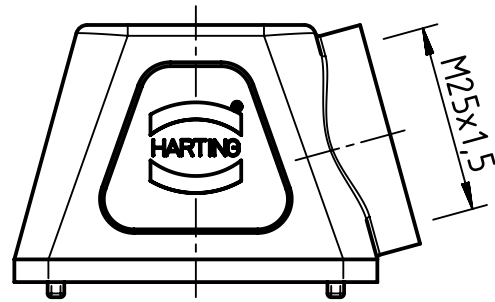
1 2 3 4 5 6

A

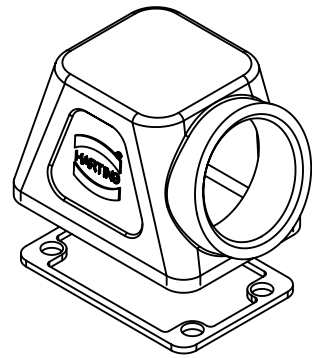
B

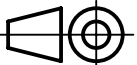

C

D



gasket
enclosed separately



 All Dimensions in mm Original Size DIN A4	Scale	Free size tol.			Ref.	
	1:1				Sub.	
 All rights reserved Department EL PD - DE	Created by	Inspected by	Standardisation	Date	State	
	HOLLERT	RIEPE	TIEMANNA	2016-02-11	Final Release	
HARTING Electric GmbH & Co. KG D-32339 Espelkamp	Title				Doc-Key / ECM-Nr. 100650198/UGD/001/A 500000097633	
	Han 1Mod-gs-M25 M4					
Type		Number			Rev.	Page
TB		19 14 001 0507			A	1/1