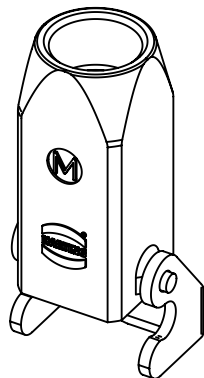
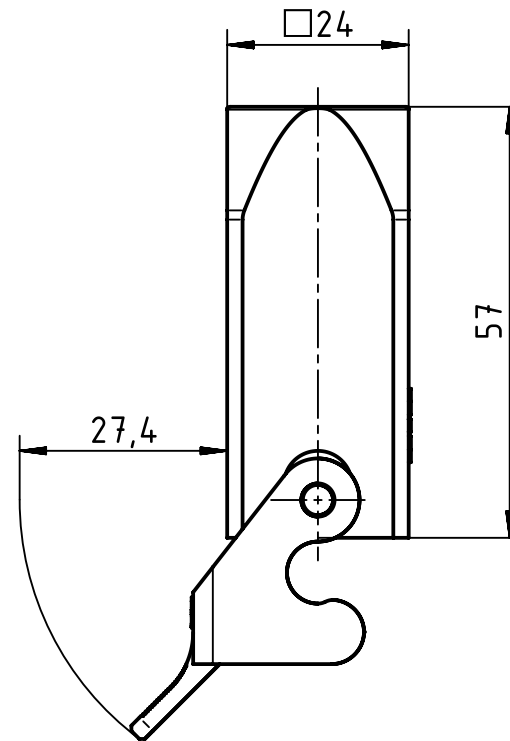
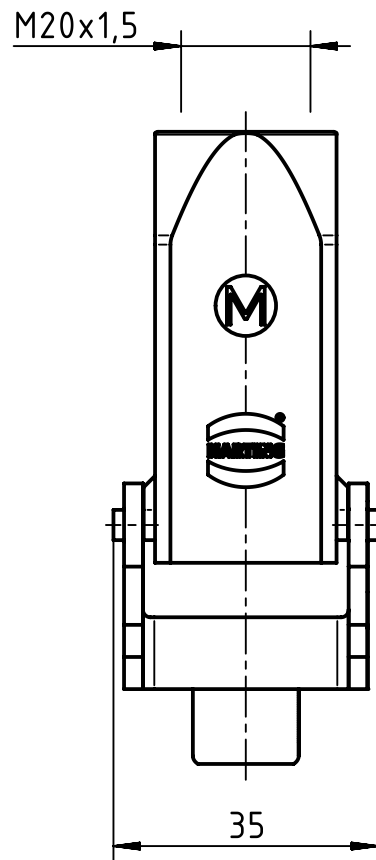
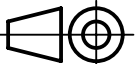



1 2 3 4 5 6

A
B
C
D



| | | | | | |
|--|--|----------------|-----------------|------------|-------------------------------------|
|  All Dimensions in mm Original Size DIN A4 | Scale | Free size tol. | | | Ref. |
| | 1:1 | | | | Sub. |
|  All rights reserved Department EL PD - DE | Created by | Inspected by | Standardisation | Date | State |
| | BALSAN | PRIESTER | TIEMANNA | 2018-02-05 | Final Release |
| HARTING Electric GmbH & Co. KG D-32339 Espelkamp | Title | | | | Doc-Key / ECM-Nr. |
| | Han A Hood Coupler Thermoplastic 1 Lever | | | | 100197921/UGD/004/A 500000129276 |
| Type | Number | Rev. | | | Page |
| TB | 19 20 003 0727 | A | | | 1/1 |