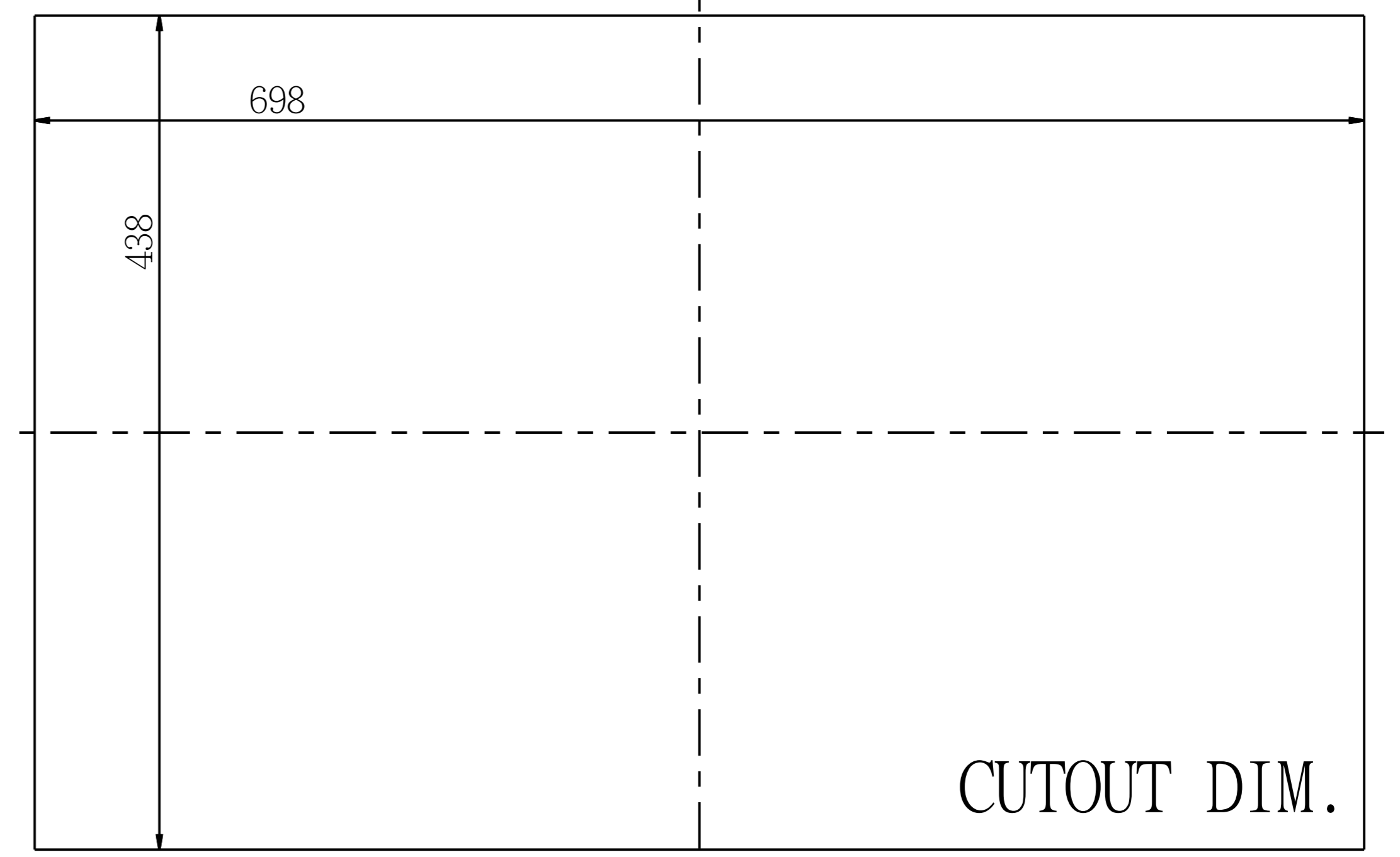
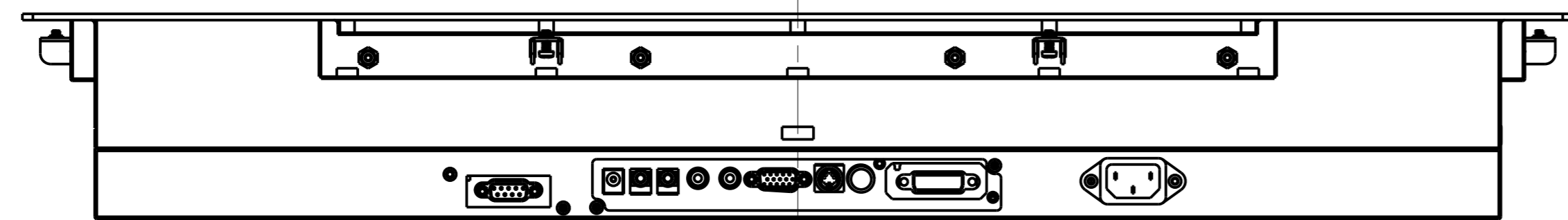
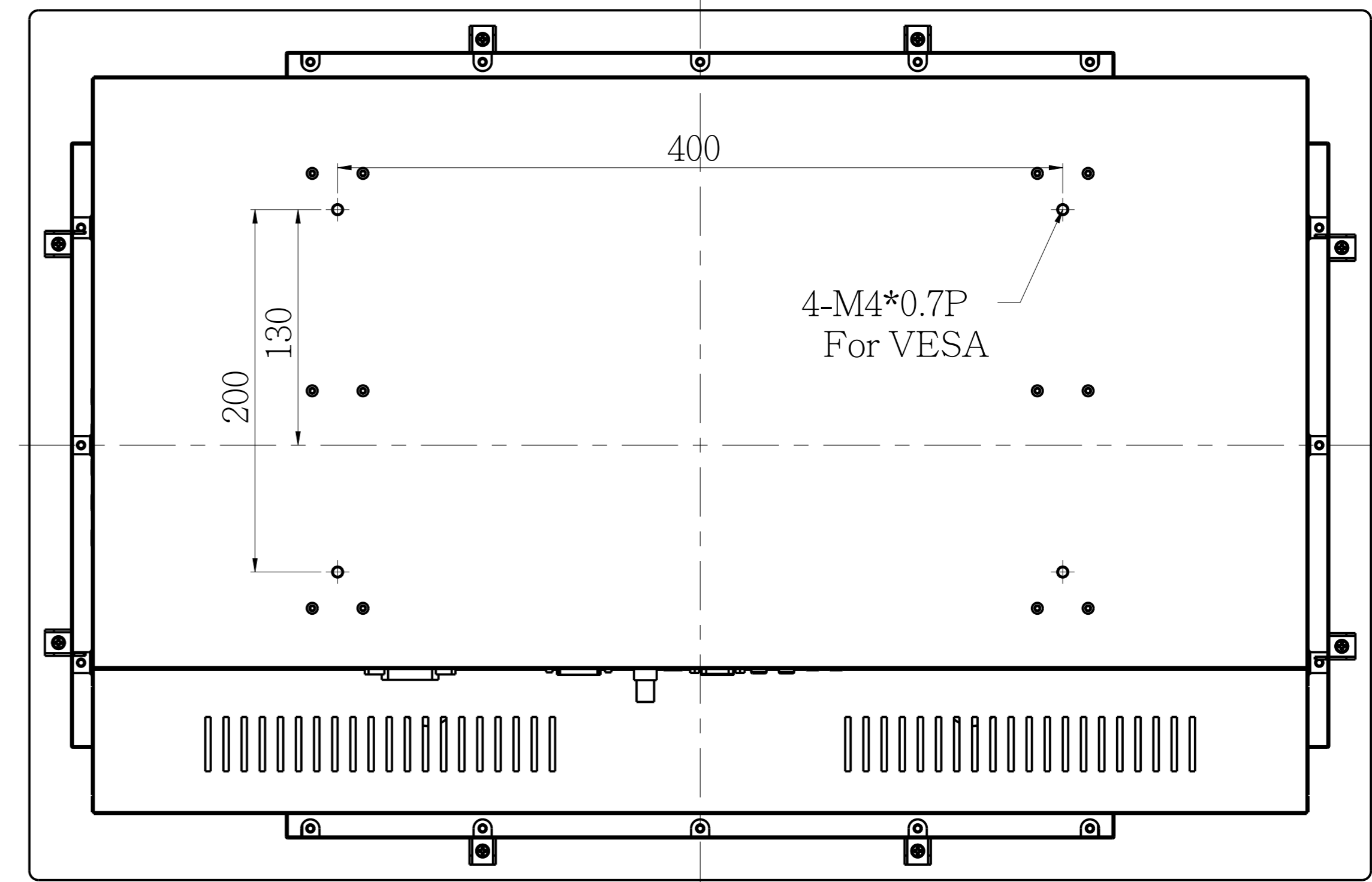


Wall Max Depth is 12mm.



AD/BOARD		MODEL	IPM2725 / PM2725			泓瑜科技有限公司 WINSONIC TECH. CO., LTD.					
INVERTER											
KEY PAD											
PANEL:	VERSION	MATERIAL	METAL	DATE	2012-Aug-09	PART NAME	ASSEMBLY				
	V1					APPROVED	DRAWN	Chris	SCALE	0.400	
										UNIT	MM