

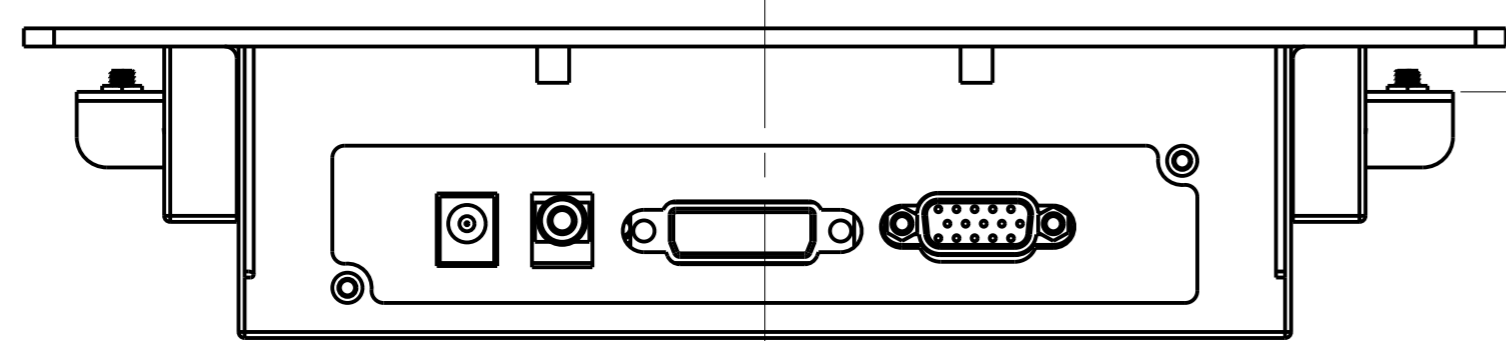
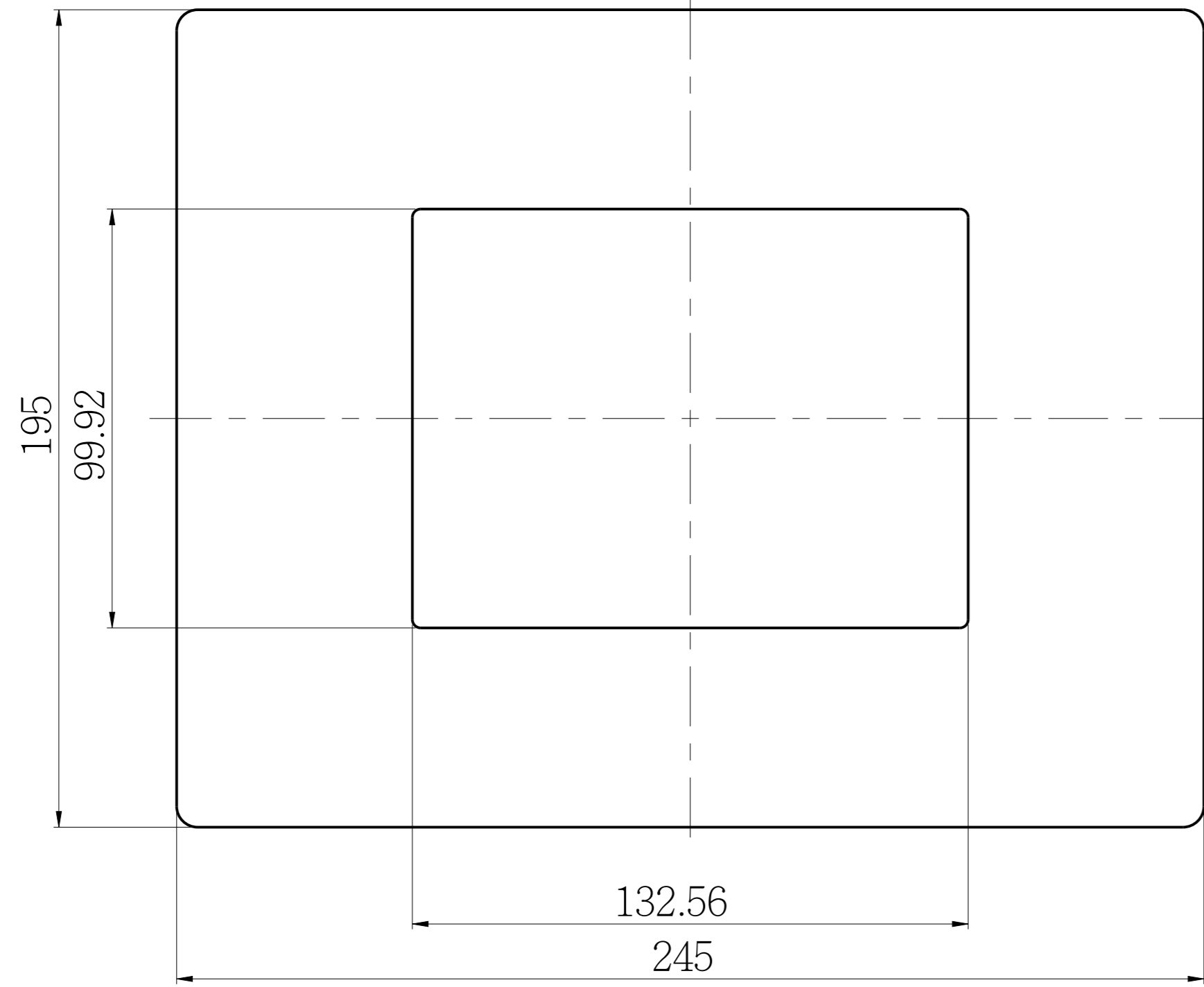
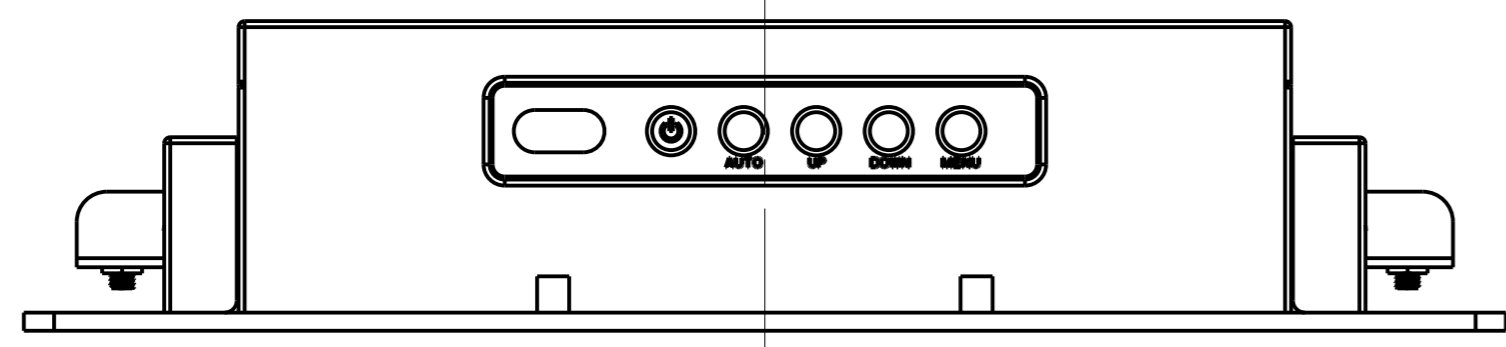
1 2 3 4 5

A

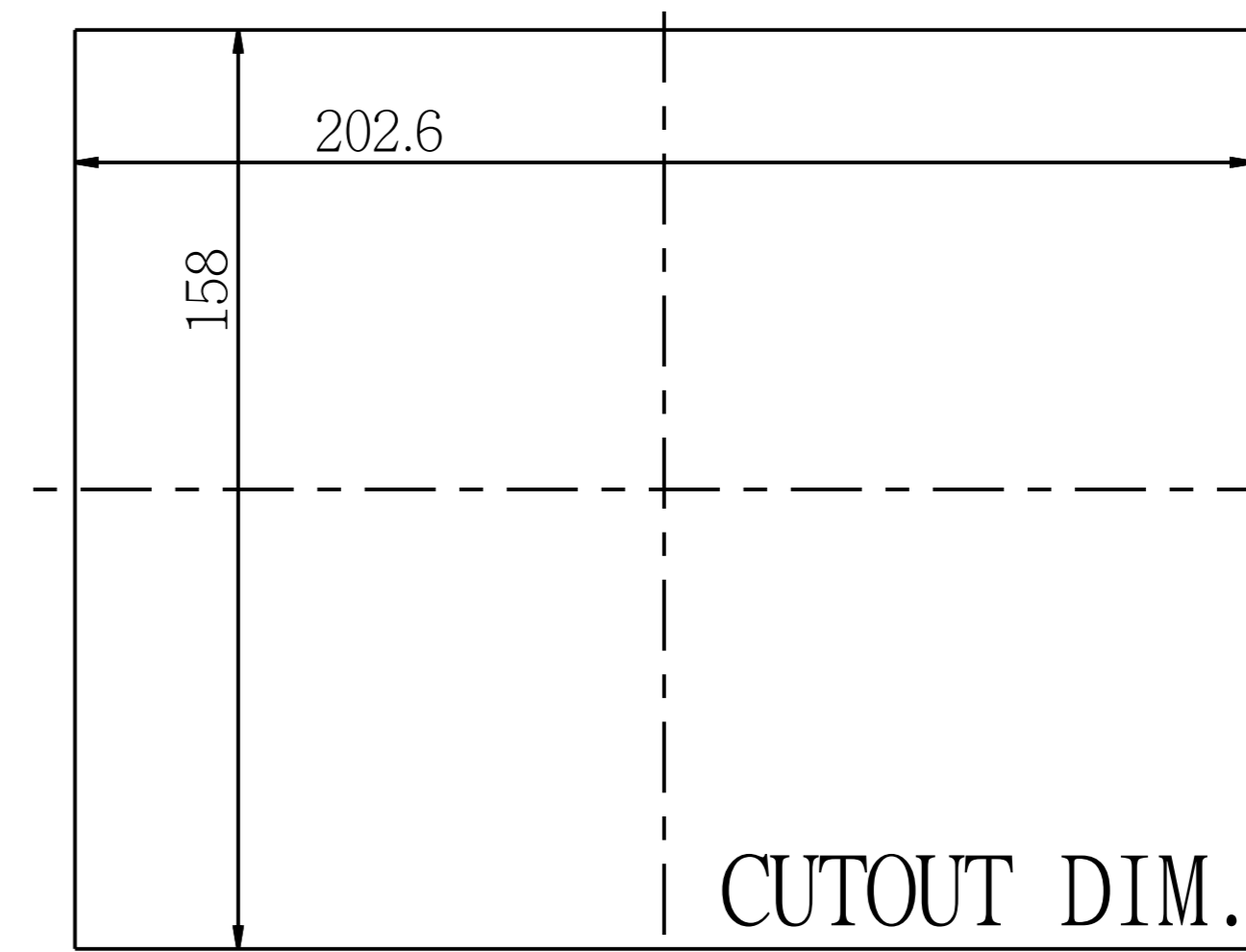
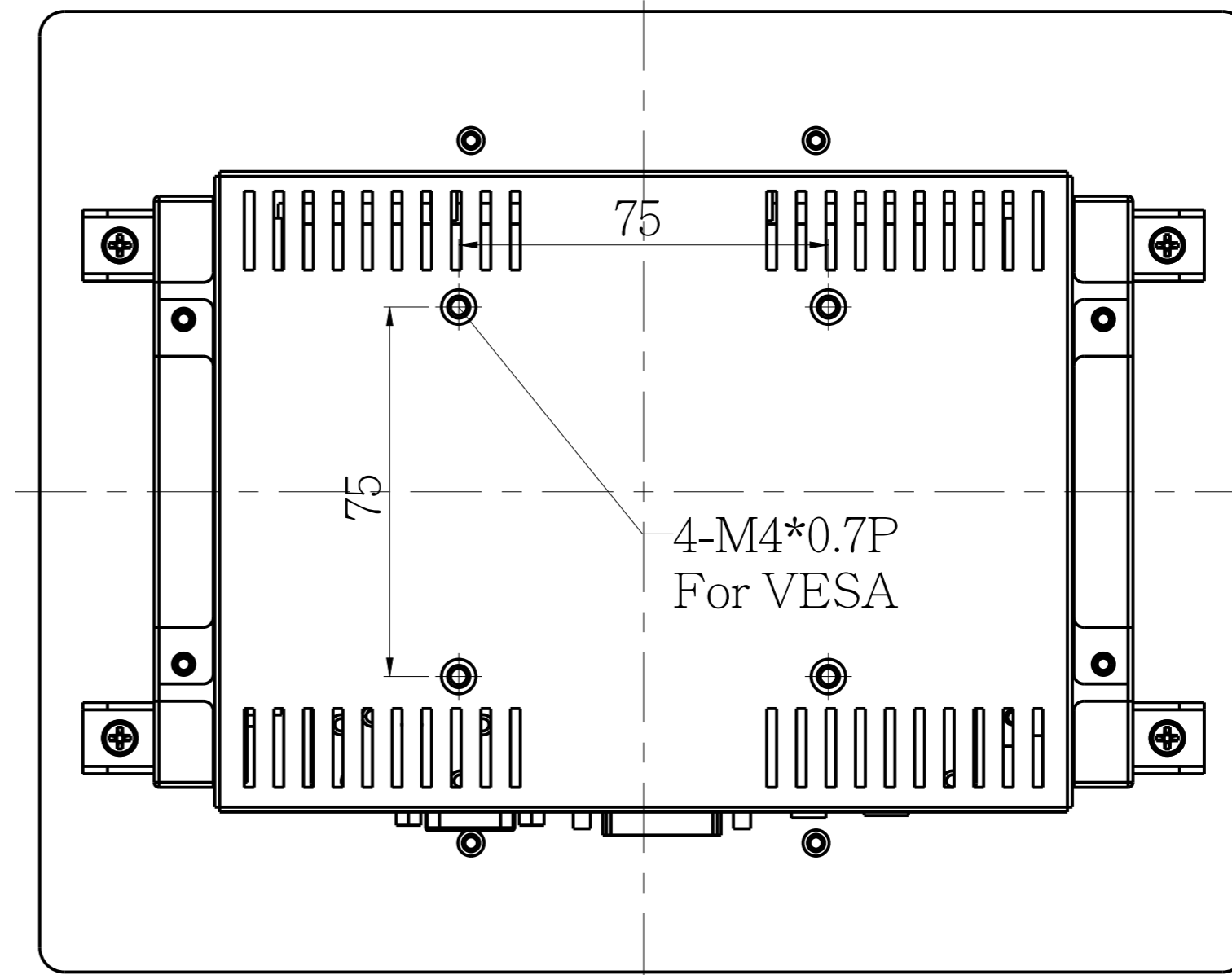
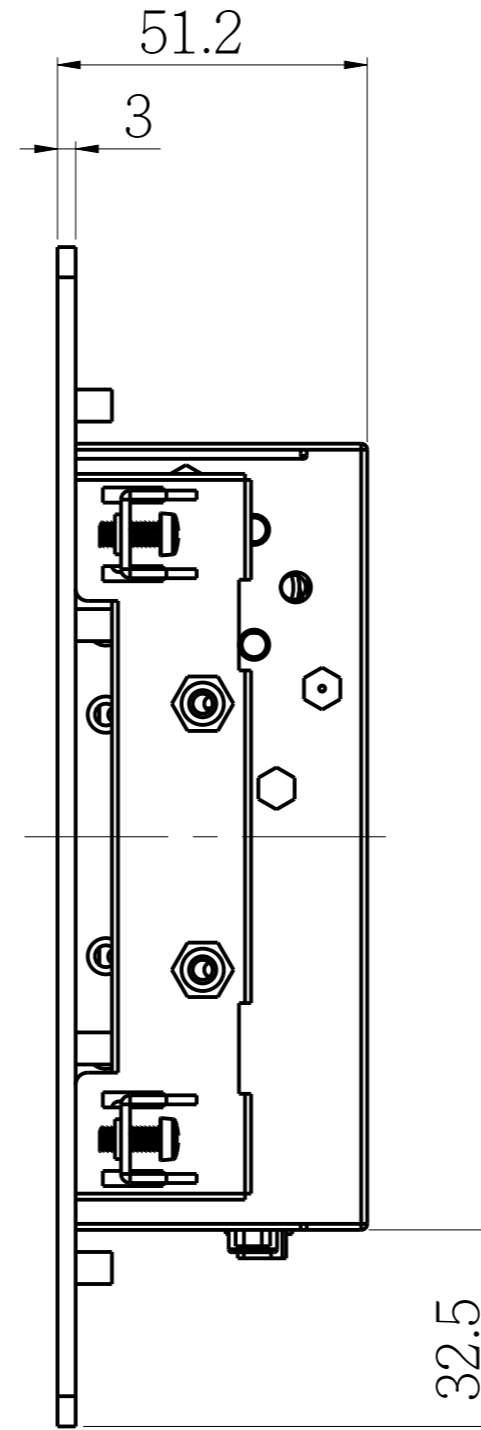
B

C

D



Wall Max Depth is 12mm.



CUTOUT DIM.

AD/BOARD		MODEL	ISPM0656 / SPM0656			泓瑜科技有限公司 WINSONIC TECH. CO., LTD.				
INVERTER										
KEY PAD										
PANEL:	VERSION	MATERIAL	METAL	DATE	2012-Jun-26	PART NAME	ASSEMBLY			
	V1								SCALE	0.800
						APPROVED	DRAWN	Chris	UNIT	MM

1 2 3 4 5