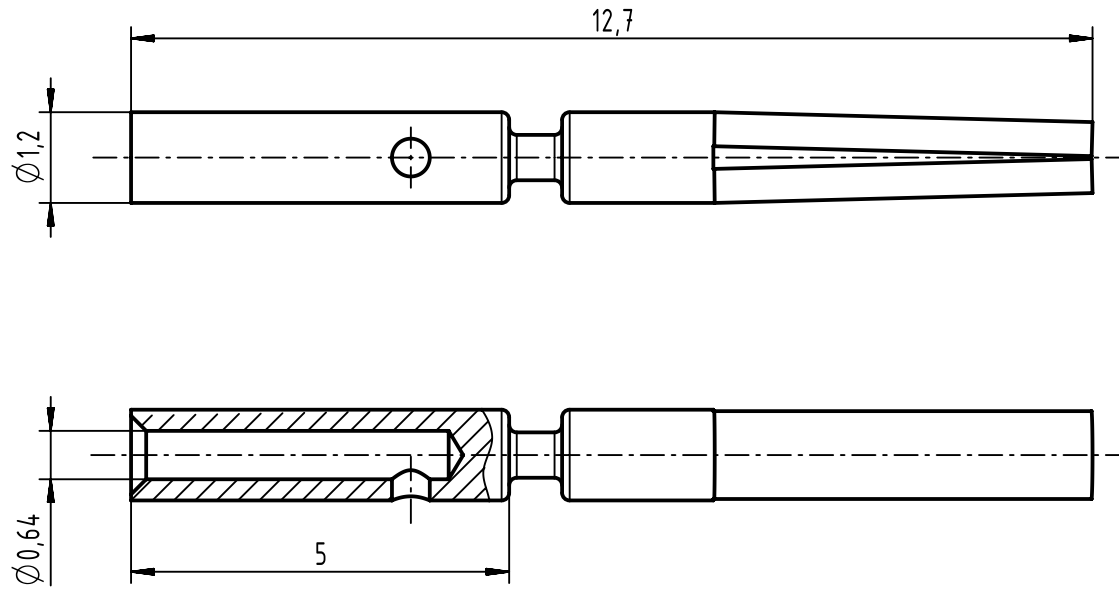


A

B

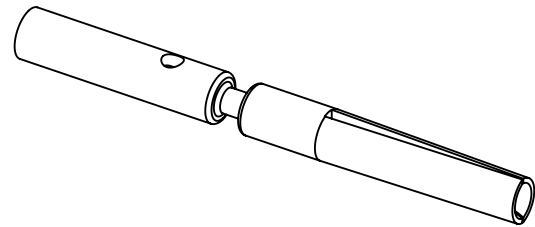
C

D




this crimp contact should be processed with:

locator 09 99 000 0635
 hand crimping tool 09 99 000 0501



coating			
pl	Ni (µm)	NiP (µm)	Au (µm)
1	2,0±0,5	2,0±0,5	0,15 ^{+0,15}

 All rights reserved Department EC PD - DE HARTING Electronics GmbH D-32339 Espelkamp	All Dimensions in mm Original Size DIN A4	Scale 10:1	Free size tol.			Ref. Sub.
	Created by HASSE	Inspected by GENAU	Standardisation HOFFMANN	Date 2016-03-11	State Final Release	Doc-Key / ECM-Nr. 100609016/UGD/002/B 500000101640
Title female contact crimp Ø0,6 AWG 28-24					Rev. B	Page 1/1
Type TB		Number 21011009023				