

1

2

3

4

A

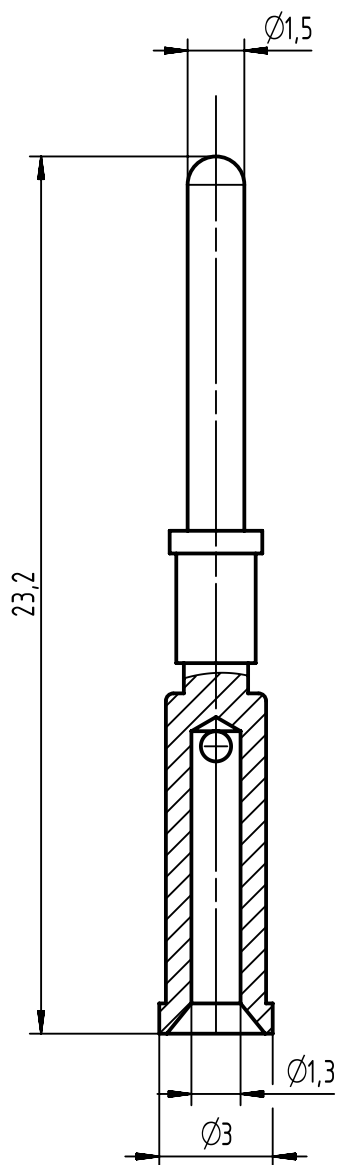
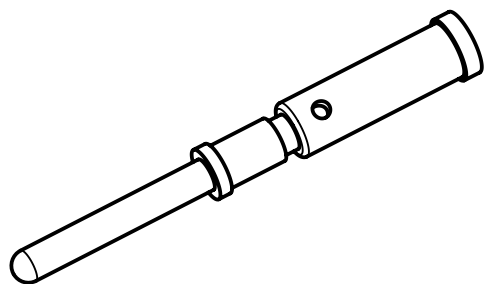
B

C

D

E

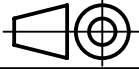
F



this crimp contact should be processed with:

locator 09990000638  
hand crimping tool 09990000509

surface			
pl	Ni (µm)	NiP (µm)	Au (µm)
1	min. 1,5	min. 1,5	min. 0,15

	All rights reserved Department EC PD - RO	Created by STOICA	Inspected by AVRAM	Standardisation HOFFMANN	Date 2016-03-31	State Final Release	
		Title M12 Power Male crimp contact for Plug 0.75 sqmm				Doc-Key / ECM-Nr. 100610449/UGD/001/B 500000102371	
HARTING Electronics GmbH D-32339 Espelkamp		Type TB	Number 21011009924			Rev. B	Page 1/1