

1

2

3

4

A

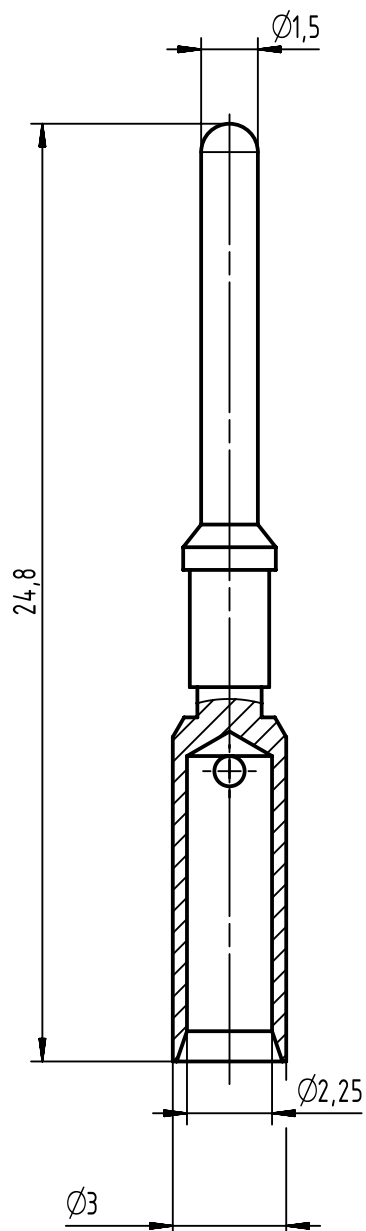
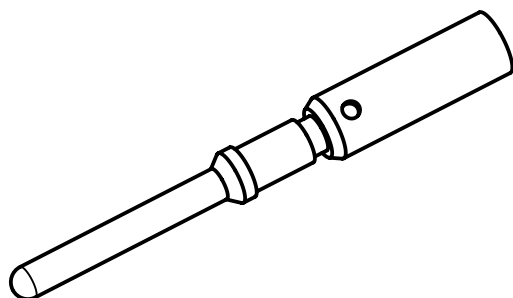
B

C

D

E

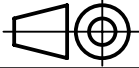
F



this crimp contact should be processed with:

locator 09990000638  
hand crimping tool 09990000509

surface			
pl	Ni ( $\mu\text{m}$ )	NiP ( $\mu\text{m}$ )	Au ( $\mu\text{m}$ )
1	min. 1,5	min. 1,5	min. 0,15

	All Dimensions in mm Original Size DIN A4		Scale 5:1	Free size tol.		Ref.	Sub.
	All rights reserved Department EC PD - RO		Created by STOICA	Inspected by AVRAM	Standardisation HOFFMANN	Date 2016-03-31	State Final Release
HARTING Electronics GmbH D-32339 Espelkamp		Title M12 Power Male crimp contact PE for Plug 2.5 sqmm				Doc-Key / ECM-Nr. 100608134/UGD/001/B 500000102371	
		Type TB	Number 21011009930			Rev. B	Page 1/1