

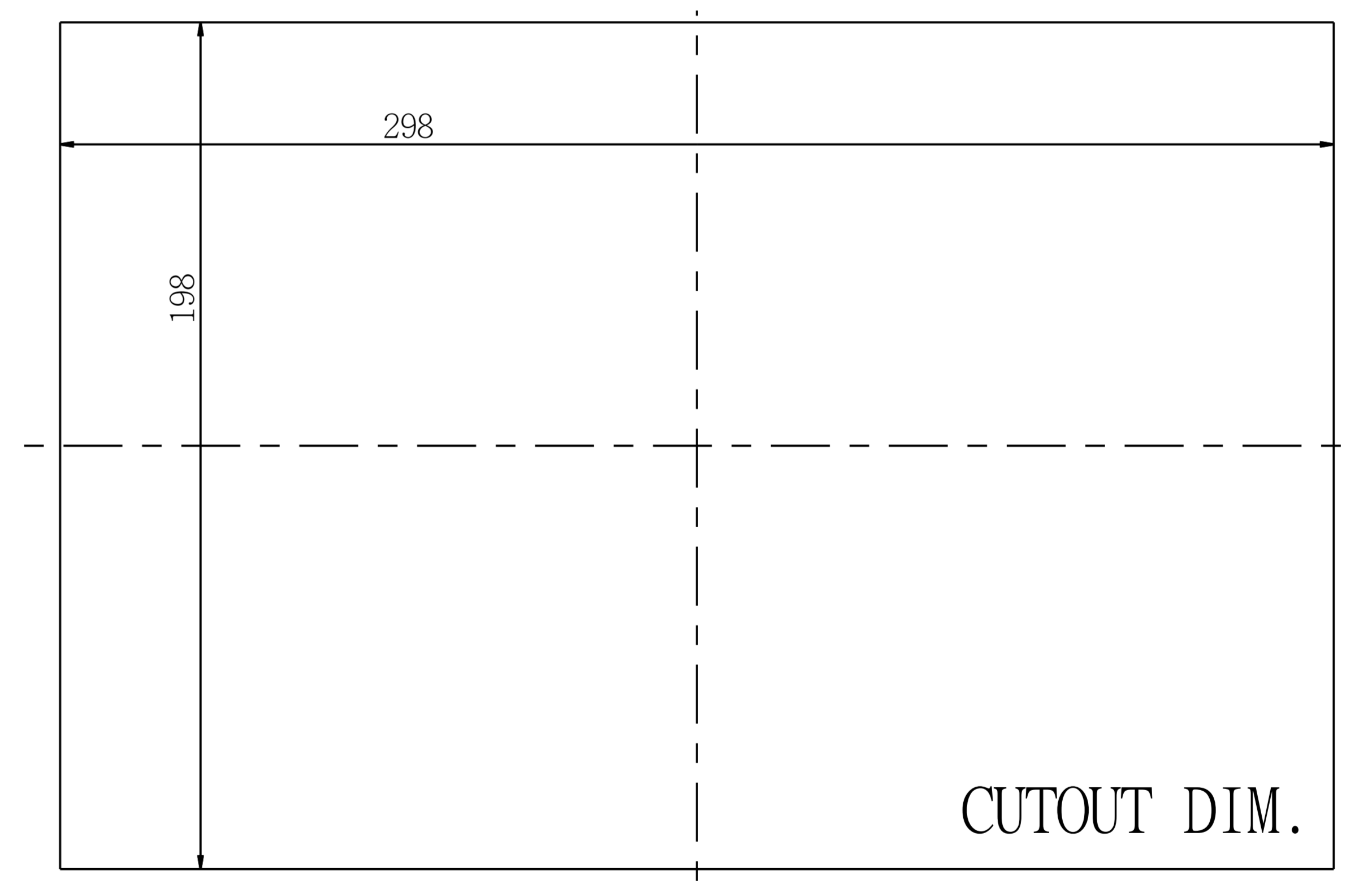
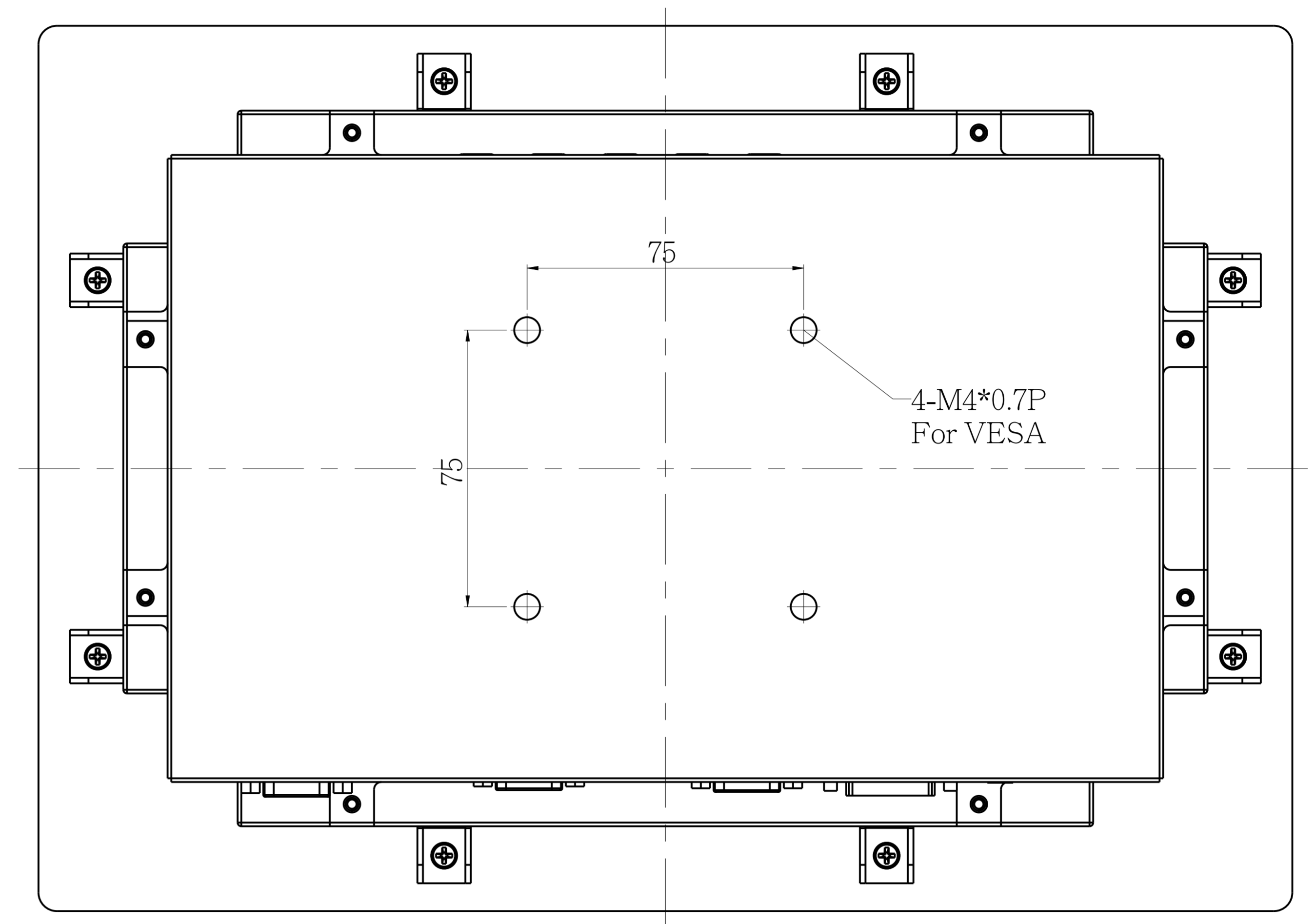
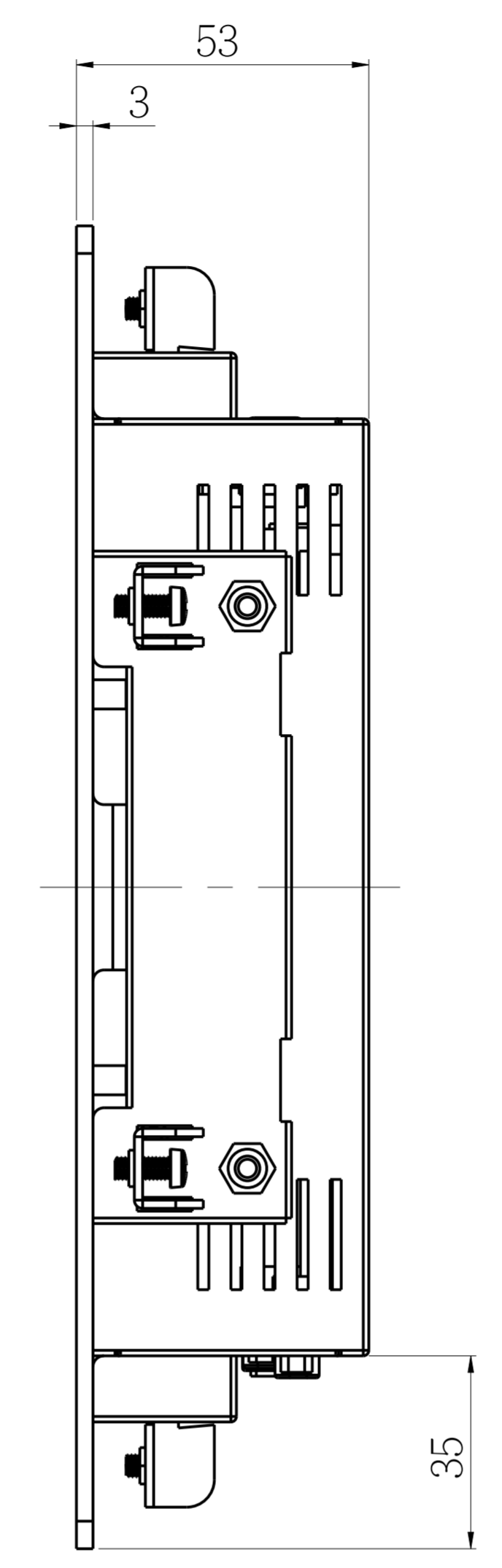
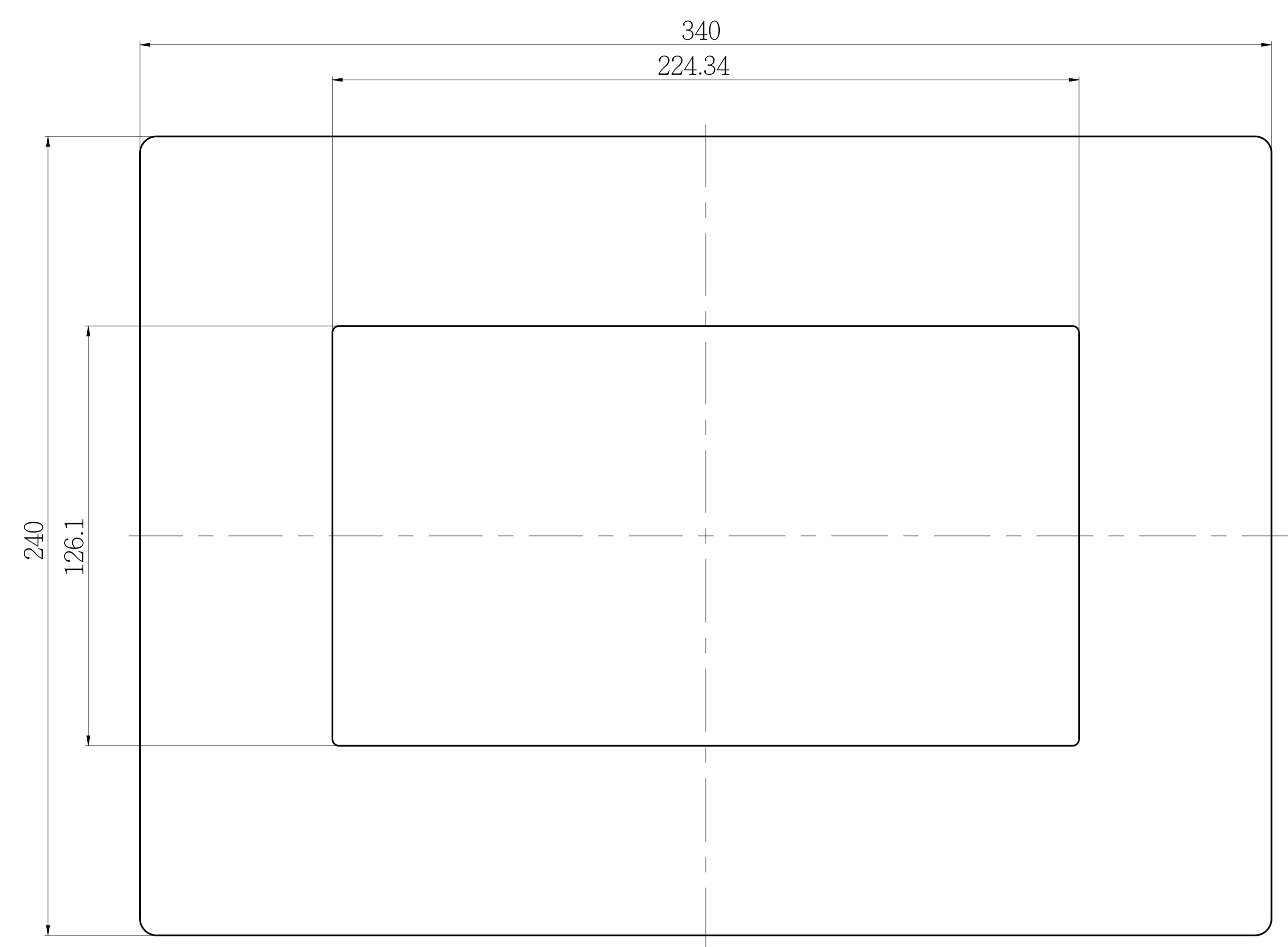
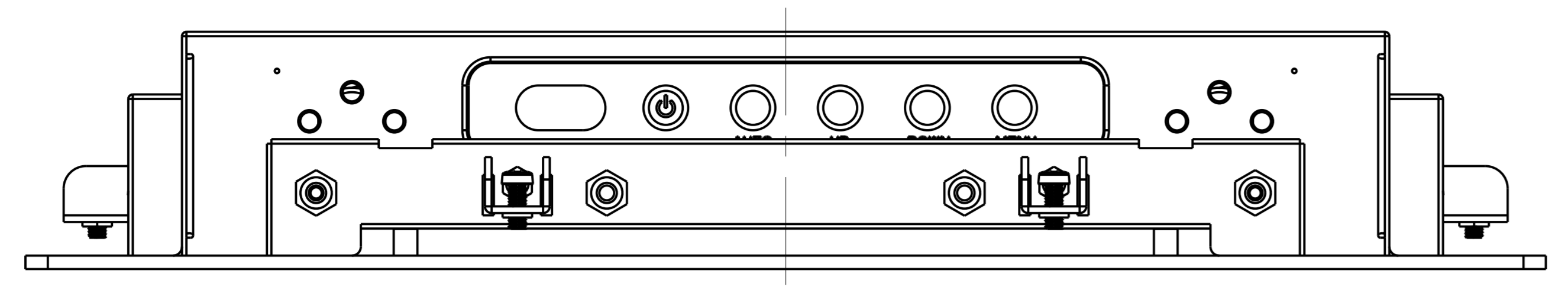
1 2 3 4 5

A A

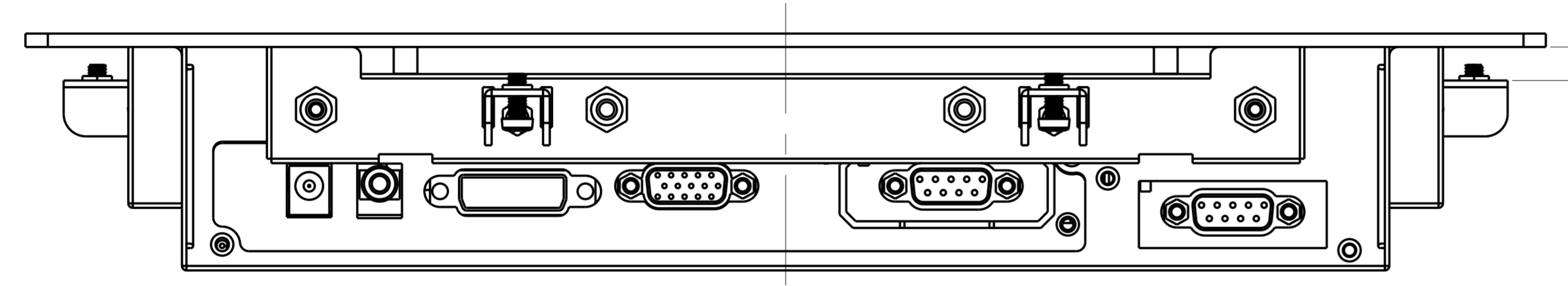
B B

C C

D D



Wall Max Depth is 12mm.



AD/BOARD		MODEL	ISPM1016 / SPM1016			泓瑜科技有限公司 WINSONIC TECH. CO., LTD.					
INVERTER											
KEY PAD											
PANEL:	VERSION	MATERIAL	METAL	DATE	2012-Jun-26	PART NAME	ASSEMBLY				
	V1					APPROVED	DRAWN	Chris	SCALE	1.000	
1	2	3	4	5		UNIT	MM				