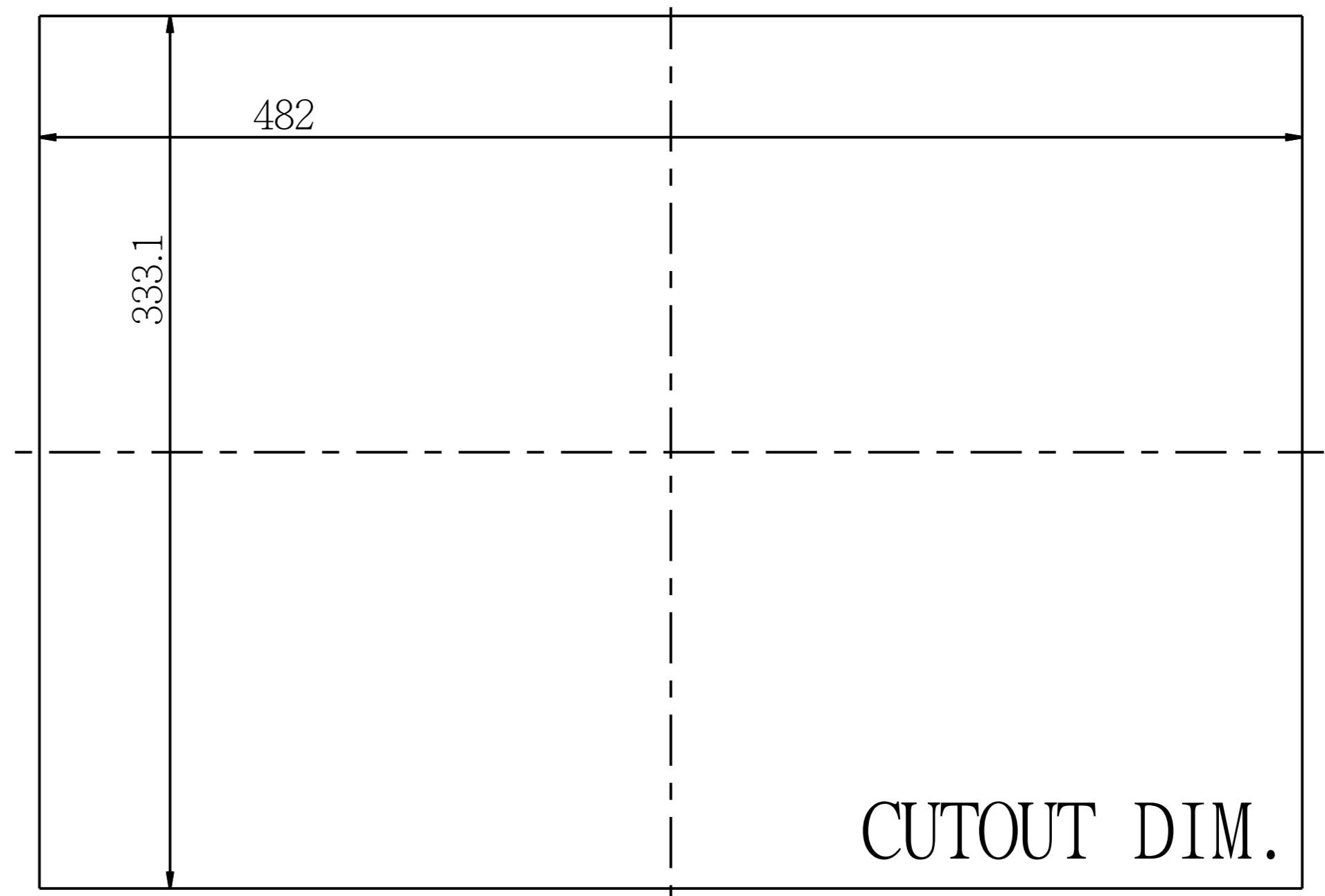


Wall Max Depth is 12mm.



AD/BOARD		MODEL	ISPM19W5 / SPM19W5			泓瑜科技有限公司 WINSONIC TECH. CO., LTD.				
INVERTER										
KEY PAD										
PANEL:	VERSION	MATERIAL	METAL	DATE	2012-Jul-03	PART NAME	ASSEMBLY			
	V1					APPROVED	DRAWN	Chris	SCALE	0.500

1

2

3

4

5