

1 2 3 4 5

A

B

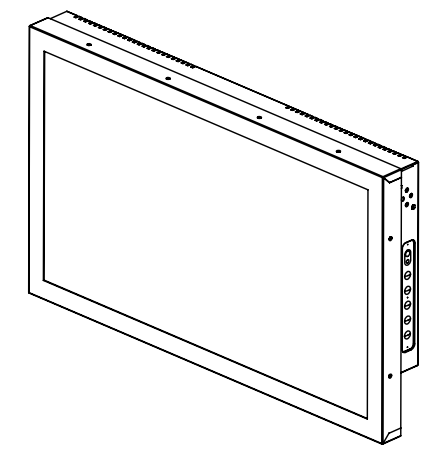
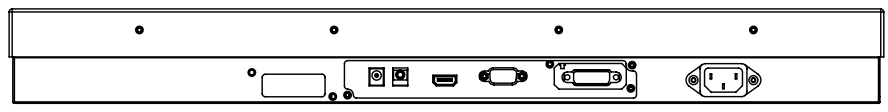
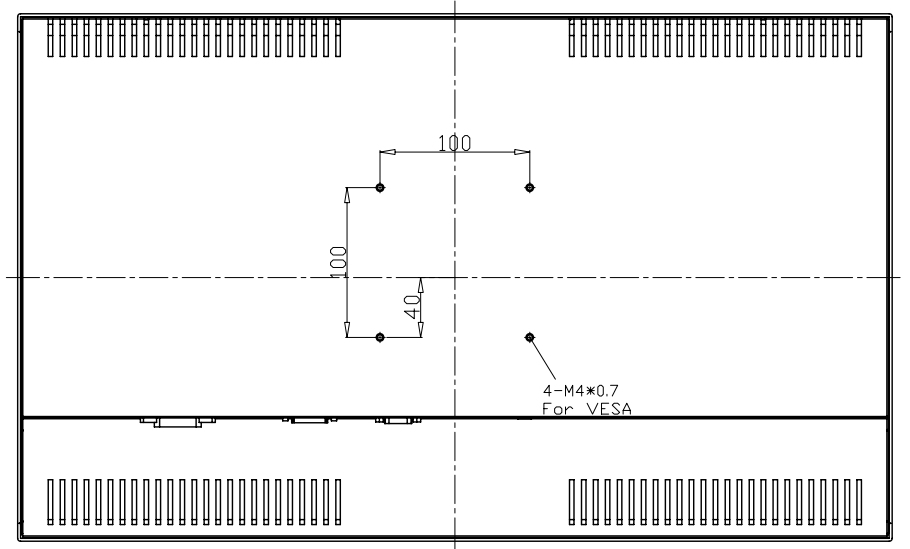
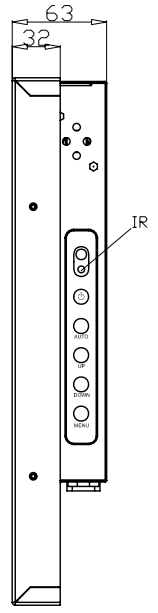
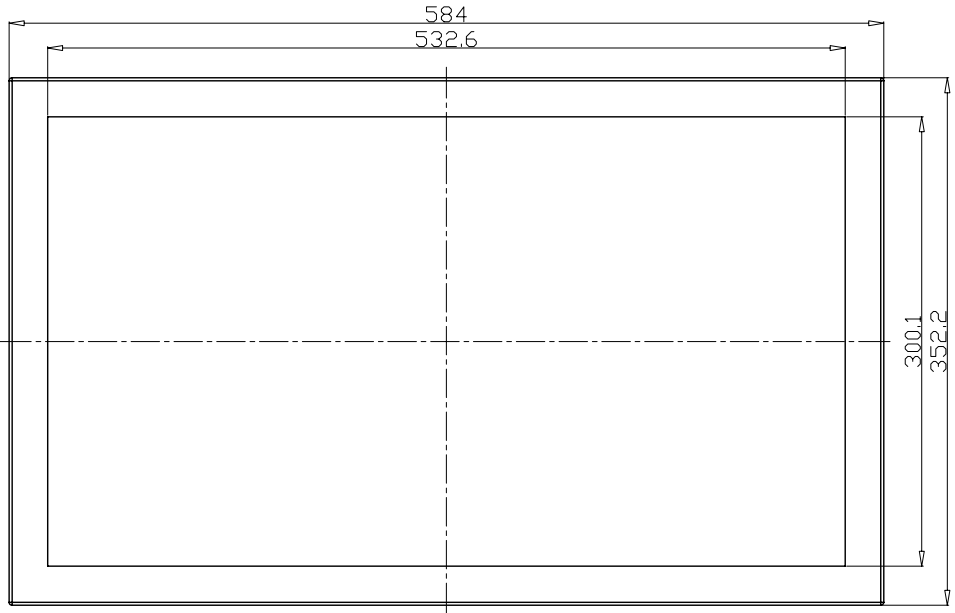
C

A

B

C

D



D

AD/BOARD		MODEL	ICH2405		泓瑜科技有限公司 WINSONIC TECH. CO., LTD.					
INVERTER		PART NO.							PART NAME	ASSEMBLY
KEY PAD		MATERIAL	SECC	DATE	2010-04-23	APPROVED		DRAWN	JACK	SCALE 1:1 UNIT MM
PANEL:	AU-M240HW01-V0									

1 2 3 4 5