

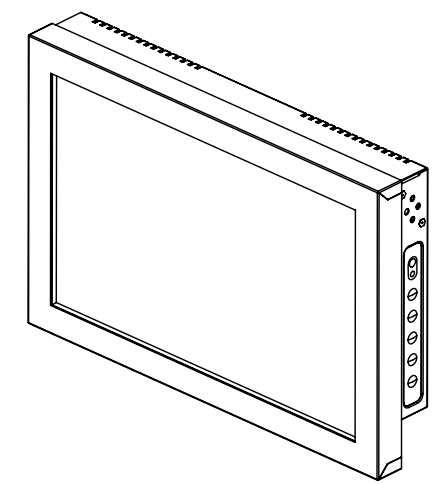
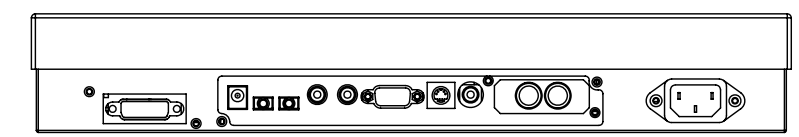
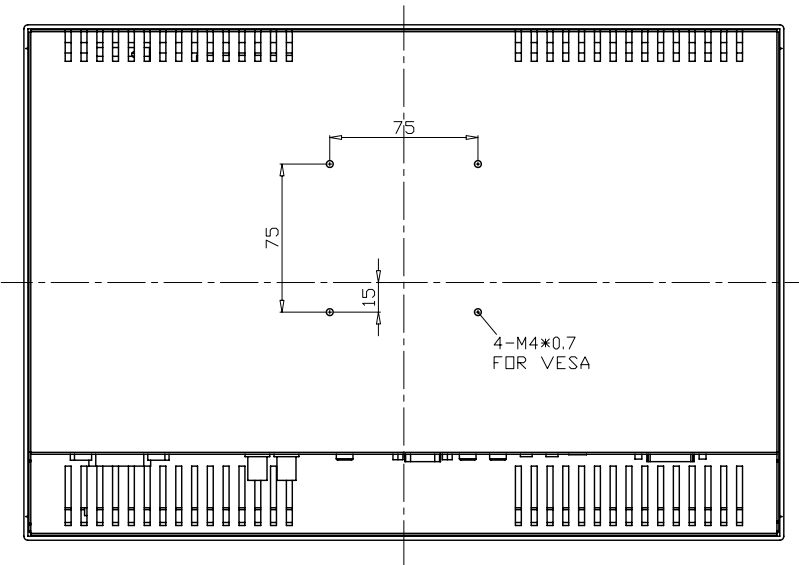
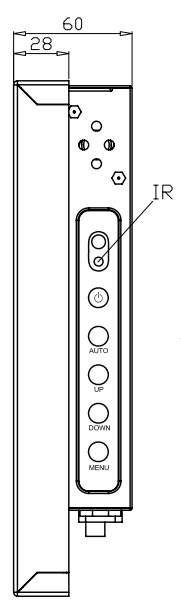
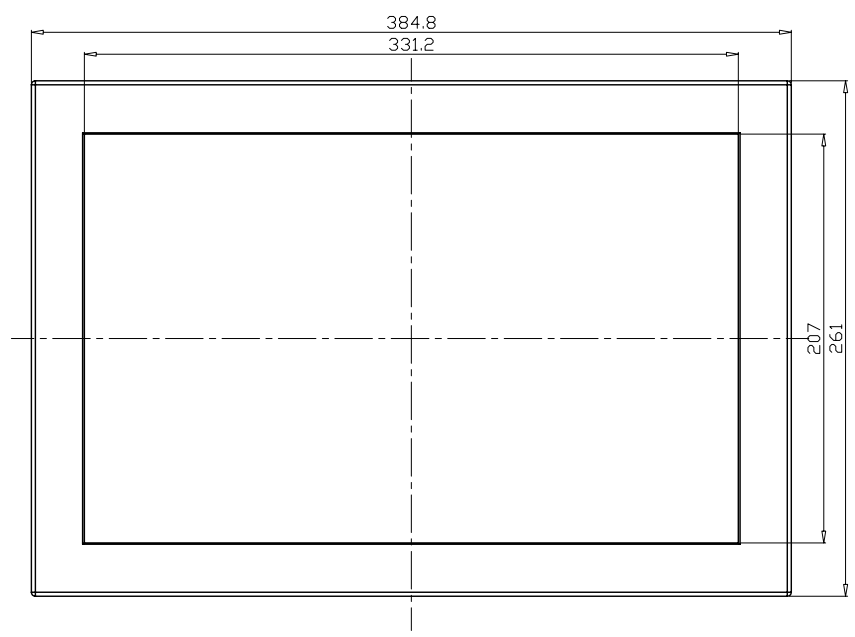
1 2 3 4 5

A

B

C

D



A

B

C

D

| | | | | | | | | | | | |
|------------------------------------|---------------|----------|---------|------|--------------------------------------|----------|--|-------|------|------|-----------|
| AD/BOARD | | MODEL | ICH1545 | | 泓瑜科技有限公司 WINSONIC TECH. CO., LTD. | | | | | | |
| INVERTER | DIN207/DIN403 | PART NO. | | | | | | | | | PART NAME |
| KEY PAD | PCBKEY019A0 | MATERIAL | SECC | DATE | 2010-04-23 | APPROVED | | DRAWN | JACK | UNIT | MM |
| PANEL: CMO-N15414-L02 NL154PW01 | | | | | | | | | | | |

1 2 3 4 5