

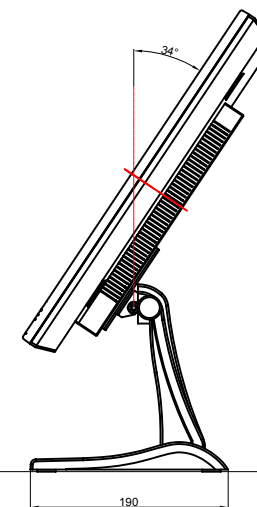
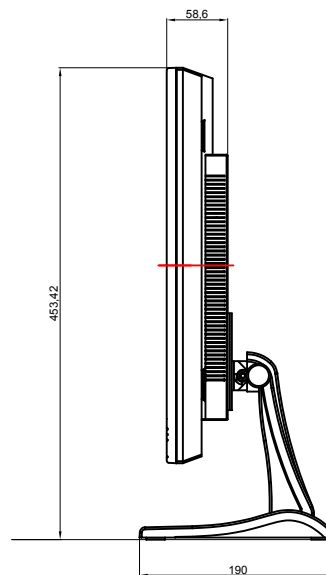
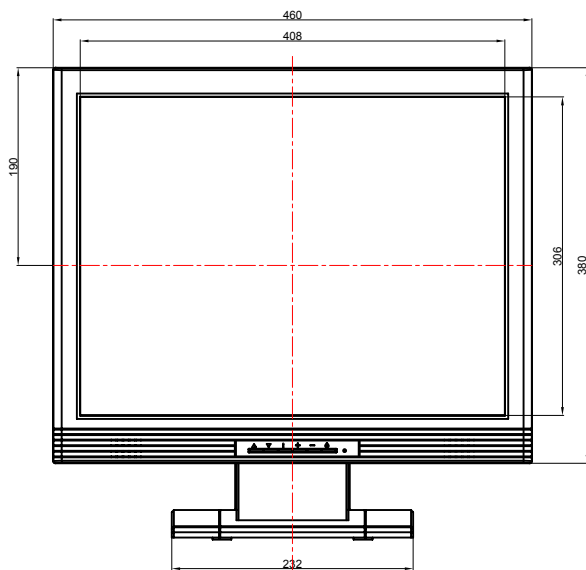
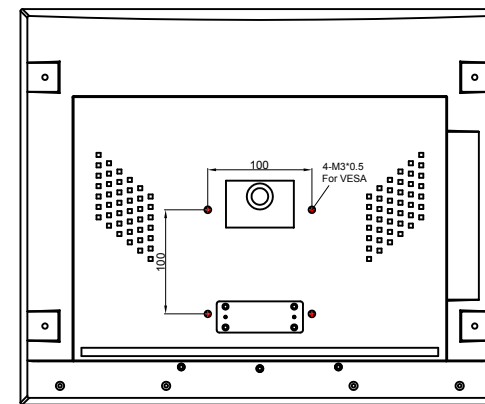
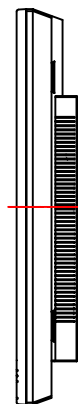
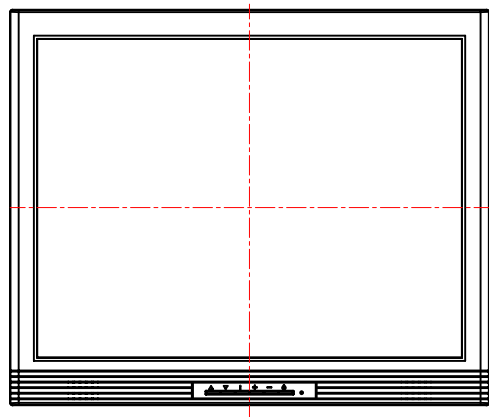
1 2 3 4 5

A

B

C

D



AD/BOARD	
INVERTER	
KEY PAD	
PANEL:	

MODEL	L2068		
PART NO.			
MATERIAL	PLASTIC	DATE	2011-Sep-22

泓瑜科技有限公司
WINSONIC TECH. CO., LTD.

PART NAME	ASSEMBLY			
APPROVED		DRAWN	JACK	SCALE 1:1
				UNIT MM