

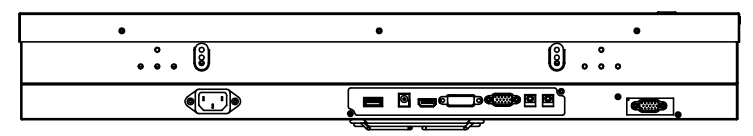
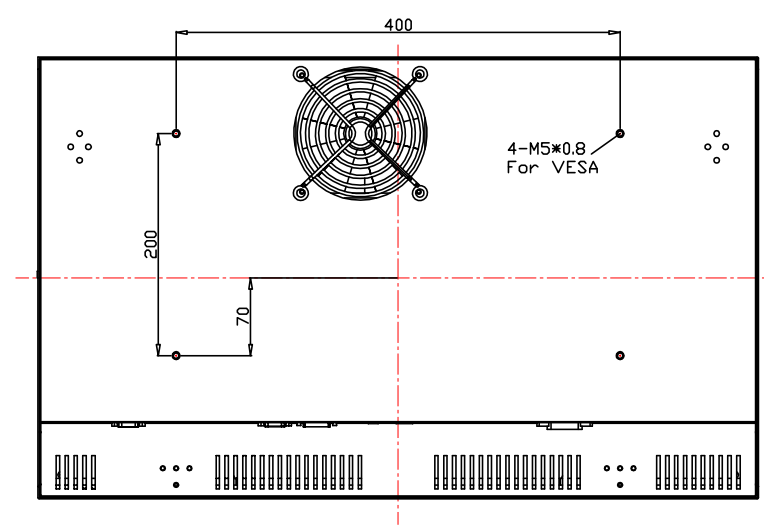
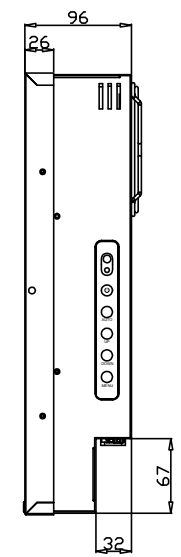
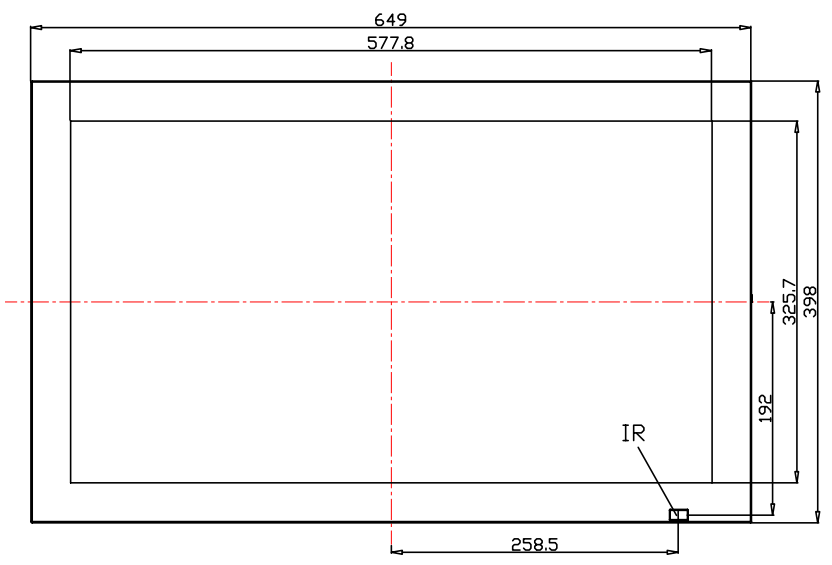
1 2 3 4 5

A

B

C

D



AD/BOARD		MODEL	CH2605v3 / SCH2605v3			泓瑜科技有限公司 WINSONIC TECH. CO., LTD.					
INVERTER											PART NAME
KEY PAD						VERSION	MATERIAL	METAL	DATE	2010-06-30	APPROVED
PANEL:		V1									

1 2 3 4 5