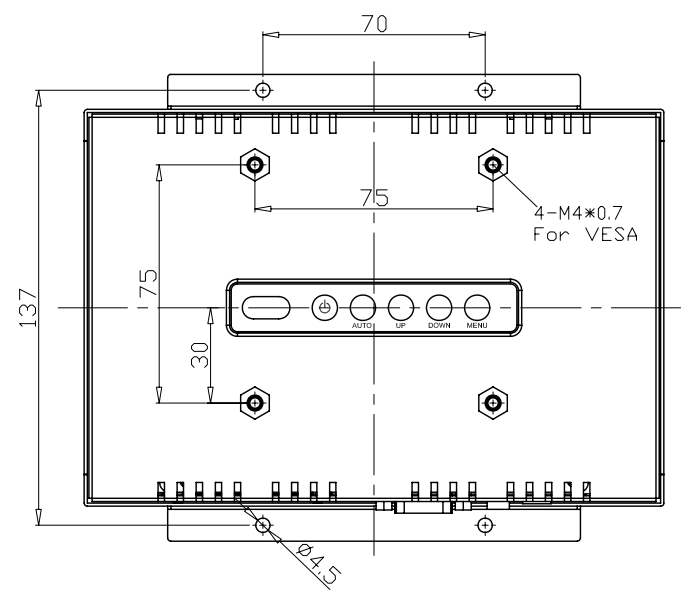
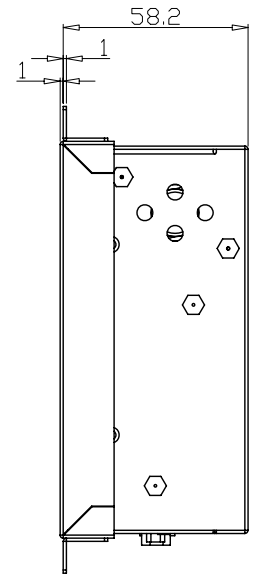
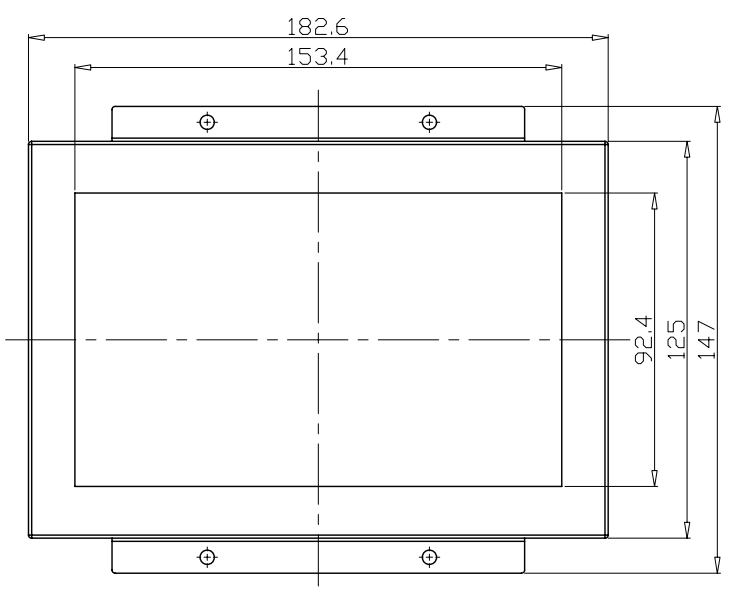


1 2 3 4 5

A



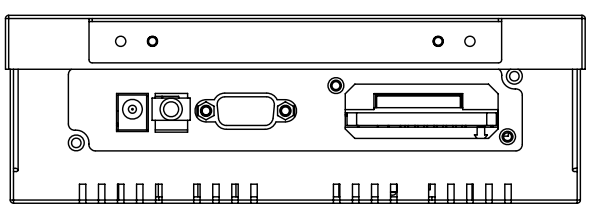
A

B

B

C

C



D

D

AD/BOARD		MODEL	CM0706		泓瑜科技有限公司 WINSONIC TECH. CO., LTD.			
INVERTER		PART NO.						
KEY PAD		MATERIAL	DATE	11/12/2009	APPROVED		DRAWN	JACK
PANEL:	AU-A070VW01 AU-C070VW02 AU-G070VW01							
							UNIT	MM

1 2 3 4 5