

A

B

C

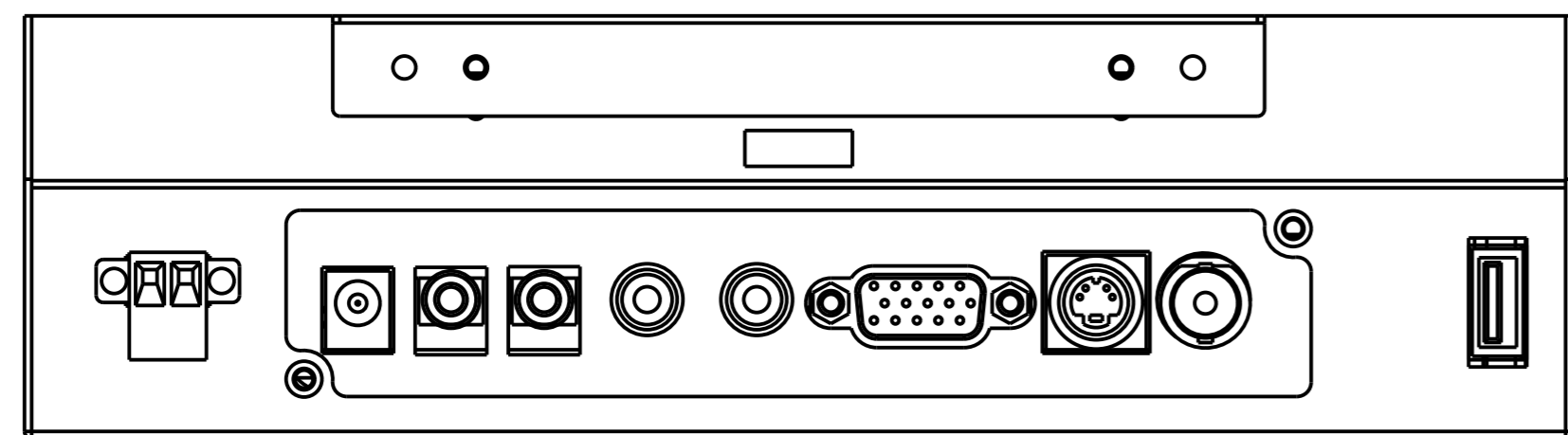
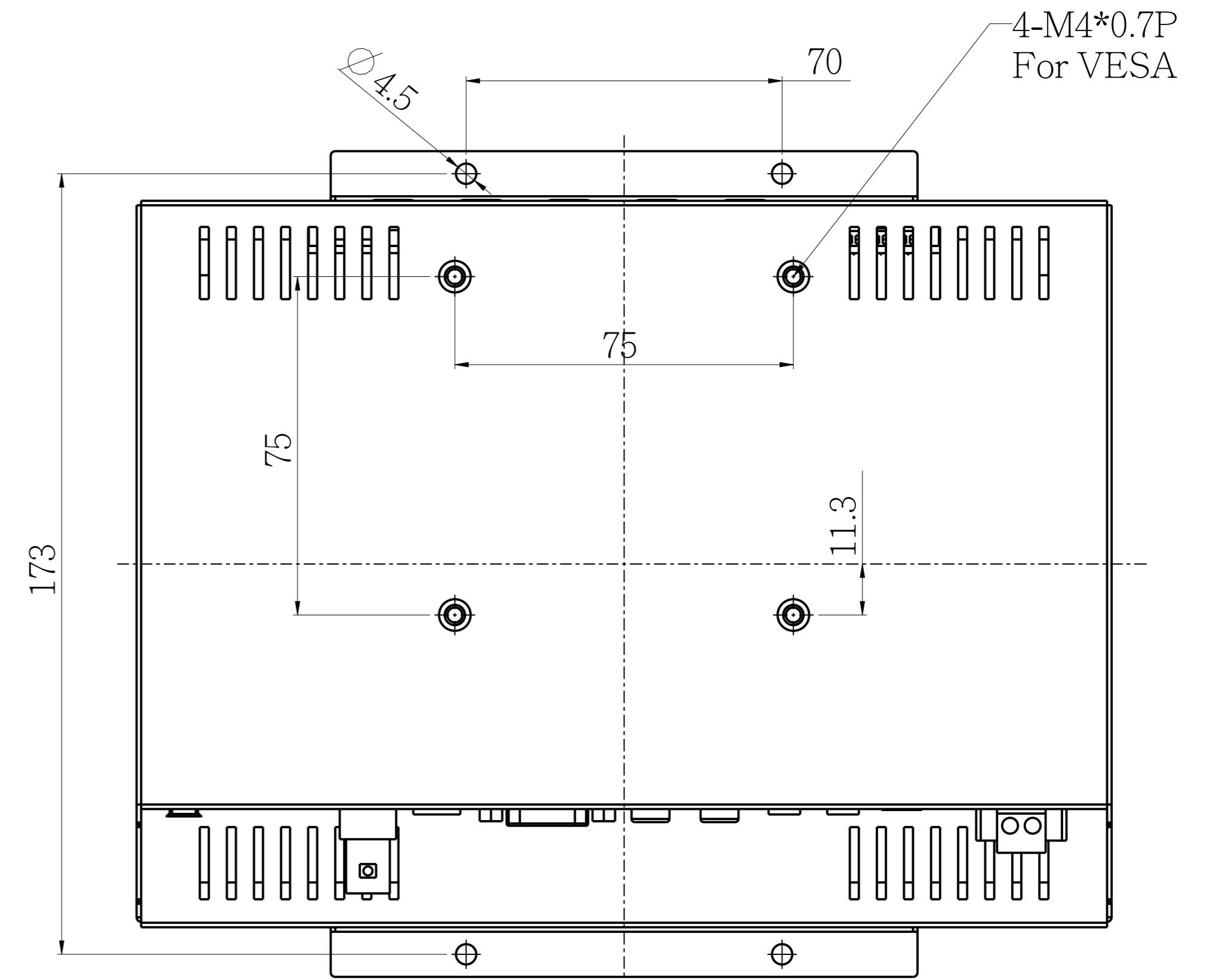
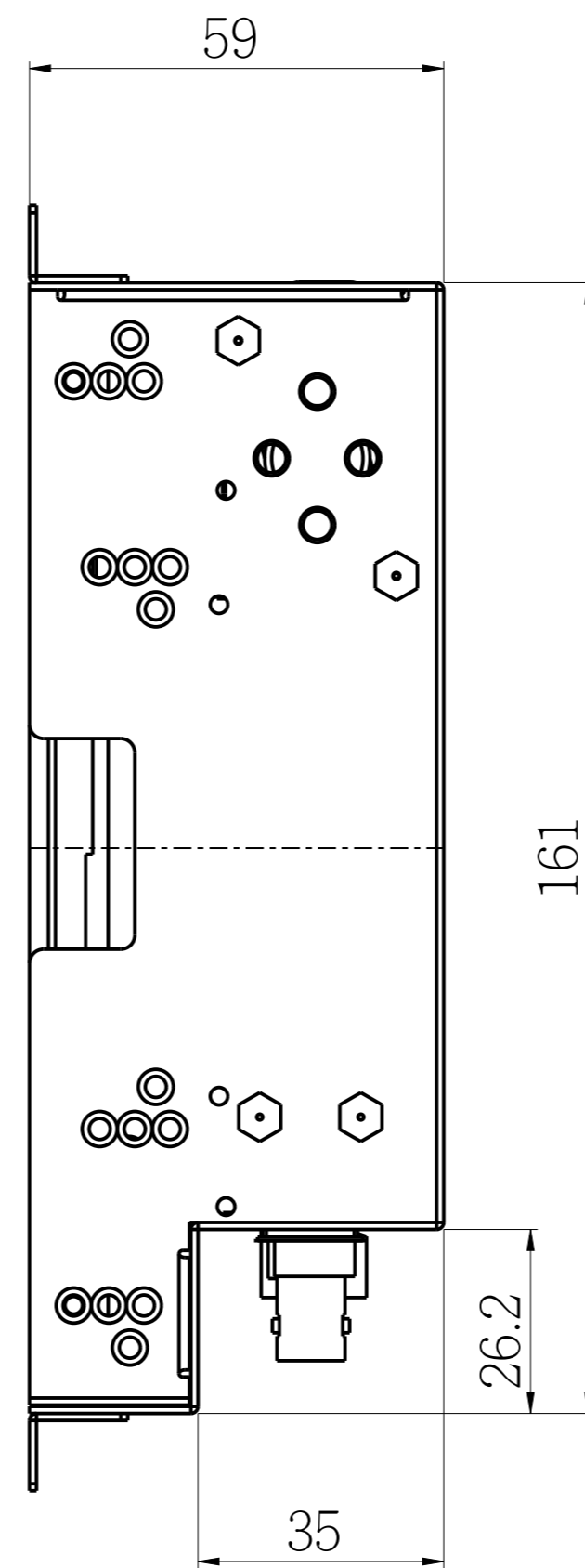
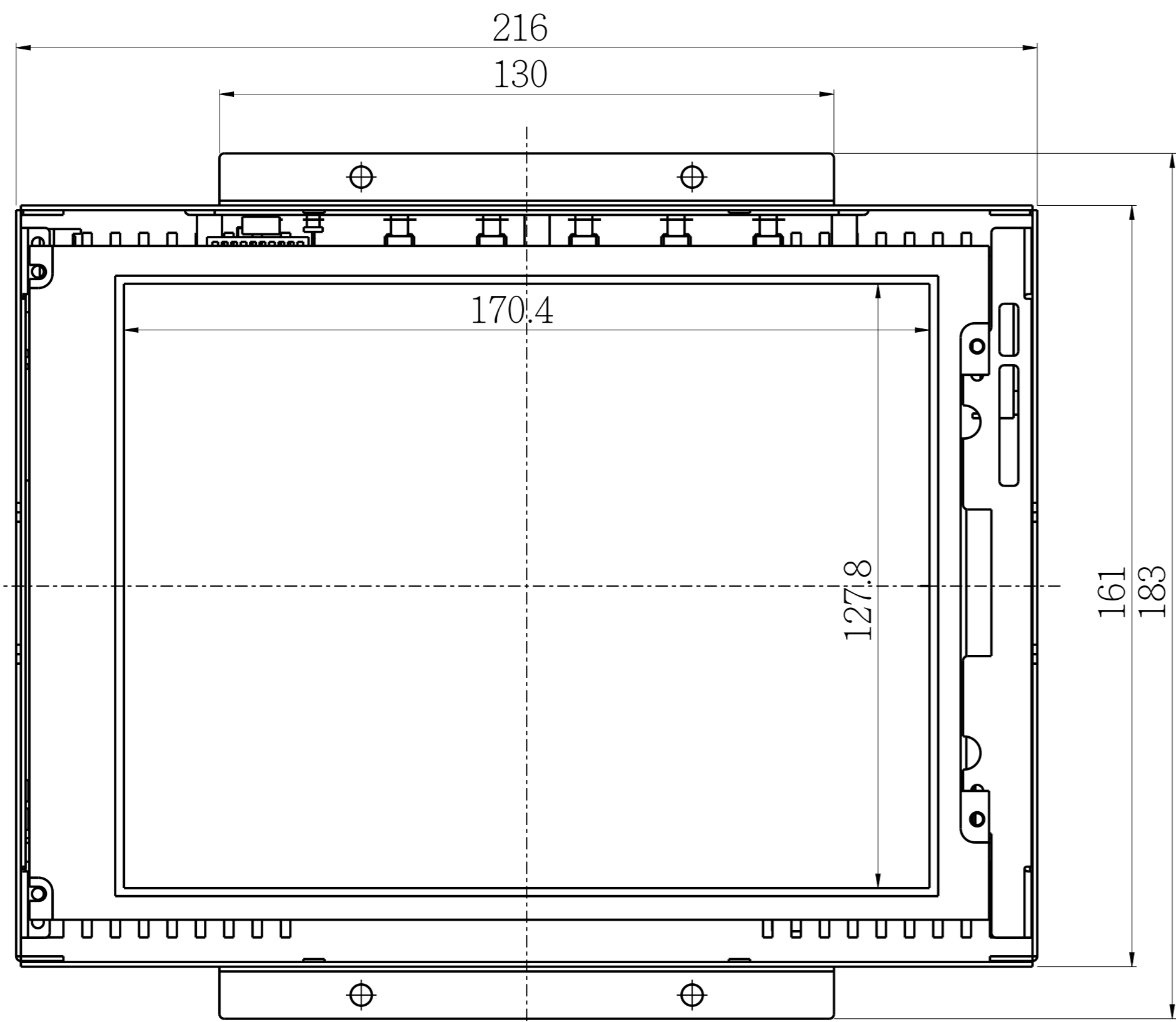
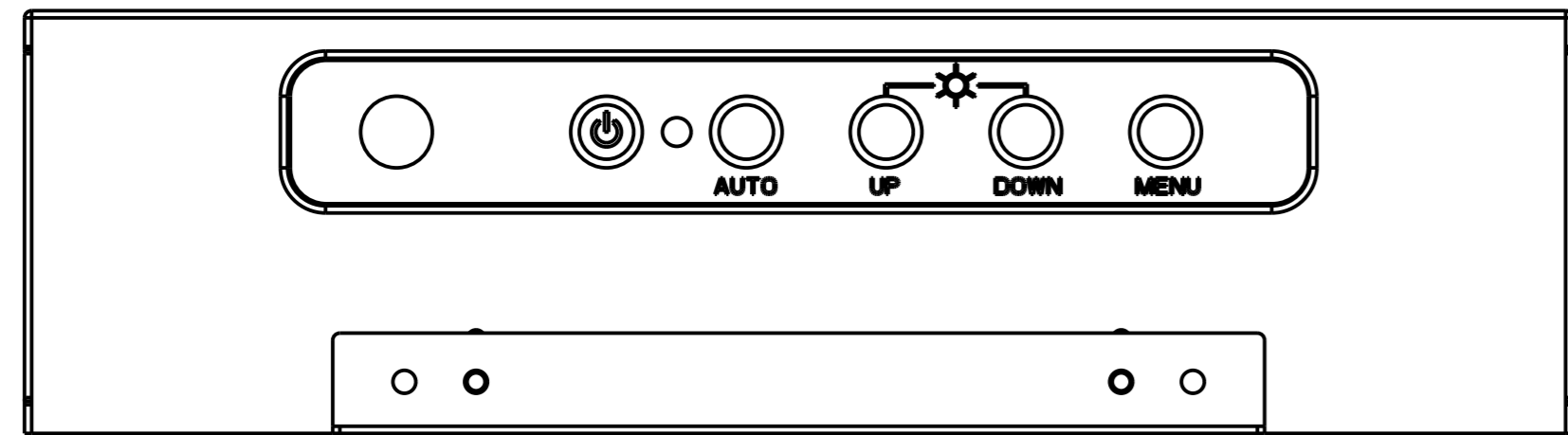
D

A

B

C

D



AD/BOARD		MODEL	OF0846	泓瑜科技有限公司 WINSONIC TECH. CO., LTD.			
INVERTER		PART NO.					
KEY PAD		MATERIAL	METAL	DATE	2012-Feb-06	APPROVED	
PANEL:						DRAWN	Jack
						SCALE	1.000
						UNIT	MM