

1 2 3 4 5

A

B

C

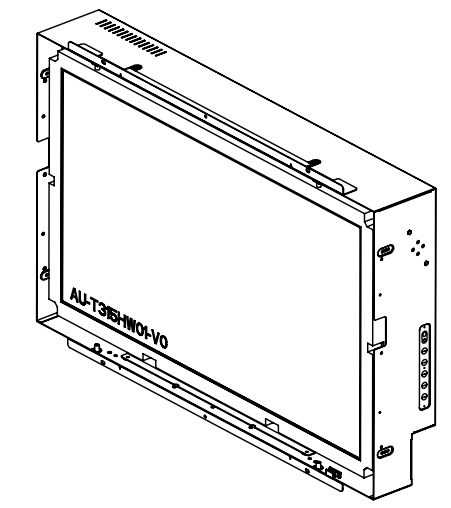
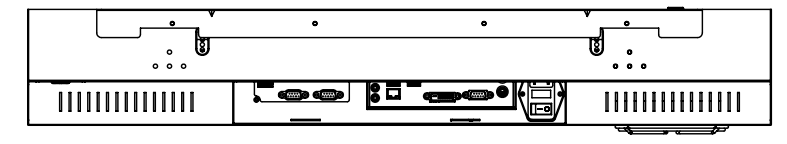
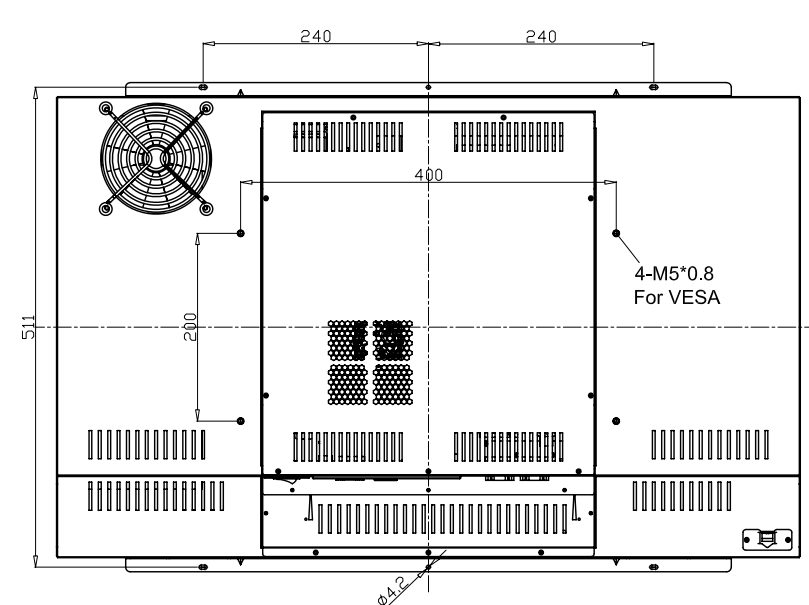
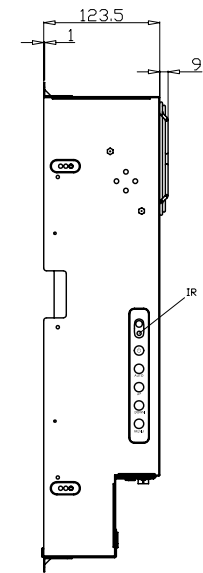
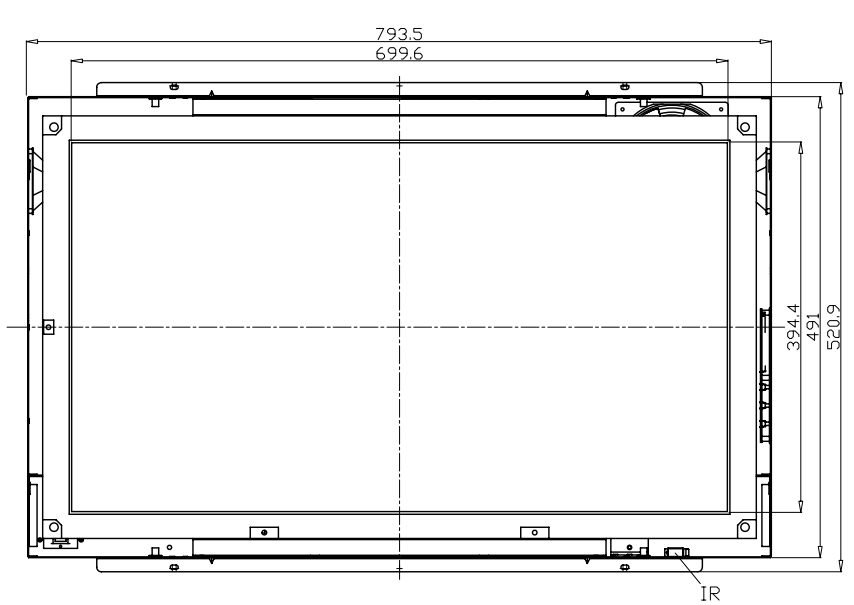
D

A

B

C

D



AD/BOARD		MODEL	POF3204/OF3204		泓瑜科技有限公司 WINSONIC TECH. CO., LTD.						
INVERTER		PART NO.									PART NAME
KEY PAD		MATERIAL		DATE	06/12/2009	APPROVED		DRAWN	JACK	DWG SIZE	
PANEL: AU-T315XW02_V6-120Hz AU-T315HW01-V0											

1 2 3 4 5