

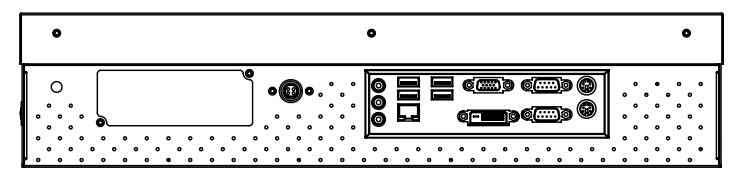
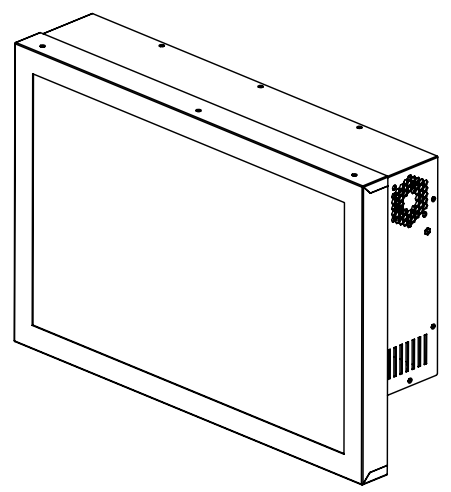
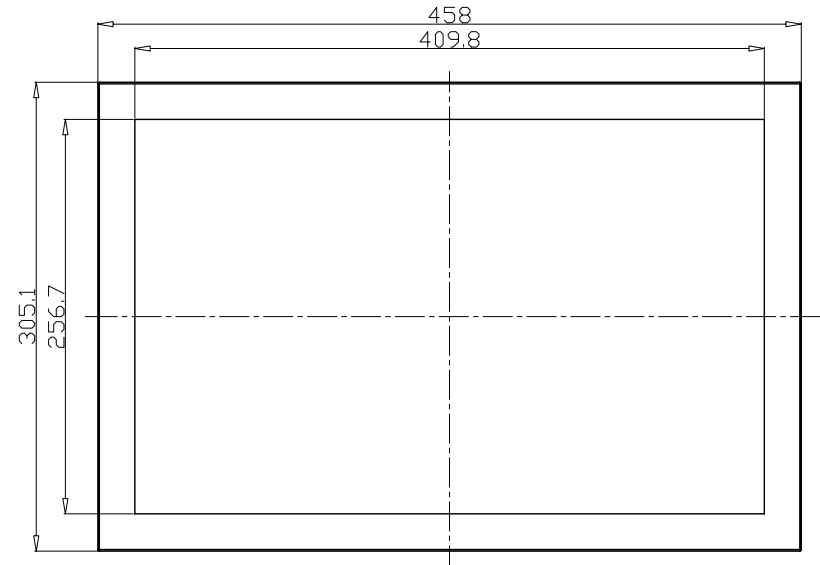
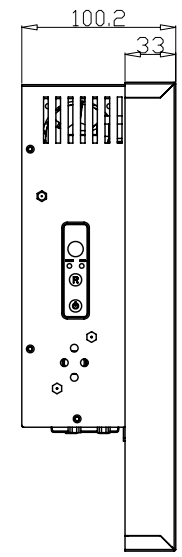
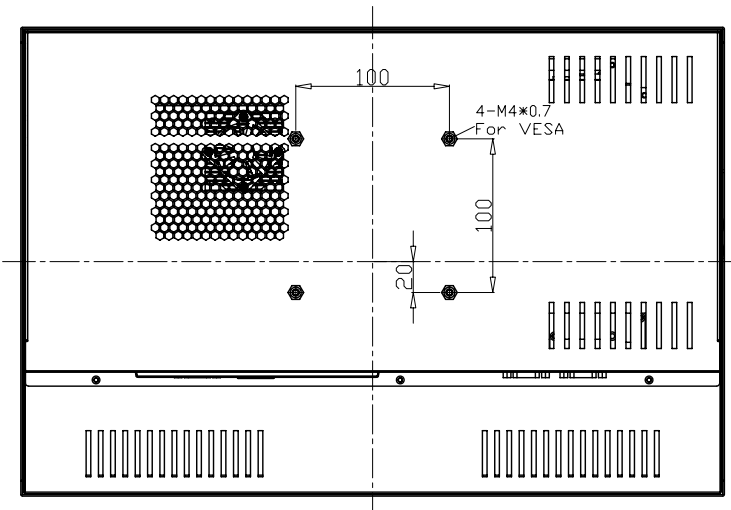
1 2 3 4 5

A

B

C

D



AD/BOARD		MODEL	PCH19W51		泓瑜科技有限公司 WINSONIC TECH. CO., LTD.					
INVERTER		PART NO.							PART NAME	ASSEMBLY
KEY PAD		MATERIAL		DATE	08/14/2009	APPROVED		DRAWN	JACK	REV. DWG SIZE
PANEL: CMO-M190A1-L02-Wide AU-M190PW01 V0 spec										

1 2 3 4 5