

1 2 3 4 5

A

B

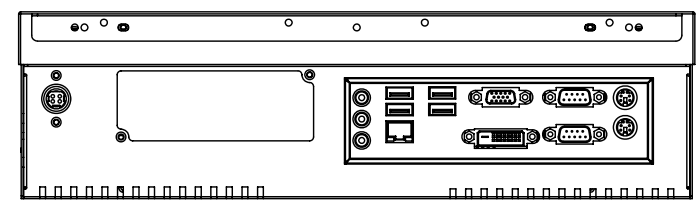
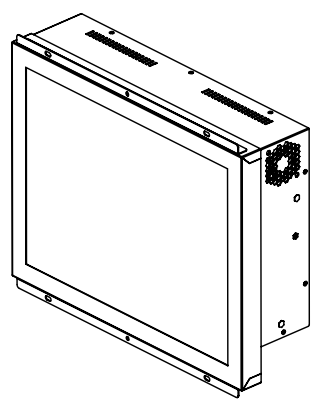
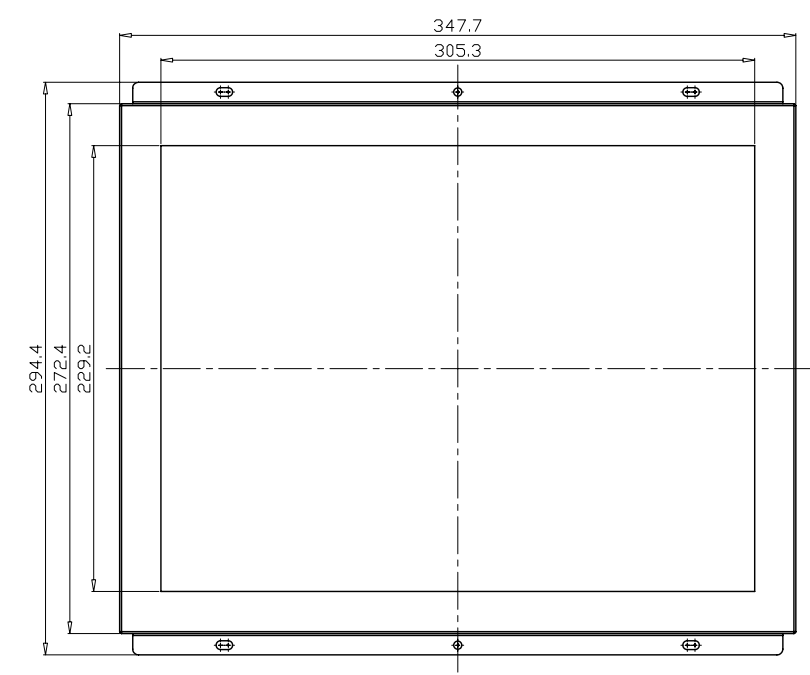
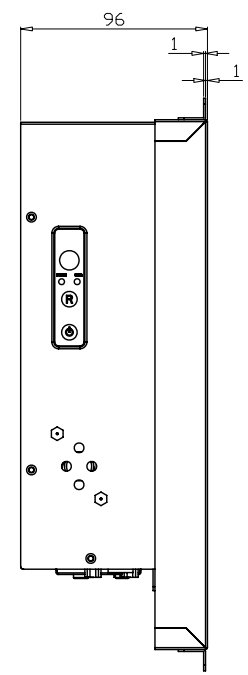
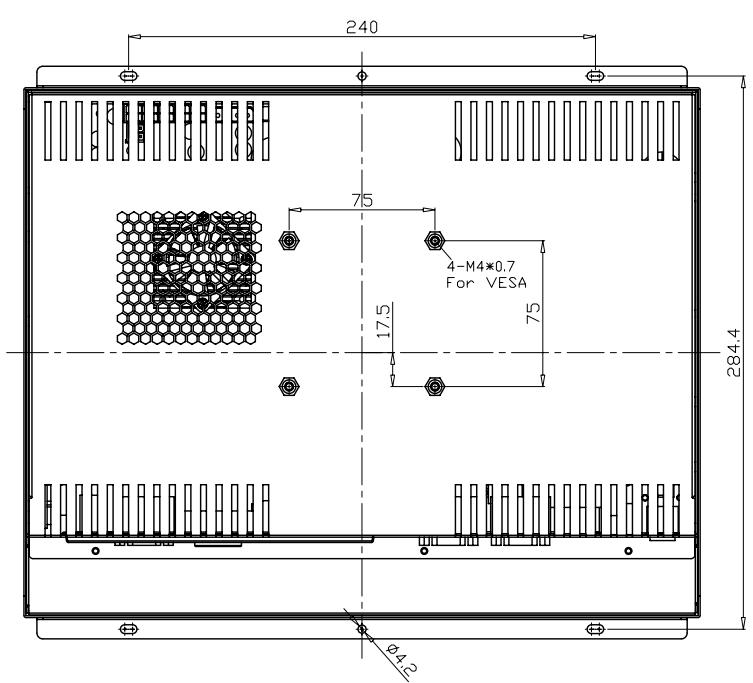
C

A

B

C

D



AD/BOARD		MODEL	PCM15051		泓瑜科技有限公司 WINSONIC TECH. CO., LTD.				
INVERTER		PART NO.							PART NAME
KEY PAD		MATERIAL	SECC	DATE	07/27/2009	APPROVED		DRAWN	JACK
PANEL: CMO-G150X1-L01_Approval_spec_ver_2.1_01 CMO-V150X1-L01 Approval Specification Ver2.0 AU-M150XN07 V.2-PS-2005.03.28 YS-150MS02 Sharp-LQ150X1LCD3									

1 2 3 4 5