

1 2 3 4 5

A

B

C

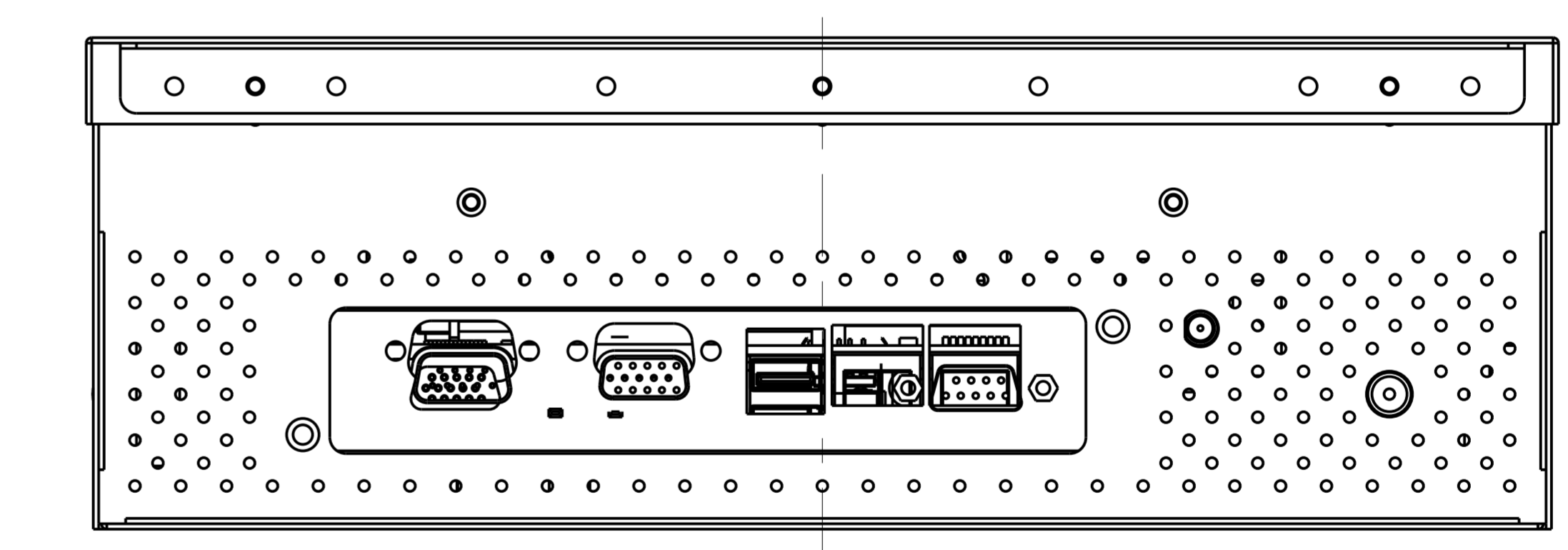
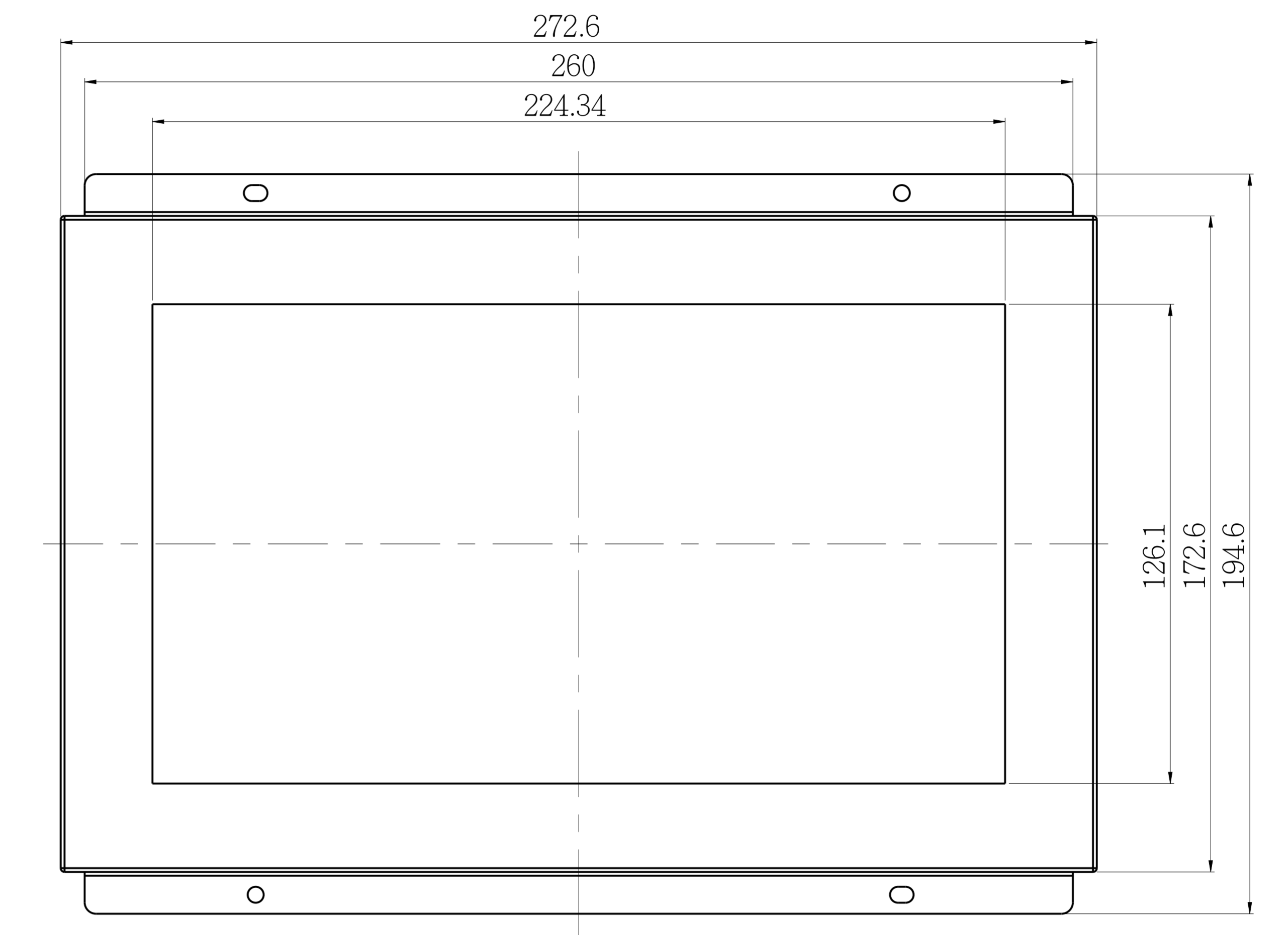
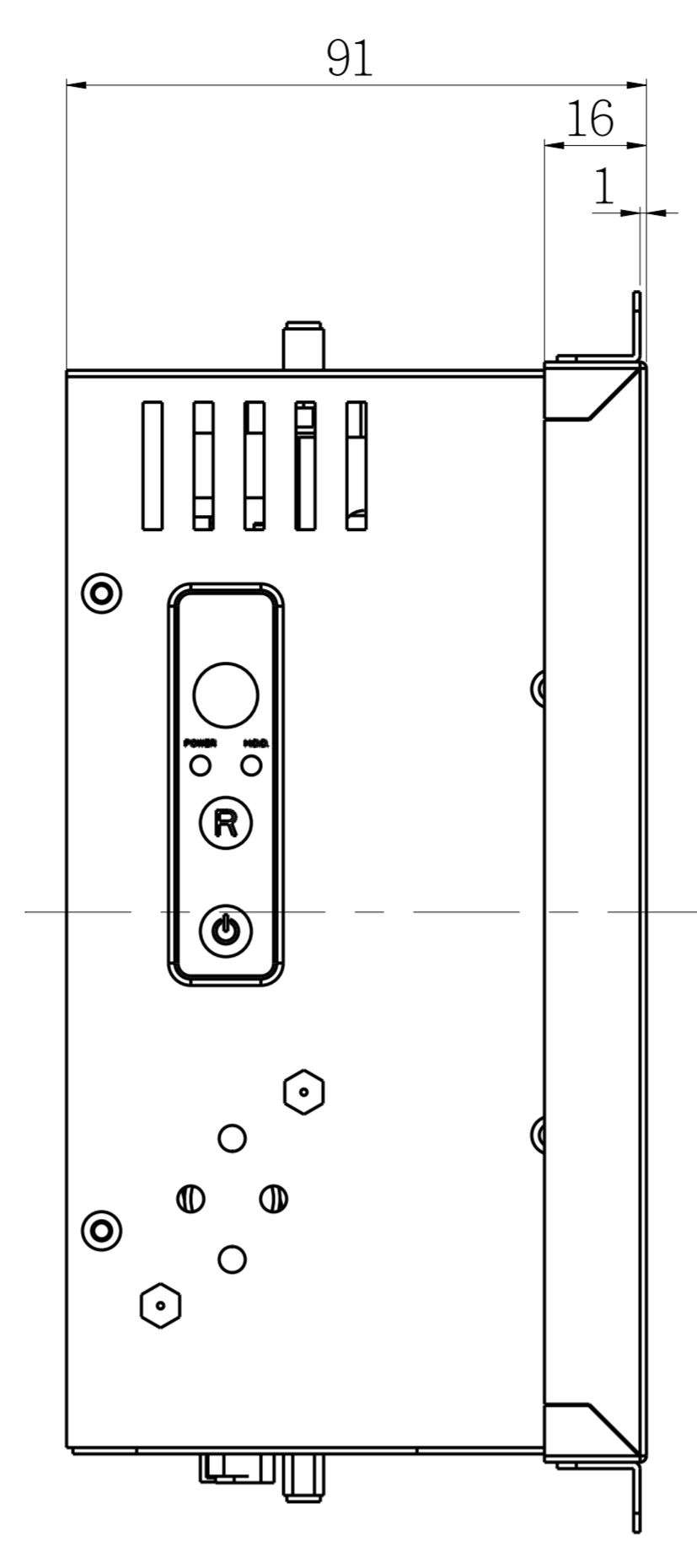
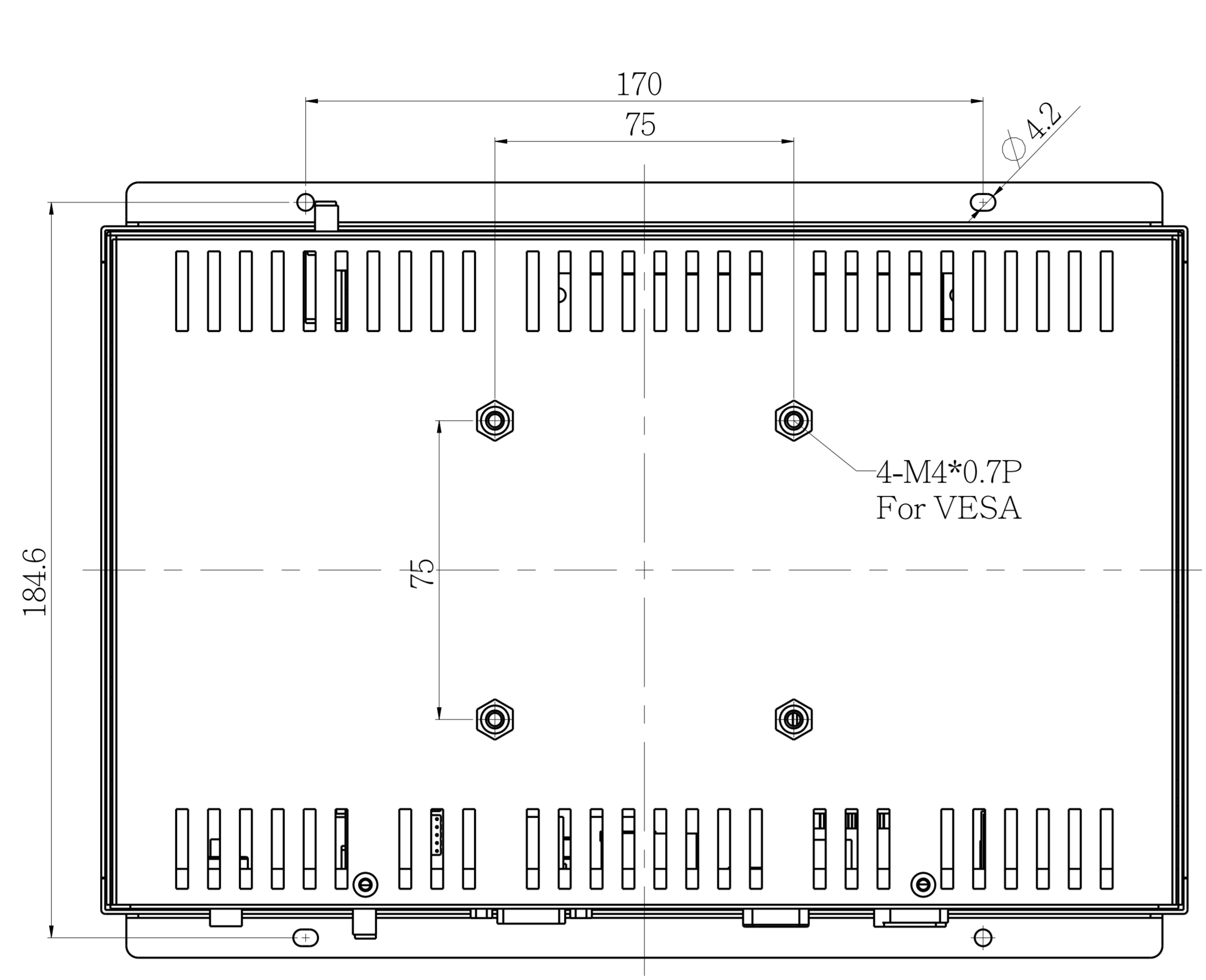
D

A

B

C

D



AD/BOARD						泓瑜科技有限公司 WINSONIC TECH. CO., LTD.						
INVERTER		MODEL	PCM10162									
KEY PAD												
PANEL:		VERSION	MATERIAL	METAL	DATE	2012-Jul-20	PART NAME	ASSEMBLY				
		V1					APPROVED	DRAWN	Chris	SCALE	1.000	
										UNIT	MM	
1		2		3		4		5				