

Wallmount Bracket / Ceiling Mount Bracket Rubber Gasket / Upper Bracket / NPT Bracket

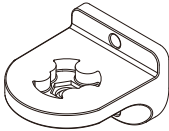

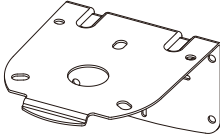
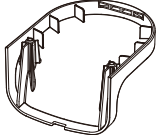
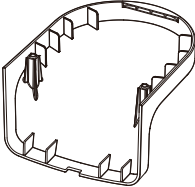
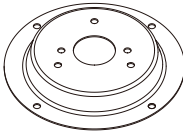


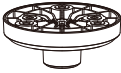
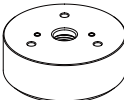
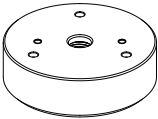
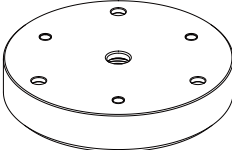
TYPE SZK / SZW / SZP

This product is an optional part for use in combination with its compatible models.

Compatible Model Rotating Beacons SK , Multi-function Beacons SF , Flashing Beacons SL

(Note) 1. Be sure to read the instruction manual included with the compatible Model in addition to this model.

(Top:Product Name Bottom:Model)

Wallmount Bracket	Wallmount Bracket	Wallmount Bracket	Wallmount Bracket Cover
SZK-101	SZK-102	SZK-103	SZK-104
			
Wallmount Bracket Cover	Ceiling Mount Bracket	Rubber Gasket	Rubber Gasket
SZK-105	SZW-101	SZW-102	SZW-103
			
Upper Bracket	NPT Bracket	NPT Bracket	NPT Bracket
SZP-101	SZP-102	SZP-103	SZP-104
			

Notice to Customer

- Thank you very much for purchasing our Patlite products.
- Request the installation and wiring be performed by a professional contractor if construction work is involved.
- Prior to installation, read this manual thoroughly before using this product to ensure correct use. In addition, please store this manual for future reference when performing maintenance, repairs or inspections.
- If there are any questions concerning this product, refer to the contact information at the end of this document and contact your nearest PATLITE Sales Representative.

To the Contractor

- Read this manual carefully prior to installation.

1 Read this First

NOTES TO BE OBSERVED FOR SAFE OPERATION

In order to prevent any damage to the user and other personnel or to assets, note the following:

- The degree of harm and damage that will occur when misuse is made by ignoring the contents of the icons indicated is explained below.

Warning

Indicates an imminently dangerous condition: failure to follow the instructions may lead to death or serious injury.

Caution

Indicates a potentially dangerous condition: failure to follow the instructions may lead to slight injury or property damage.

Warning

- To prevent from **damage**, observe the following:
 - Use this product in a **properly maintained condition**.
- Request the installation and wiring be performed by a **professional contractor** if construction work is involved. Failure to comply may result in **fire, electric shock or falling from high places possible cause of failure may occur**.
- When this product is used for security purposes, it should be inspected daily.
- After installation, do not use this product to climb up onto the equipment with. Failure to comply will result in product damage and/or falling off the machinery.

Caution

- Do not disassemble or remove during operation.

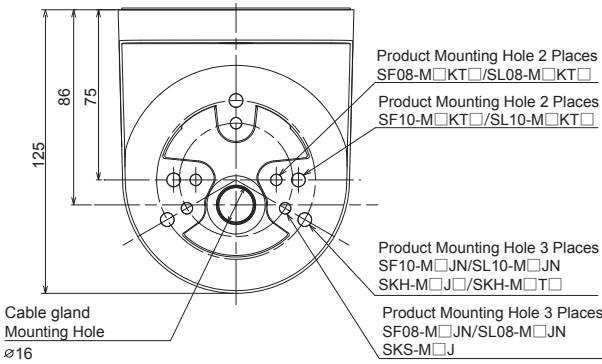
Notice

- Use a soft cloth, etc., dampened with water to wipe the product. Do not use cleaners containing thinner benzine gasoline, oil, Chemicals, etc., to wipe with. It may result in discoloration and deterioration.
- To ensure safety when this optional part is installed into equipment, observe the following:
 - Do not, by any means, disassemble or modify this product.

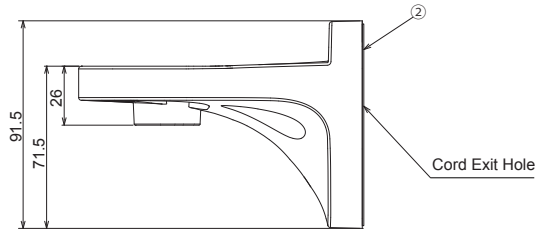
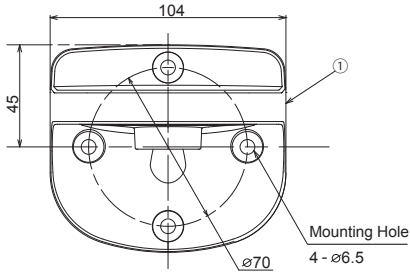
2 Name and Dimensions

TYPE SZK-101

Unit : mm



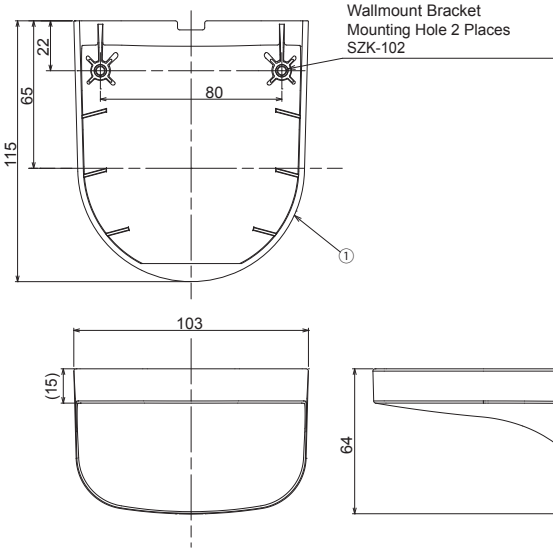
No.	Name	Material
1	Wallmount Bracket	PC
2	Waterproof sheet t = 1.0	CR



※ The Product Mounting Holes and Cable gland Mounting Holes are perforated.
Check 「How to perforate in Product Mounting (11 page)」 for how to drill holes.

TYPE SZK-104

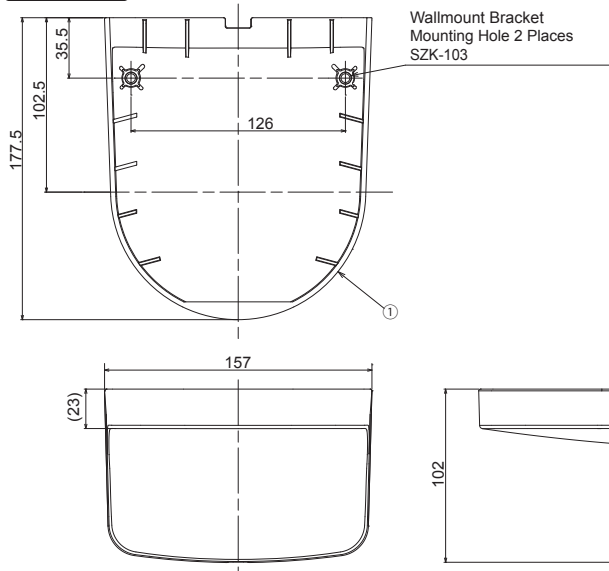
Unit : mm



No.	Name	Material
1	Wallmount Bracket Cover	PC

Accessory	Material
Head Tapping Screw 4×12 2 pieces	SUS

TYPE SZK-105

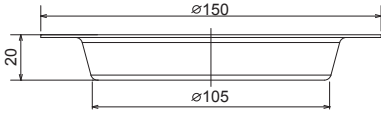


No.	Name	Material
1	Wallmount Bracket Cover	PC

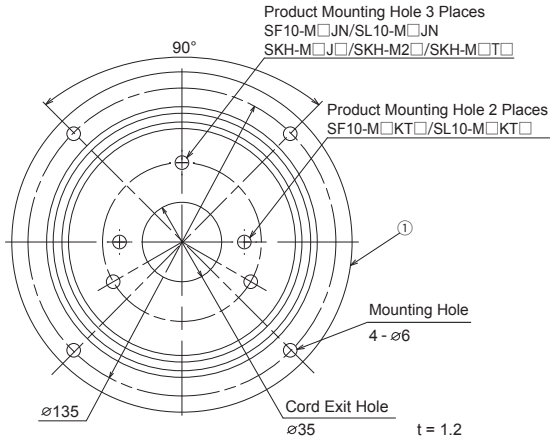
Accessory	Material
Head Tapping Screw 5×16 2 pieces	SUS

TYPE SZW-101

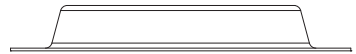
Unit : mm



No.	Name	Material
1	Ceiling Mount Bracket	SUS



Upright

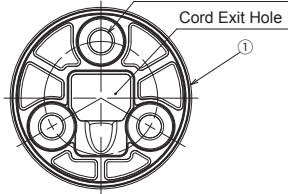


Inverted

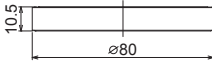
TYPE SZW-102

Unit : mm

Product Mounting Hole 3 Places
 SF08-M□JN/SL08-M□JN
 SKS-M□J□/SKS-M2

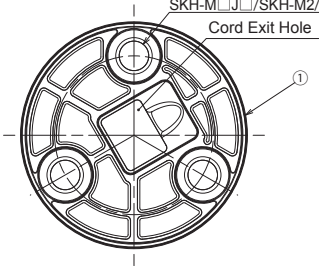


No.	Name	Material
1	Rubber Gasket	Silicone

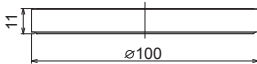


TYPE SZW-103

Product Mounting Hole 3 Places
 SF10-M□JN/SL10-M□JN
 SKH-M□J□/SKH-M2/SKH-M□T□

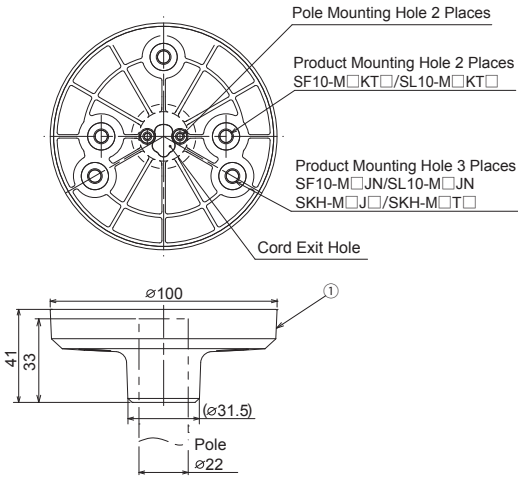


No.	Name	Material
1	Rubber Gasket	Silicone



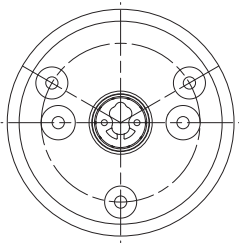
TYPE SZP-101

単位：mm



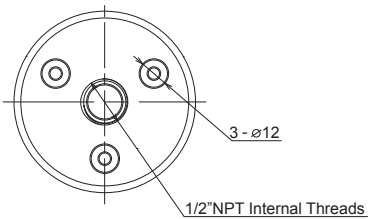
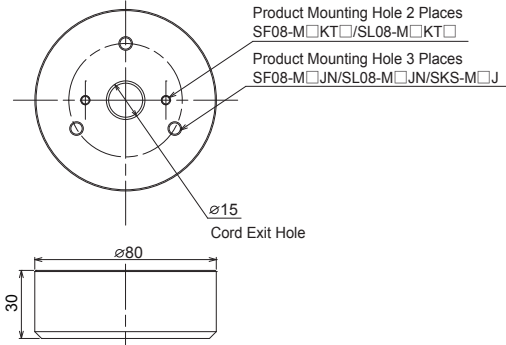
No.	Name	Material
1	Upper Bracket	PC

Accessory	Material
Pole waterproof sheet a piece	Silicone
Waterproof sheet a piece	PUR

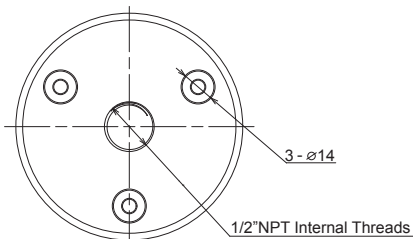
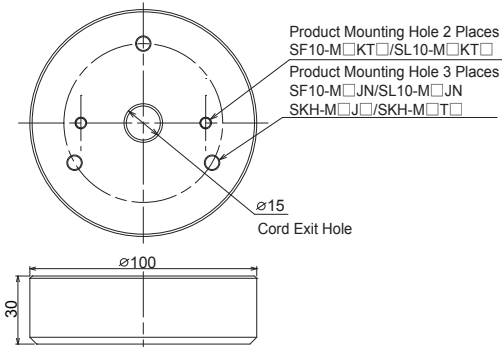


TYPE SZP-102

Unit : mm

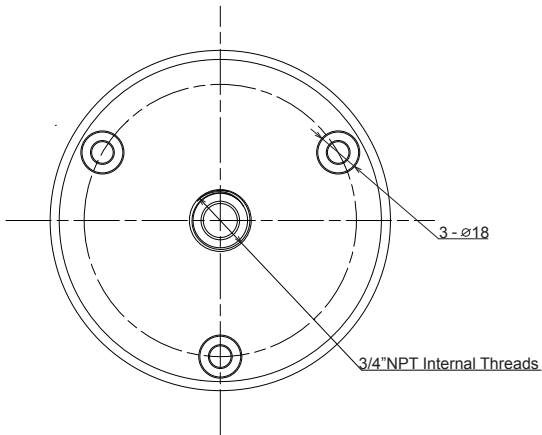
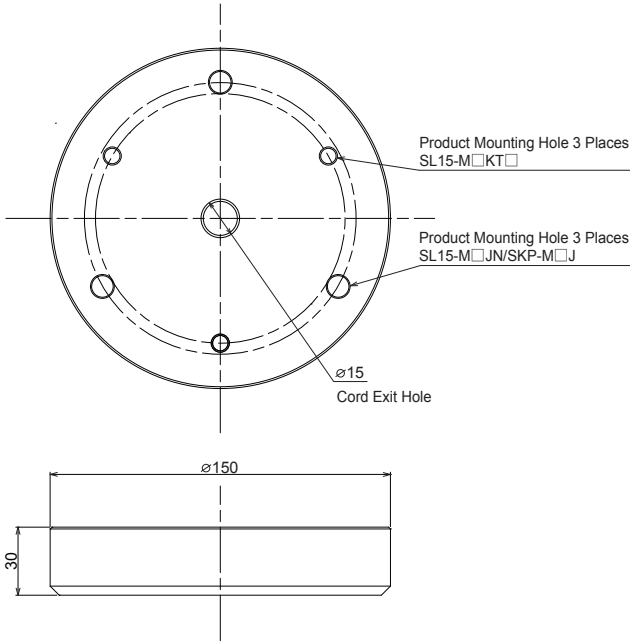


TYPE SZP-103



TYPE SZP-104

Unit : mm



3 Installation

Notice

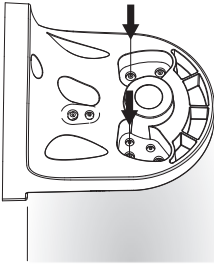
- The following requirements are necessary for proper installation:
 - Install the signal tower where **excessive vibration** is not present.
 - Install the signal tower on a **sturdy surface**. - Install the signal tower on a **level surface**.
- When waterproof sheet must be used before installation.
Provide a sealant coating around the wire exit hole, or use a Cable Gland.
- Be sure to read the applicable instruction manual for the compatible model in addition to this model.

TYPE SZK-101

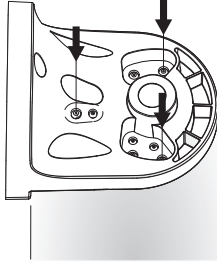
⚠ Caution

- When using a cable gland, be sure to use the cable specification Rotating Beacons and Multi-function Beacons, Flashing Beacons.
- Do not open unused mounting holes. If it is accidentally opened, waterproof it.
- Be sure to burr after drilling.
- Recommend a recommended cable gland that has a mounting screw size of M16 x 20 mm or less and that satisfies the applicable cable $\varnothing 7$ to 8 mm.

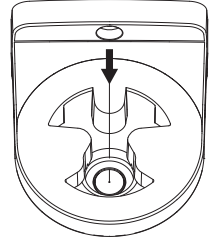
How to perforate in Product Mounting



Product Mounting Hole 2 places
(SF10-KT/SL10-KT)



Product Mounting Hole 3 places
(SF10-J/SL10-J/SKH)



Cable gland Mounting Hole

- In the case of Product Mounting Hole

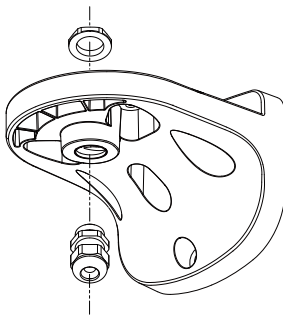
Place the top surface on a flat surface and drill holes from below surface.

Model	Drill	Punched part
SF08-KT/SL08-KT	$\varnothing 5\text{mm}$	2
SF10-KT/SL10-KT	$\varnothing 6\text{mm}$	2
SF08-J/SL08-J/SKS	$\varnothing 5\text{mm}$	3
SF10-J/SL10-J/SKH	$\varnothing 6\text{mm}$	3

- In the case of Cable gland

Drill a $\varnothing 16$ hole from above.

Cable gland Install



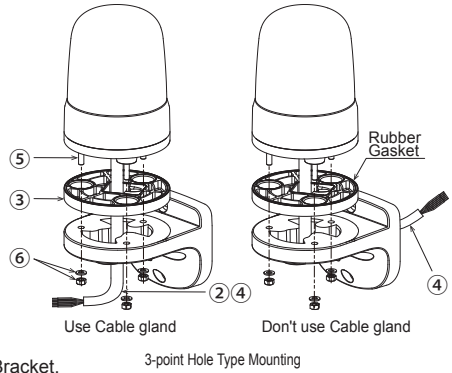
Connect a commercially available cable gland from the bottom of the Wallmount Bracket. Install and fix with nuts from above.

Product Attachment

□ 3-point Hole Type Mounting

- ① Attach the Wallmount Bracket to the wall, referring to the dimensions in the Mounting Dimensional Drawing below. (Screws are not included. Please prepare separately.)
- ② When using a Cable gland, check “How to perforate in Product Mounting (page 11)”.
- ③ When use a Rubber Gasket (SZW-102 / SZW-103), waterproofing is required. (Refer to “Product Attachment (page 17)” for the mounting method of the Rubber Gasket.)
- ④ Wire the product as shown on the right.
- ⑤ Insert the product bolt into the mounting hole of the Wallmount Bracket.
- ⑥ Use the nuts & washer (accessory) to secure the mounting Product.

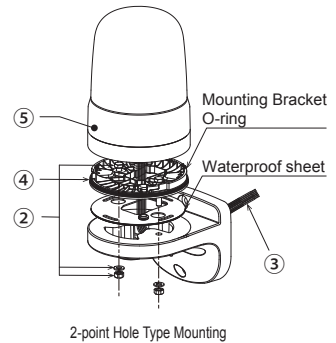
Model	Screw Nut	Recommend Torque
SF08/SL08/SKS	M4	0.7 N·m
SF10/SL10/SKH	M5	1.4 N·m



□ 2-point Hole Type Mounting

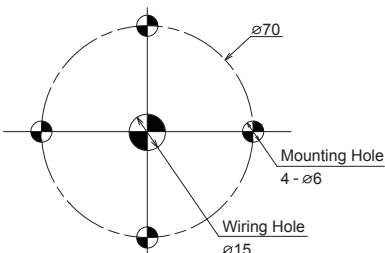
- ① Attach the Wallmount Bracket to the wall, referring to the dimensions in the Mounting Dimensional Drawing below. (Screws are not included. Please prepare separately.)
- ② Use the two screws / nuts in the mounting holes on the Wallmount Bracket to secure the Mounting Bracket and Waterproof sheet in the product accessory. (Installation screws and nuts are not included with this product.)

Model	Recommend Screw	Recommend Torque
SF08/SL08	M4×20mm	0.7 N·m
SF10/SL10	M5×20mm	1.4 N·m



- ③ Wire the product as shown on the right.
- ④ Check that the O-ring is not twisted.
- ⑤ Align the product with the positioning mark and turn it clockwise to lock it. (Read the applicable instruction manual for the locked state.)

■ Mounting Dimensional Drawing [Unit : mm]



Screw / Nut	Recommend Torque
M5	1.4 N·m

TYPE SZK-102

⚠ Caution

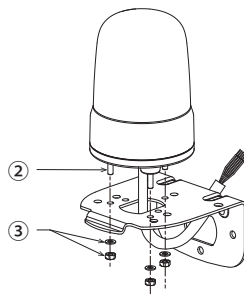
- When installing model SKH-M2T outdoors, Check the waterproofing chart in the instruction manual of the compatible model. Do waterproof with Rubber Gasket etc.(SZW-103).
The Protection Rating is IP23 when Wallmount Bracket (SZK-102) and Rubber Gasket (SZW-102 / SZW-103) are used.
- If the rated voltage of the product to be installed exceeds 100V AC, use the Wallmount Bracket Cover (SZK-104).

Product Attachment

□ 3-point Hole Type Mounting

- ① Attach the Wallmount Bracket to the wall, referring to the dimensions in the Mounting Dimensional Drawing below.
(Screws are not included. Please prepare separately.)
- ② Insert the product bolt into the mounting hole of the Wallmount Bracket.
- ③ Use the nuts & washer (accessory) to secure the mounting Product.

Model	Screw Nut	Recommend Torque
SF08/SL08/SKS	M4	0.7 N·m
SF10/SL10/SKH	M5	1.4 N·m



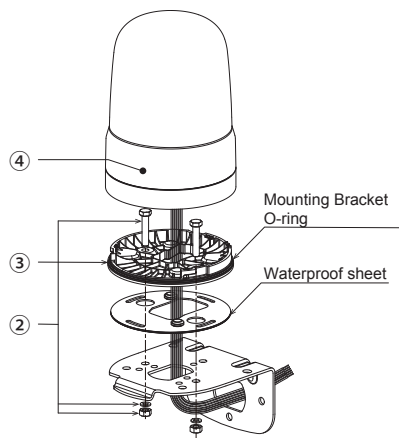
3-point Hole Type Mounting

□ 2-point Hole Type Mounting

- ① Attach the Wallmount Bracket to the wall, referring to the dimensions in the Mounting Dimensional Drawing below.
(Screws are not included. Please prepare separately.)
- ② Use the two screws / nuts in the mounting holes on the Wallmount Bracket to secure the Mounting Bracket and Waterproof sheet in the product accessory.
(Installation screws and nuts are not included with this product.)

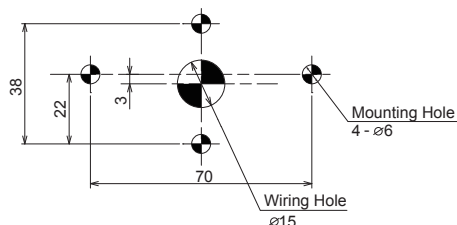
Model	Recommend Screw	Recommend Torque
SF08/SL08	Max : M4×20mm	0.7 N·m
SF10/SL10	Max : M5×20mm	1.4 N·m

- ③ Check that the O-ring is not twisted.
- ④ Align the product with the positioning mark and turn it clockwise to lock it.
(Read the applicable instruction manual for the locked state.)



2-point Hole Type Mounting

■ Mounting Dimensional Drawing [Unit : mm]



Screw / Nut	Recommend Torque
M5	1.4 N·m

TYPE SZK-103

⚠ Caution

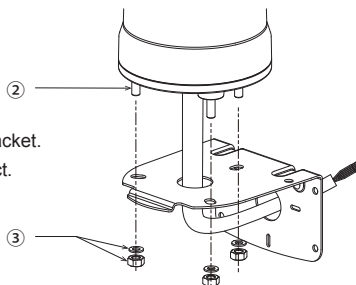
- If the rated voltage of the product to be installed exceeds 100V AC, use the Wallmount Bracket Cover (SZK-105).

Product Attachment

□ 3-point Hole Type Mounting

- ① Attach the Wallmount Bracket to the wall, referring to the dimensions in the Mounting Dimensional Drawing below. (Screws are not included. Please prepare separately.)
- ② Insert the product bolt into the mounting hole of the Wallmount Bracket.
- ③ Use the nuts & washer (accessory) to secure the mounting Product.

Model	Screw Nut	Recommend Torque
SL15/SKP	M8	6.0 N·m



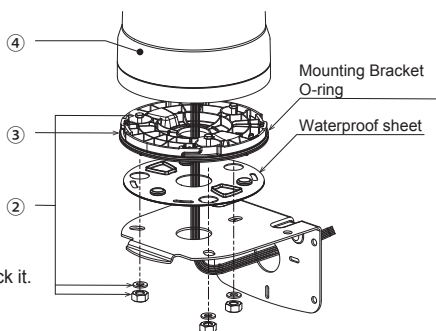
3-point Hole Type Mounting

□ 3-point Hole Type Mounting

- ① Attach the Wallmount Bracket to the wall, referring to the dimensions in the Mounting Dimensional Drawing below. (Screws are not included. Please prepare separately.)
- ② Use the three screws / nuts in the mounting holes on the Wallmount Bracket to secure the Mounting Bracket and Waterproof sheet in the product accessory. (Installation screws and nuts are not included with this product.)

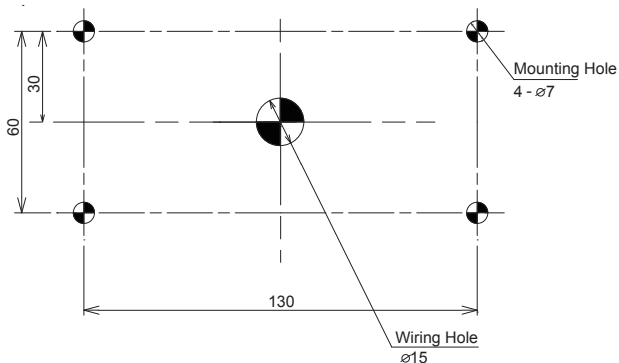
Model	Recommend Screw	Recommend Torque
SL15	Max : M5 × 25mm	6.0 N·m

- ③ Check that the O-ring is not twisted.
- ④ Align the product with the positioning mark and turn it clockwise to lock it. (Read the applicable instruction manual for the locked state.)



3-point Hole Type Mounting

■ Mounting Dimensional Drawing [Unit : mm]



Screw / Nut	Recommend Torque
M6	2.4 N·m

TYPE SZK-104/SZK-105

⚠ Caution

- Attach the Wallmount Bracket cover after attaching the product to the Wallmount Bracket (SZK-102 / SZK-103). (Refer to "Product Attachment (page 13, 14)" for the mounting method of the Wallmount Bracket.)

Wallmount Bracket Attachment

- ① Remove the accessories attached to the Wallmount Bracket Cover.
- ② Insert the Wallmounting Bracket Cover into the Wallmounting Bracket as shown in Figure 1.
- ③ Align the Mounting Holes on the Wallmounting Bracket and the Wallmounting Bracket Cover.
- ④ Secure the Wallmounting Bracket Cover with the screws provided with it.

Model	Screw Nut	Recommend Torque
SZK-102	4×12mm	0.7 N·m
SZK-103	5×16mm	1.4 N·m

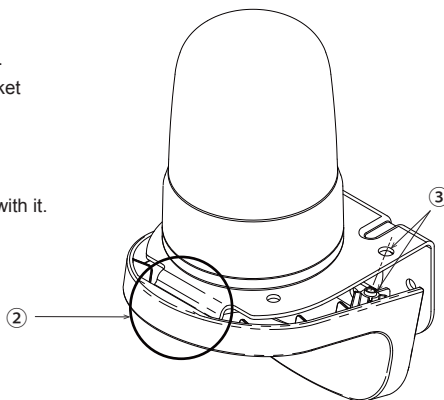


Figure 1

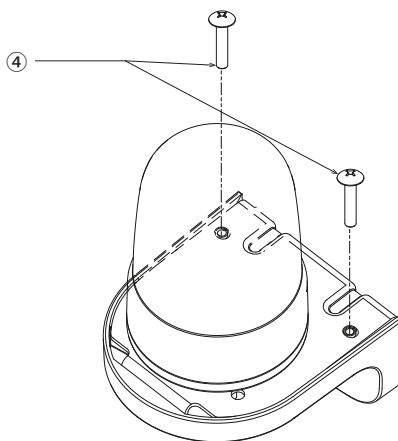


Figure 2

TYPE SZW-101

⚠ Caution

- After installing the product, fix the Ceiling Mount Bracket to the ceiling.

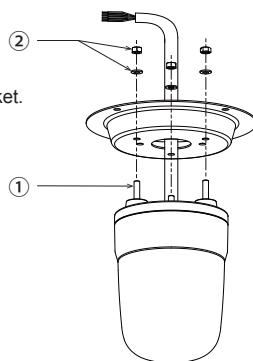
Product Attachment

☐ 3-point Hole Type Mounting

- ① Insert the product bolt into the mounting hole of the Ceiling Mount Bracket.
- ② Use the nuts & washer (accessory) to secure the mounting Product.

Model	Screw Nut	Recommend Torque
SF10/SL10/SKH	M5	1.4 N·m

- ③ Attach the Ceiling Mount Bracket to the wall, referring to the dimensions in the Mounting Dimensional Drawing below.
(Screws are not included. Please prepare separately.)



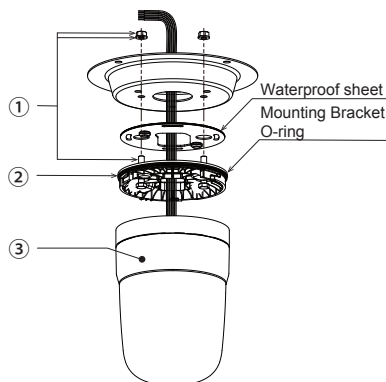
3-point Hole Type Mounting

☐ 2-point Hole Type Mounting

- ① Use the two screws / nuts in the mounting holes on the Ceiling Mount Bracket to secure the Mounting Bracket and Waterproof sheet in the product accessory.
(Installation screws and nuts are not included with this product.)

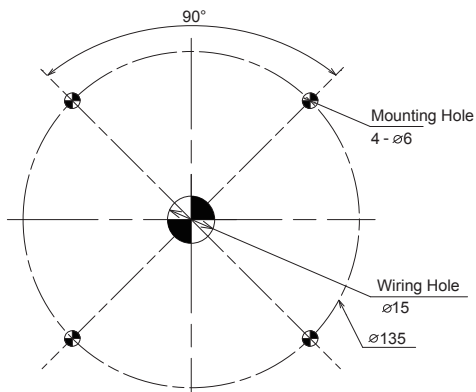
Model	Recommend Screw	Recommend Torque
SF10/SL10/SKH	Max : M5 × 20mm Min : M5 × 14mm	1.4 N·m

- ② Check that the O-ring is not twisted.
- ③ Align the product with the positioning mark and turn it clockwise to lock it.
(Read the applicable instruction manual for the locked state.)
- ④ Attach the Ceiling Mount Bracket to the wall, referring to the dimensions in the Mounting Dimensional Drawing below.
(Screws are not included. Please prepare separately.)



2-point Hole Type Mounting

■ Mounting Dimensional Drawing [Unit : mm]

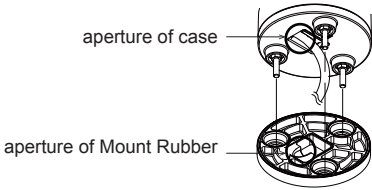


Screw / Nut	Recommend Torque
M5	1.4 N·m

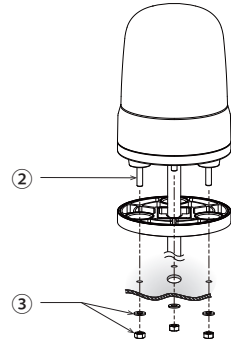
TYPE SZW-102/SZW-103

Product Attachment

- Align the aperture of case with the it of Mount Rubber as shown below.



- Insert the product bolt into the mounting hole of the Rubber Gasket.
- Use the nuts & washer (accessory) to secure the mounting Product.



SZW-102

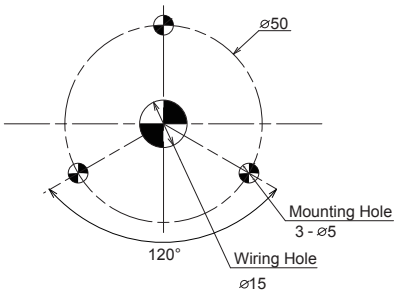
Model	Screw Nut	Recommend Torque
SF08/SL08/SKS	M4	0.7 N·m

SZW-103

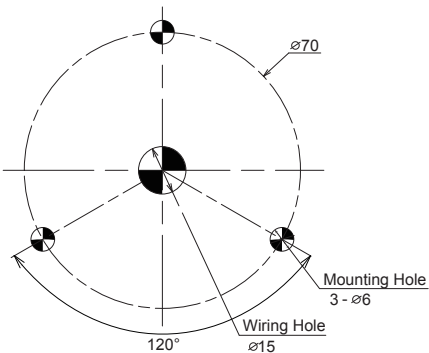
Model	Screw Nut	Recommend Torque
SF10/SL10/SKH	M5	1.4 N·m

■ Mounting Dimensional Drawing [Unit : mm]

SZW-102



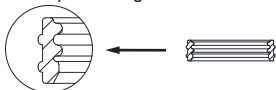
SZW-103



TYPE SZP-101

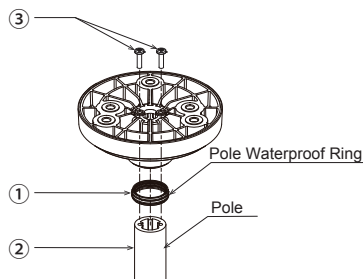
Pole Attachment

- Install the Pole Waterproof Ring in the Upper Bracket.
Check that the 2 ribs are on the outside.
The Pole Waterproof Ring is attached to the Upper Bracket.



- Insert Pole into the Upper Bracket. See the figure on the right for details on the direction of insertion (Installation Pole is not included with this product.)
- Tighten the Binding Head Tapping Screws (2 pcs.) from the topside of the Upper Bracket.

Screw Nut	Recommend Torque
3×12mm	0.8 N·m



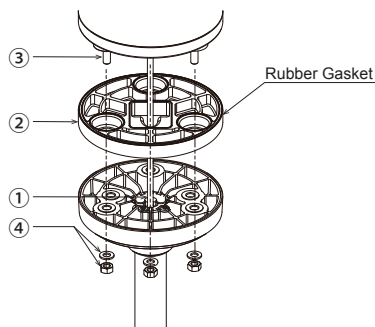
Product Attachment

□3-point Hole Type Mounting

- Wire the product as shown on the right.
- When use a Rubber Gasket (SZW-103), waterproofing is required. (Refer to "Product Attachment (page 17)" for the mounting method of the Rubber Gasket.)
- Insert the product bolt into the mounting hole of the Upper Bracket.
- Use the nuts & washer (accessory) to secure the mounting Product.

Model	Screw Nut	Recommend Torque
SF10/SL10/SKH	M5	1.4 N·m

※ The Waterproof sheet is not required.(accessory of Upper Bracket)



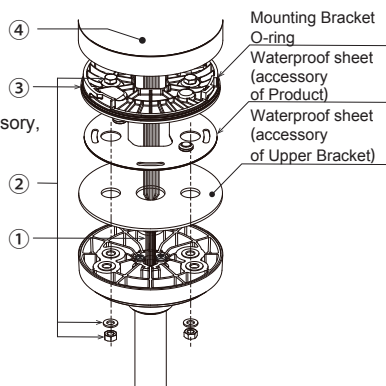
3-point Hole Type Mounting

□2-point Hole Type Mounting

- Wire the product as shown on the right.
- Use the two screws / nuts in the mounting holes on the Upper Bracket to secure the Mounting Bracket and Waterproof sheet in the product accessory, Waterproof sheet in the Upper Bracket accessory. (Installation screws and nuts are not included with this product.)

Model	Recommend Screw	Recommend Torque
SF10/SL10/SKH	Min : M5×20mm	1.4 N·m

- Check that the O-ring is not twisted.
- Align the product with the positioning mark and turn it clockwise to lock it. (Read the applicable instruction manual for the locked state.)

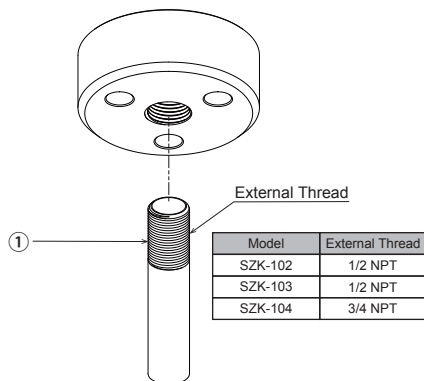


2-point Hole Type Mounting

TYPE SZP-102/SZP-103/SZP-104

Pole Installation

- ① Install the Pole in the NPT Bracket.
Tighten tightly !

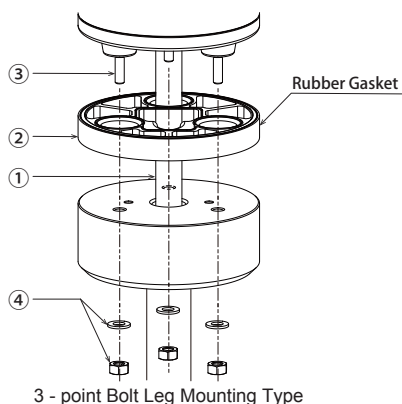


Product Attachment

□ 3 - point Bolt Leg Mounting Type

- ① Take out the wiring.
- ② If you need waterproofing, use Rubber Gasket (SZW-102, SZW-103).
(Check page 6 for Rubber Gasket Installation.)
- ③ Insert the main unit bolts of the product in the mounting holes of the NPT Bracket.
- ④ Use the nuts (accessory) to secure the mounting surface of the NPT Bracket.

Model	Screw/ Nut	Recommended Torque
SF08/SL08/SKS	M4	0.7 N·m
SF10/SL10/SKH	M5	1.4 N·m
SL15/SKP	M8	6.0 N·m



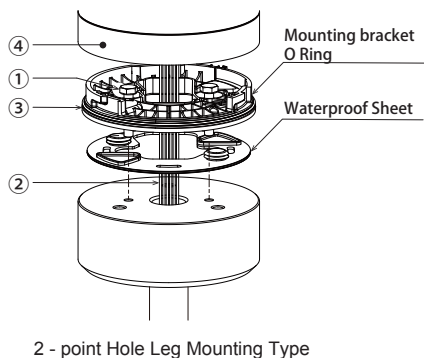
□ 2 - point Hole Leg Mounting Type

3 - point Hole Leg Mounting Type

- ① Use the screws to secure the mounting bracket (accessory) to the mounting surface of the NPT Bracket.
(Installation screws are not included with this product.
Binding head screws or pan head screws are recommended.)

Model	Screw	Recommended Torque
SF08/SL08	M4	0.7 N·m
SF10/SL10	M5	1.4 N·m
SL15	M8	6.0 N·m

- ② Take out the wiring.
- ③ Check that the O-ring is not twisted.
- ④ Align the main unit of the product to the positioning marks, insert the LED Unit, and then turn the LED Unit clockwise to lock it in place.
(Check the INSTRUCTION MANUAL for the lock state)



4 Specifications

General Specifications (SZK-101)

Product Name	Wallmount Bracket	
Model	SZK-101	
Applicable Models	SF08-M□KT□	SF08-M□JN
	SL08-M□KT□	SL08-M□JN
	SF10-M□KT□	SKS-M□J
	SF10-M□KT□	SF10-M□JN
	SL10-M□KT□	SL10-M□JN
	SL10-M□KT□	SKH-M□J□ SKH-M□T□
Mounting Location	According to the product to be installed.	
Mounting Direction	Upright	
Mass (Typ.)	0.15kg	
Protection Rating	IP65(Product Attachment)	SF08-M□KT□ / SL08-M□KT□ SF10-M□KT□ / SF10-M□KT□
	IP65 (Product+SZW-102[Rubber Gasket]Attachment)	SF08-M□JN / SL08-M□JN / SKS-M□J
	IP65 (Product+SZW-103[Rubber Gasket]Attachment)	SF10-M□JN / SL10-M□JN SKH-M□J□ / SKH-M□T□
	IP23(Product Attachment)	SF08-M□JN / SL08-M□JN / SKS-M□J SF10-M□JN / SL10-M□JN SKH-M□J□ / SKH-M□T□
Environmental Condition	Upright	
Remarks	There are no contents of controlled substances exceeding the threshold for the RoHS Directive.	

General Specifications (SZK-102/103)

Product Name	Wallmount Bracket	
Model	SZK-102	SZK-103
Applicable Models	SF08-M□KT□	SL15-M□KTN
	SL08-M□KT□	SL15-M□JN
	SF10-M□KT□	SKP-M□J
	SL10-M□KT□	SKP-M2
	SF08-M□JN	/
	SL08-M□JN	
	SKS-M□J	
	SKS-M2	
	SF10-M□JN	
	SL10-M□JN	
	SKH-M□J□	
	SKH-M2□	
	SKH-M□T□	
SKH-M□T□		
Mounting Location	According to the product to be installed.	
Mounting Direction	Upright	
Mass (Typ.)	0.19kg	0.51kg
Protection Rating	IP23(Product Attachment)	
Environmental Condition	Upright	
Remarks	There are no contents of controlled substances exceeding the threshold for the RoHS Directive.	

General Specifications (SZK-104/105)

Product Name	Wallmount Bracket Cover	
Model	SZK-104	SZK-105
Applicable Models	SZK-102	SZK-103
Mounting Location	According to the product to be installed.	
Mounting Direction	Upright	
Mass (Typ.)	0.06kg	0.17kg
Protection Rating	IP23 (Product+SZK-102 [Wallmount Bracket]Attachment)	IP23 (Product+SZK-103 [Wallmount Bracket]Attachment)
Environmental Condition	Upright	
Remarks	There are no contents of controlled substances exceeding the threshold for the RoHS Directive.	

General Specifications (SZW-101)

Product Name	Ceiling Mount Bracket	
Model	SZW-101	
Applicable Models	SF10-M□KT□	SF10-M□JN
	SL10-M□KT□	SL10-M□JN
		SKH-M□J□
		SKH-M2□
		SKH-M□T□
Mounting Location	According to the product to be installed.	
Mounting Direction	Upright / Inverted	
Mass (Typ.)	0.20kg	
Protection Rating	IP20(Product Attachment)	
Environmental Condition	Upright / Inverted	
Remarks	here are no contents of controlled substances exceeding the threshold for the RoHS Directive.	

General Specifications (SZW-102/SZW-103)

Product Name	Rubber Gasket	
Model	SZW-102	SZW-103
Applicable Models	SF08-M□JN	SF10-M□JN
	SL08-M□JN	SL10-M□JN
	SKS-M□J□	SKH-M□J□
	SKS-M2	SKH-M2□
		SKH-M□T□
Mounting Location	According to the product to be installed.	
Mounting Direction	Upright	
Mass (Typ.)	0.03kg	0.05kg
Protection Rating	IP65(Product Attachment)	
Environmental Condition	Upright	
Remarks	There are no contents of controlled substances exceeding the threshold for the RoHS Directive.	

General Specifications (SZP-101)

Product Name	Upper Bracket	
Model	SZP-101	
Applicable Models	SF10-M□KT□	SF10-M□JN
	SL10-M□KT□	SL10-M□JN
		SKH-M□J□
		SKH-M□T□
Corresponding Pole(※)	POLE22-0100AN / POLE22-0100ANK	POLE22-0100AT
	POLE22-0300AN / POLE22-0300ANK	POLE22-0300AT
	POLE22-0500AN	POLE22-0500AT
	POLE22-0800AN / POLE22-0800ANK	POLE22-0800AT
	POLE22-1000AN	POLE22-1000AT
Mounting Location	According to the product to be installed.	
Mounting Direction	Upright	
Mass (Typ.)	0.08kg	
Protection Rating	IP65(Product Attachment)	SF10-M□KT□ / SL10-M□KT□
	IP65 (Product+SZW-103[Rubber Gasket]Attachment)	SF10-M□JN / SL10-M□JN SKH-M□J□ / SKH-M□T□
	IP20(Product Attachment)	SF10-M□JN / SL10-M□JN SKH-M□J□ / SKH-M□T□
Environmental Condition	Upright	
Remarks	There are no contents of controlled substances exceeding the threshold for the RoHS Directive.	

※ When installing applicable options (sold separately), check our website (<https://www.patlite.co.jp>)

General Specifications (SZP-102/103/104)

Product Name	NPT Bracket		
Model	SZP-102	SZP-103	SZP-104
Applicable Models	SF08-M□KT□	SF10-M□KT□	SL15-M□KTN
	SL08-M□KT□	SL10-M□KT□	SL15-M□J□
	SF08-M□JN	SF10-M□JN	SKP-M□J
	SL08-M□JN	SL10-M□JN	
	SKS-M□J	SKH-M□J□	
		SKH-M□T□	
Mounting Location	According to the product to be installed.		
Mounting Direction	Upright		
Mass (Typ.)	0.36kg	0.57kg	1.32kg
Protection Rating	IP20 (Product Attachment)		
Environmental Condition	Upright		
Remarks	There are no contents of controlled substances exceeding the threshold for the RoHS Directive.		