

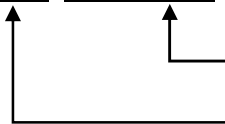
# SPECIFICATIONS

[General Specifications]

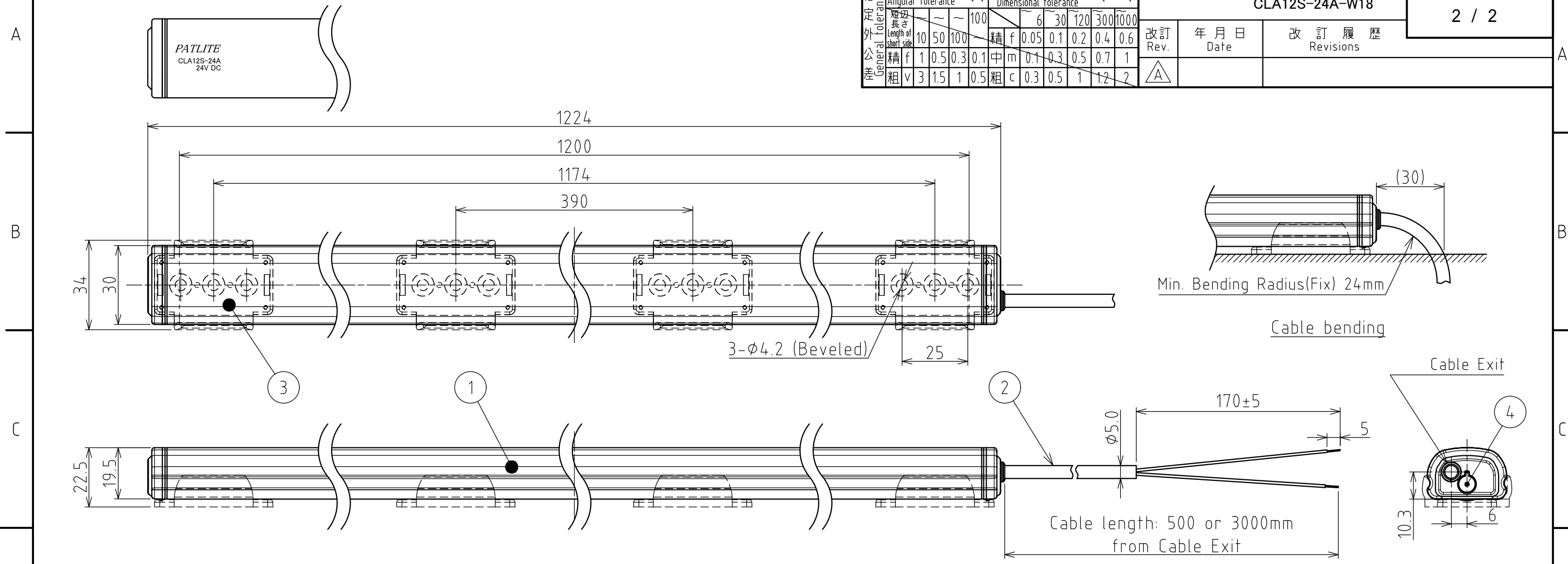
Product Name	LED Light Bar	
Model	CLA12S-24A-CD(-30)	
Rated Voltage	24V DC (Polarized)	
Operating Voltage Range	24V DC $\pm 10\%$	
Rated Current Consumption	standard	960 mA $\pm 10\%$
Rated Power Consumption	standard	23.0 W
Operating Ambient Temperature	-40°C to +60°C	
Operating Ambient Humidity	Less than 90% (No condensation)	
Mounting Location	Indoors	
Mounting Direction	All Directions	
Protection Rating	IP66/67 (IEC 60529) /69K (DIN 40050 part9) (Except Cable Terminal)	
Vibration Resistance	19.6 m/s <sup>2</sup> (30Hz, Back and Forth:2h, Right to Left:2h, Up and Down:2h)	
Insulation Resistance	More than 5M $\Omega$ at 500VDC between the terminals and the chassis	
Withstanding Voltage	500VAC applied for 1min between terminals and chassis without breaking insulation	
Luminous Color	Daylight (CD)	
Color Temperature (typ.)	6800 K	
Illuminance (at 24VDC)	0.3m	1600 lx
	0.5m	890 lx
	1.0m	340 lx
Luminous Flux	1375 lm	
Mass(Tolerance $\pm 10\%$ )	660 g(745g)	
Outer Dimensions	Refer to the Outer Dimension Drawing	
Conformity Standards	UL 2108, CSA-C22.2 No. 250.0 EMC Directive (EN 55011, EN 61000-6-2) RoHS Directive (EN 50581)	
Remarks	<ul style="list-style-type: none"> <li>· Conforms to the CE requirements</li> <li>· UL Listed (File No.E306141)</li> <li>· Specifications may change without notice due to continual product improvement.</li> <li>· Due to the inherent properties of the LED, color variations and hue may occur.</li> <li>· This product's illuminance may be affected when used in airtight conditions.</li> </ul>	

\*Model Number Configuration

CLA12S - 24A - CD - □□



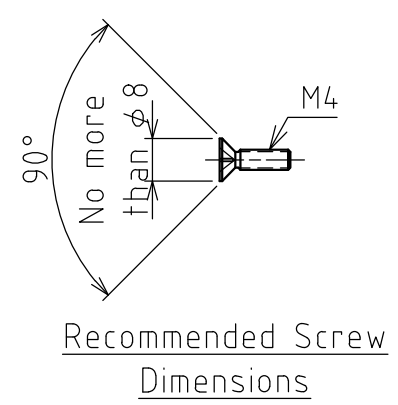
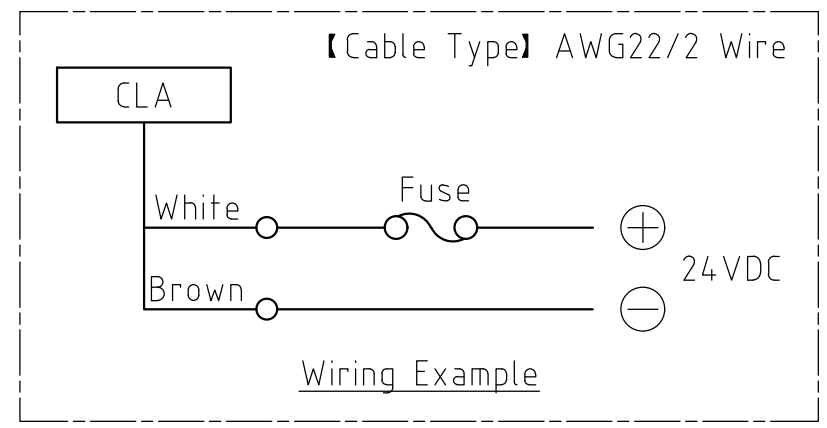
- Cable Length  
Blank: 500mm, -30: 3000mm
- Luminous Color  
CD: Daylight



[Corresponding Bracket]

Model	SZ-310AS	SZ-310ASB	SZ-310ARM
CLA12S-24A-CD(-30)	○*1	×	○

\*1: Please add SZ-310AR bracket. (2pcs/Dim.E)



Remarks

- The screw caps are removable. Please remove them in advance when using high-pressure water applications. (Example: Contamination in a food-processing line)
- Install the bracket on a sturdy surface with M4 flush-mount screws, and tighten down with a torque of no more than 1N·m. (2 screws recommended.)

4	Screw Cap	2	Silicon
3	Bracket	4	Polycarbonate Resin
2	Power Cable	1	AWG22/2 Wires
1	Cover	1	Polycarbonate Resin
番号 No.	部品名 Part Name	数量 Qty.	記事 Remarks
機種 Model	CLA12S-24A-CD	特注 No. S.P.No.	-
品目コード Part No.	-	図名 Name	Outer Dimensions Drawing
	尺度 Scale	三角法 3rd Angle P.	単位 Unit mm
		株式会社 パトライト PATLITE Corporation	