

<h1>SPECIFICATIONS</h1>

[General Specifications]

Product Name		IO-Link Signal Tower
Model		LR6-3ILWMNW-RYG
Rated Voltage		DC24V
Operating Voltage Range		DC18V ~ DC30V
Rated Current Consumption	Typ.	170mA
	Max.	200mA
Rated Power Consumption	Typ.	4W
	Max.	5W
Inrush Current		10A / 0.3msec
Operating Ambient Temperature		-20°C to +50 °C
Operating Ambient Humidity		Less than 90 % (No condensation)
Storage Ambient Temperature		-30°C to +60 °C
Storage Ambient Humidity		Less than 90 % (No condensation)
Mounting Location		Indoor
Mounting Direction		Upright
Protection Rating		IP65, NEMA TYPE 4X, 13
Environmental Condition		Upright
Vibration Resistance		20m/s ² (JIS C 60068-2-6)
Mass (Tolerance ±10%)		0.38kg
Outer Dimensions		Refer to the Outer Dimension Drawing
Conformity Standards		EMC Directive (EN 61000-6-4, EN 61000-6-2)
		RoHS Directive (EN 50581)
		UL 508, CSA-C22.2 No. 14
		FCC Part 15 SubpartB Class A
		KC (KN 61000-6-4, KN 61000-6-2)
Remarks		Due to the characteristics of the LED elements, a variation in difference of the color tone and brightness of every product may occur

[IO-Link Specifications]

Function		LED control, Buzzer control Operation method switching setting, LED flashing pattern setting, Buzzer intermittent operation setting
Communication specification	IO-Link revision	1.1
	Transmission rate	COM2 (38.4 kbps)
	Minimum cycle time	8 ms
	Process data length	6 byte / 0 byte (input from master / output to master)
Vendor ID		763
Device ID		80001

指定公差 General Tolerance	角度公差 ±[°] Angular tolerance ±[°]			寸法公差 ±[mm] Dimensional tolerance ±[mm]					図番 Drawing No. LR6-3ILWMNW-W18			
	短辺長さ Length of short side	~	~100	6	30	120	300	1000				
	精 f	1	0.5	0.3	0.1	中 m	0.1	0.3		0.5	0.7	1
	粗 v	3	1.5	1	0.5	粗 c	0.3	0.5		1	1.2	2

改訂 Rev.	年月日 Date	改訂履歴 Revisions

A

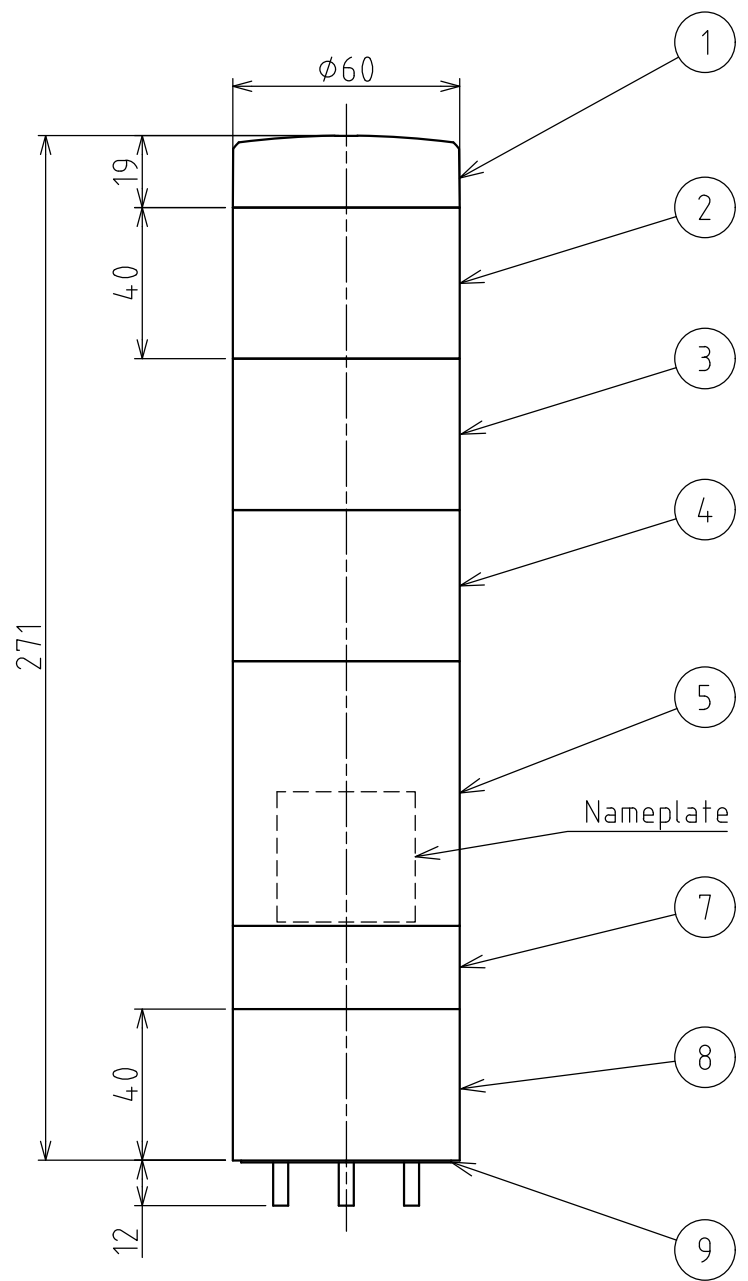
B

C

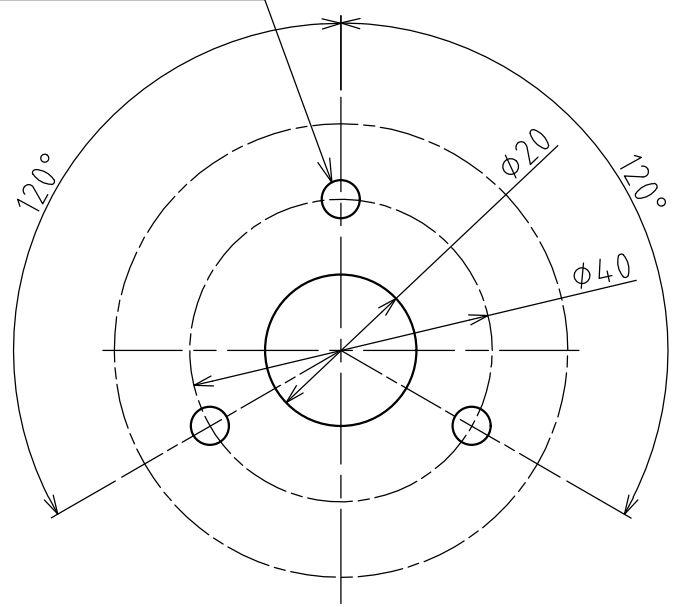
D

E

F

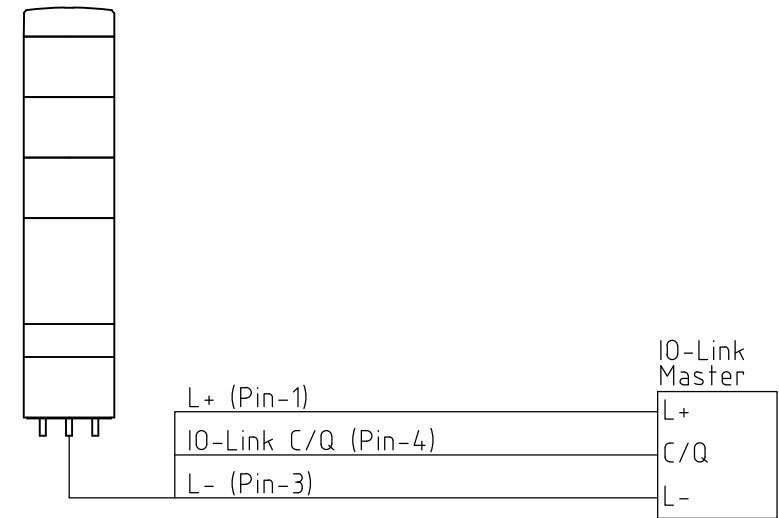


Mounting Hole(φ5×3places)

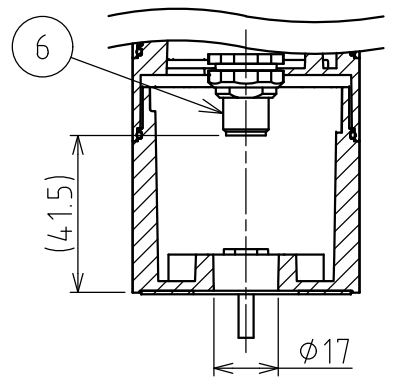
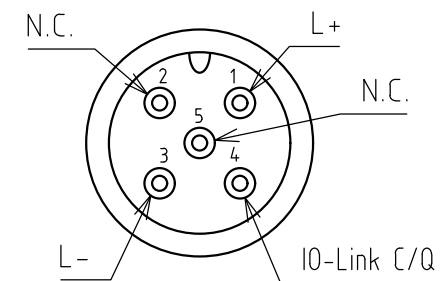


Mounting Dimensional Drawing

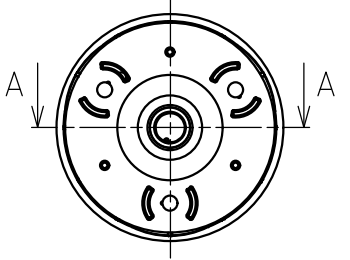
Wiring Example



M12 Conner Pin Layout



Section View A-A



[NOTE]

- 1. M12 Cable is not attached to this product.
- 2. Please use M12 Cable with straight socket.
- 3. Maximum Board Thickness shall be 7 mm.

9	Waterproof sheet	1	Silicone Rubber, Translucent (t=1)
8	Direct Mount Bracket	1	PC, Off-white
7	M12 Bracket	1	PC, Off-white
6	M12 Connector	1	5pin, NBNi
5	Body	1	PC, Off-white
4	Globe G	1	PC, Clear(Green)
3	Globe Y	1	PC, Clear(Yellow)
2	Globe R	1	PC, Clear(Red)
1	Head Cover	1	PC, Off-white
番号 No.	部品名 Part Name	数量 Qty.	記事 Remarks

機種 Model	LR6-3ILWMNW	特注No. S.P.No.	-	図名 Name	Outer Dimension Drawing
品目コード Part No.	-	尺度 Scale	-	三角法 3rd Angle P.	単位 Unit mm
				株式会社 PATLITE Corporation	