

SPECIFICATIONS

[General Specifications]

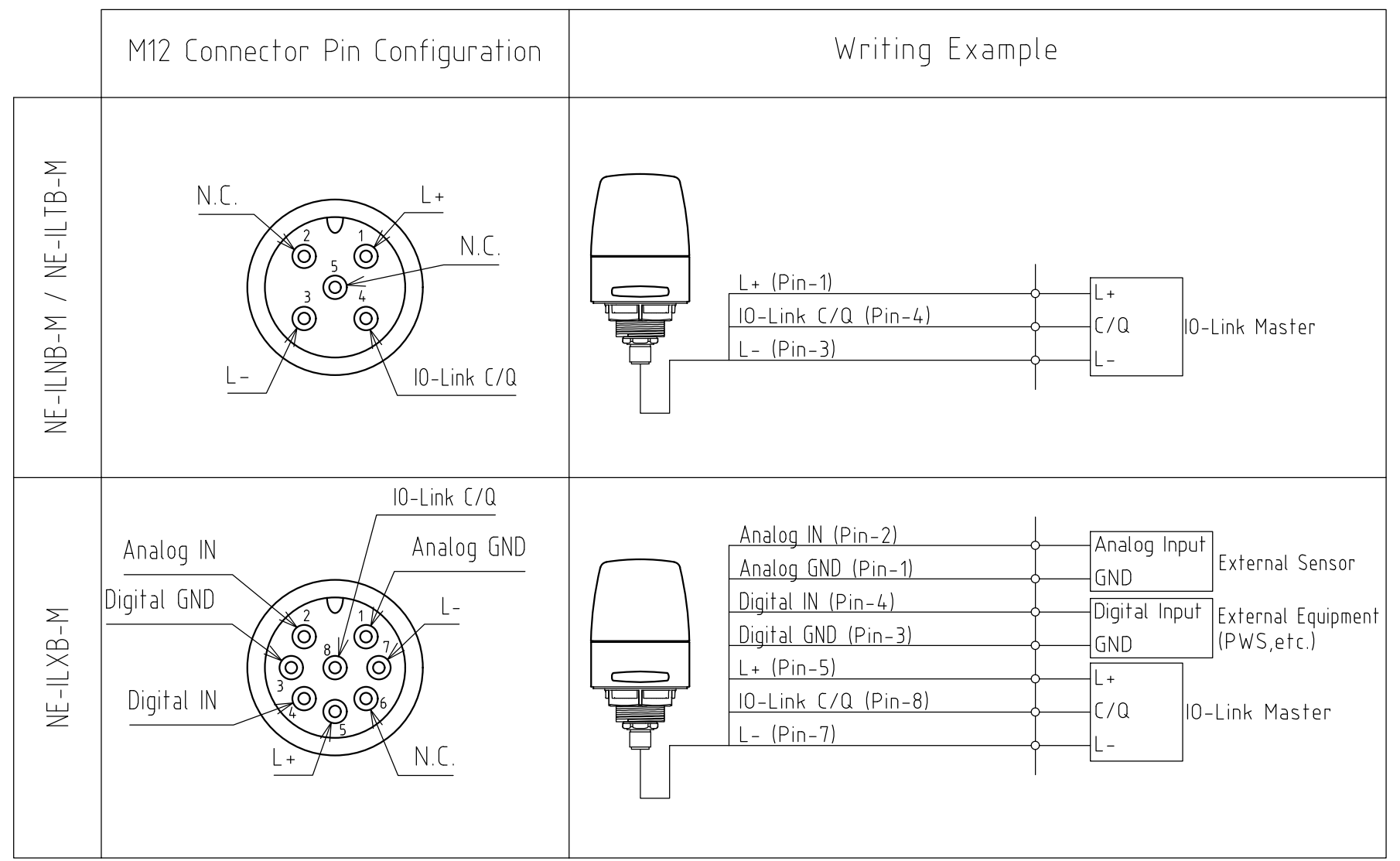
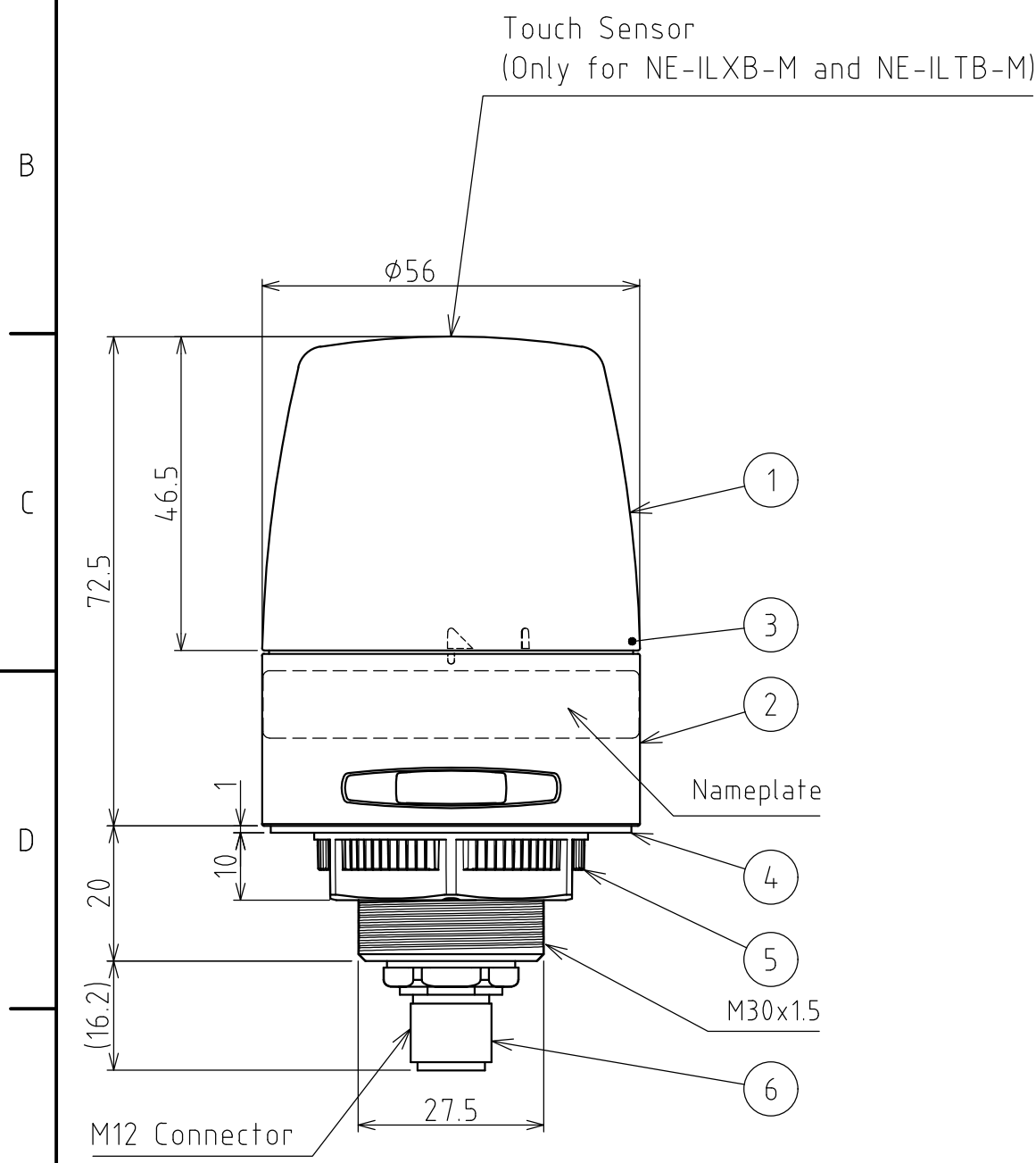
Product Name	IO-Link Signal Light		
Model	NE-ILNB-M	NE-ILTB-M	NE-ILXB-M
Rated Voltage	24V DC		
Operating Voltage Range	18V DC - 30V DC		
Rated Current Consumption	Typ.	80mA	
	Max.	100mA	
Rated Power Consumption	Typ.	2.0W	
	Max.	2.4W	
Inrush Current	Less than 10A / 0.2msec		
Operating Ambient Temperature	-25°C to +60 °C		
Operating Ambient Humidity	Less than 90% (No condensation)		
Storage Ambient Temperature	-40 °C to + 75°C		
Storage Ambient Humidity	Less than 90% (No condensation)		
Mounting Location	Indoor		
Mounting Direction	Upright		
Protection Rating	IP65、NEMA TYPE 4X, 13		
Environmental Condition	Upright		
Insulation Resistance	More than 5MΩ at 500VDC between live part and non-current carrying metallic part		
Withstand Voltage	500VAC applied for 1min between live part and non-current carrying metallic part without breaking insulation		
Sound Pressure Level	Typ. 88dB		
Environmental Condition	Front direction from the center/at 1m Buzzer Sound 「Continuous tone」		
Buzzer Sound	1	Continuous tone	5 Continuous tone 500ms ON / 500ms OFF
	2	Intermittent tone	6 Intermittent tone 500ms ON / 500ms OFF
	3	High-low tone	7 High-low tone 500ms ON / 500ms OFF
	4	Sweep sound	8 Sweep sound 500ms ON / 500ms OFF
Luminous Color	Red / Green / Blue / Amber / Cyan / Purple / White		
Touch Sensor input method	-	Electrostatic Capacitance	
Analog Input Range	-	4mA ~ 20mA	
Digital Input	-	Voltage Contact (NPN/PNP Transistor)	
Mass (Tolerance ±10%)	0.10kg		
Outer Dimensions	Refer to the Outer Dimension Drawing		
Conformity Standards	EMC Directive (EN 61000-6-4, EN 61000-6-2)		
	RoHS Directive (EN 50581)		
	UL 508, CSA-C22.2 No. 14		
	FCC Part 15 SubpartB Class A		
	ICES-003		
	KC (KN 61000-6-4, KN 61000-6-2)		
Remarks	Due to the characteristics of the LED elements, a variation in difference of the color tone and brightness of every product may occur.		
Model Number Configuration	<p>NE - IL T B - M</p> <div style="margin-left: 40px;"> <p>LED Color</p> <p>M : Multi Color</p> <p>Buzzer</p> <p>B : With Buzzer</p> <p>Touch Sensor</p> <p>X : With Touch Sensor/General-Purpose Digital/Analog Input</p> <p>T : With Touch Sensor</p> <p>N : No Touch Sensor</p> </div>		

Drawing No.	Rev.	Page
NE-ILNB-W18	B	2 / 3

[IO-Link Specifications]

Function		LED control, Buzzer control LED Color setting, Dimming setting, Buzzer Sound setting
Communication specification	IO-Link revision	Version 1.1
	Transmission rate	COM2 (38.4 kbps)
	Minimum cycle time	8 ms
	Process data length	2 byte / 2 byte (input from master / output to master)
Vendor ID		763
Device ID		60001

指定公差 General tolerance		角度公差 Angular tolerance ±[°]		寸法公差 Dimensional tolerance ±[mm]					図番 Drawing No.		ページ Page	
外公差 General tolerance	短辺長さ Length of short side	~	~100	6	30	120	300	1000	NE-ILNB-W18		3 / 3	
	精 f	1	0.5	0.3	0.1	中 m	0.1	0.3	0.5	0.7	1	改訂履歴 Revisions
	中 m	1	0.5	0.3	0.1	粗 c	0.3	0.5	1	1.2	2	
	粗 v	3	1.5	1	0.5	粗 c	0.3	0.5	1	1.2	2	
改訂 Rev.		年月日 Date		改訂履歴 Revisions								



[Note]
 1. A cable with a M12 connector is not supplied with the product.
 2. Luminous Color differs depending on the IO-Link process data and parameter settings.

6	M12 Connector	1	5pin or 8pin, MBNi
5	M30 Nut	1	PC, Off-dark Gray
4	Waterproof sheet	1	Silicone rubber, Black
3	O-ring	1	Silicone rubber, Black
2	Buzzer Case	1	PC, Off-dark Gray
1	Globe	1	PC, Milky white
番号 No.	部品名 Part Name	数量 Qty.	記事 Remarks
機種 Model	NE-ILNB	特注No. S.P.No.	-
		図名 Name	Outer Dimension Drawing
品目コード Part No.	-	尺度 Scale	三角法 3rd Angle P.
		単位 Unit	mm
		株式会社 パトライト PATLITE Corporation	