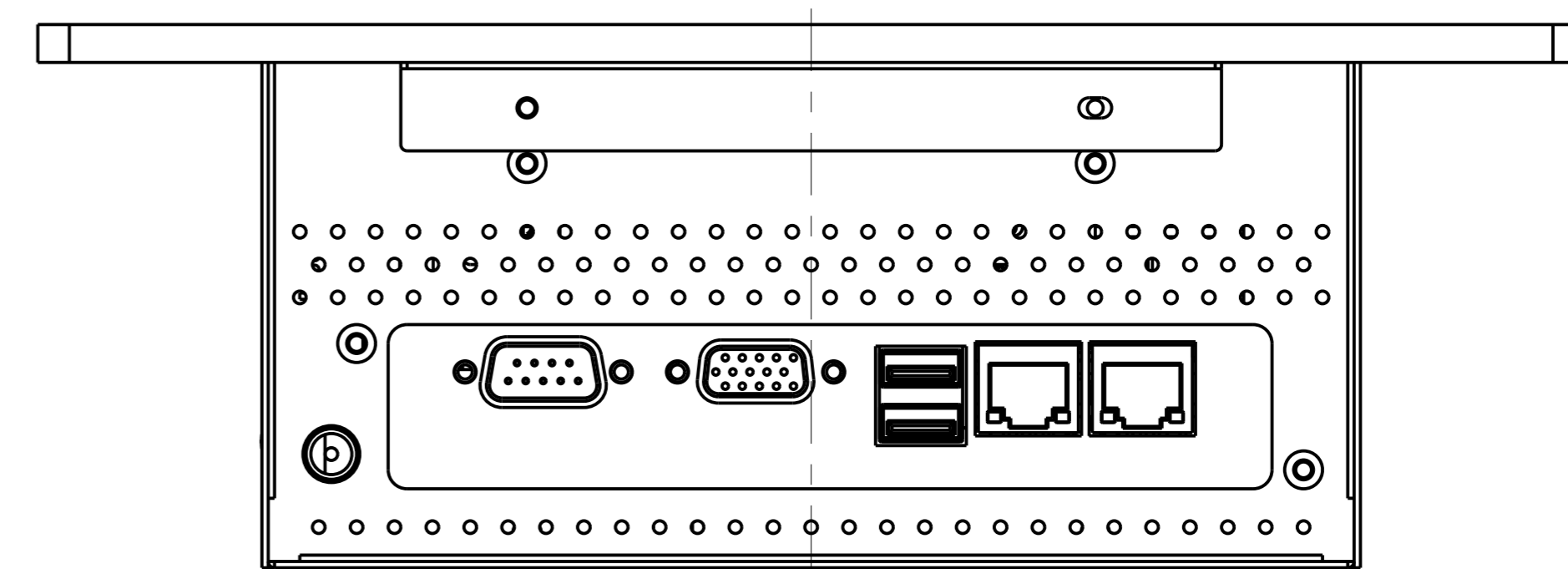
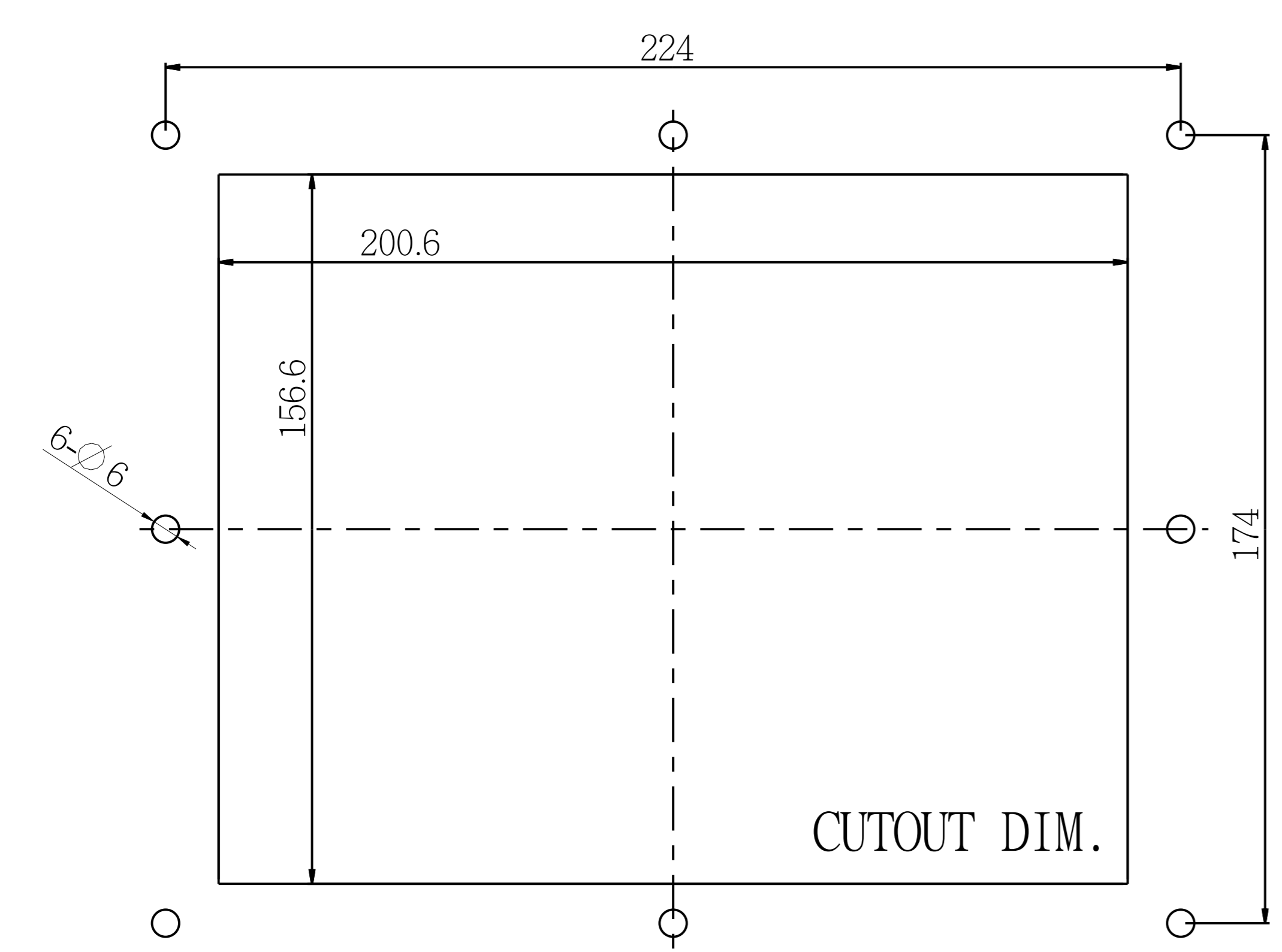
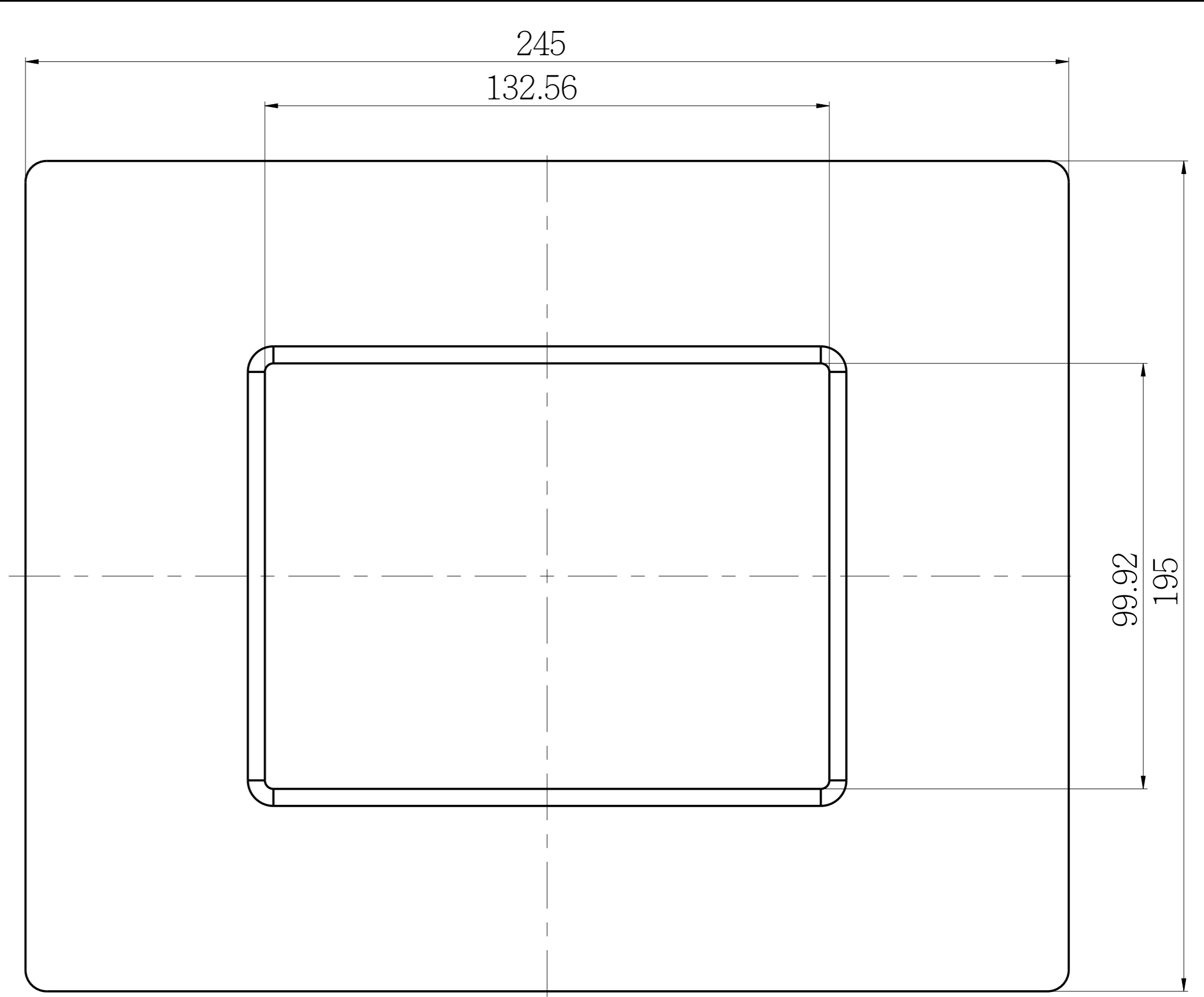
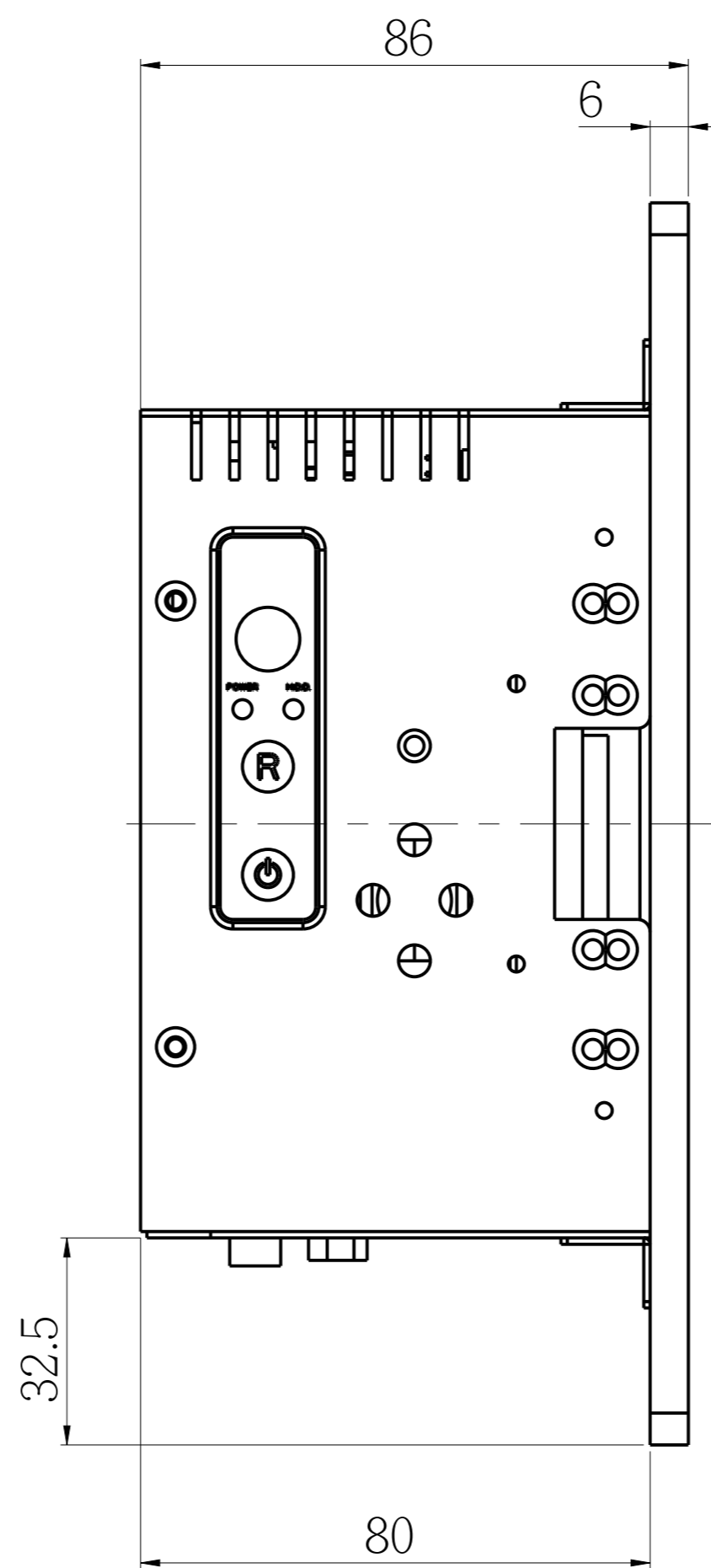
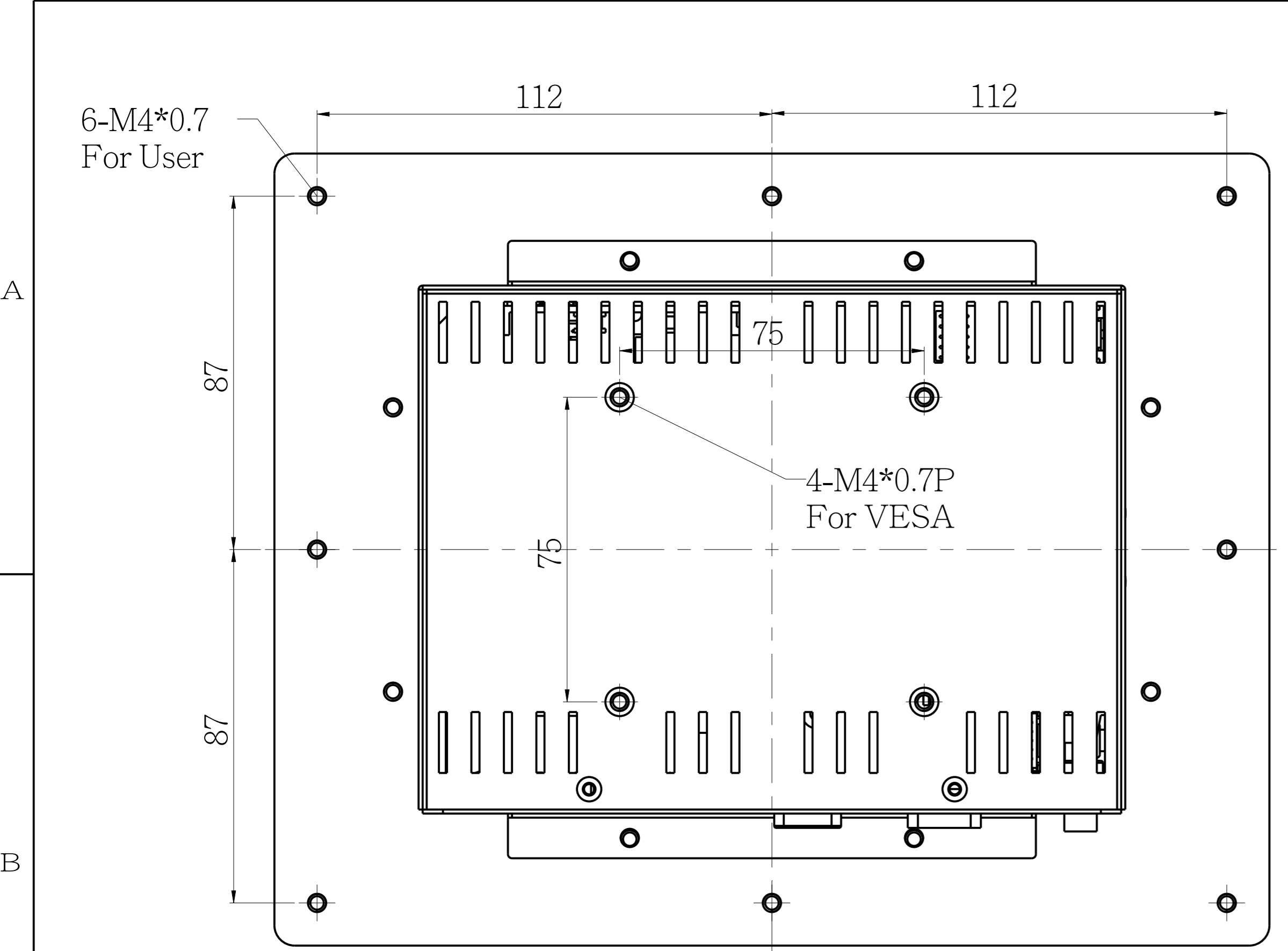


1 2 3 4 5



AD/BOARD		MODEL	PPM06562		泓瑜科技有限公司 WINSONIC TECH. CO., LTD.					
INVERTER										
KEY PAD										
PANEL:	VERSION	MATERIAL	METAL	DATE	2012-Jul-18	PART NAME	ASSEMBLY			
	D					APPROVED	DRAWN	Chris	SCALE	1.000
									UNIT	MM

1 2 3 4 5